



Controls

- Precise electronic temperature control
- Automatic cooking/minute timer
- Capacitive touch controls
- Electronic clock
- Interior light

Performance Features

- Grill **3000W + 2700W**
- AeroTech™ Technology
- Energy class **A**
- Automatic rapid pre-heat
- Total Capacity **71L + 45L**
- Usable Capacity **58L + 36L**
- **8 Programmes** on both ovens

Safety

- Advanced cooling system
- Balanced oven door
- Control panel keylock
- Cool touch door
- Non-tip shelves

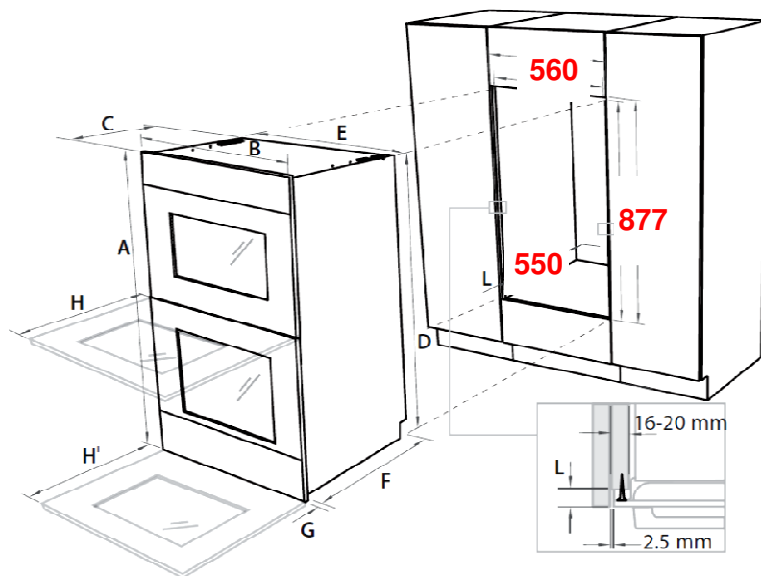
Easy Cleaning

- Acid Resistance-Graphite Enamel
- Drop Down Element
- Removable shelf runners
- Removable oven door/ inner glass

Programmes

- Bake
- Defrost
- Fan Bake
- Fan Forced
- Fan Grill
- Grill
- Warm
- Light

8/8 Oven functions: Top:
Bottom:



Product Dimensions (mm)

Depth	565
Height	888
Width	595

CAVITY DIMENSIONS (mm)

Depth	550 (min) - 560 (max)
Height	877 (min) - 893 (max)
Width	560 (min) - 600 (max)