

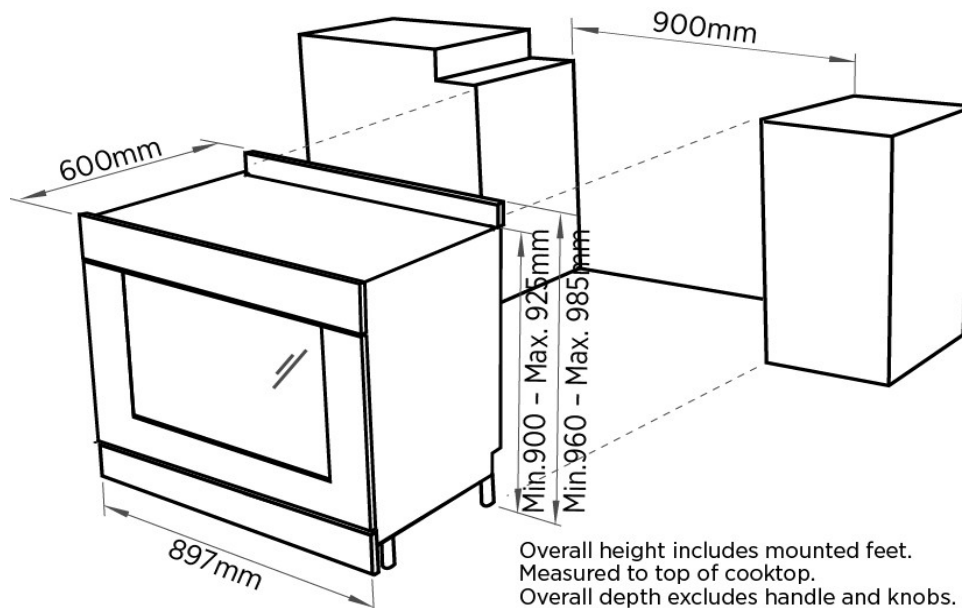


Accessories

- Kick strip optional
- Flat wire shelf
- Grill Rack
- Roasting dish
- Oven shelves
- Step down wire shelf
- Storage drawer
- Telescopic slide runners
- Wok stand

Cooking Modes

- A** Class Energy Consumption
- 120L** Usable Capacity
- 9** Cooking Programmes
- Flame failure protection
- Gas burners 5
- LPG and Natural Gas compatible
- Splash back
- 2 X Semi-rapid burners 1.2kW
- Cast iron trivets
- 3 x Dual Burner (MJ/hr) 4,5kW
- Electronic ignition



Overall height includes mounted feet.
 Measured to top of cooktop.
 Overall depth excludes handle and knobs.