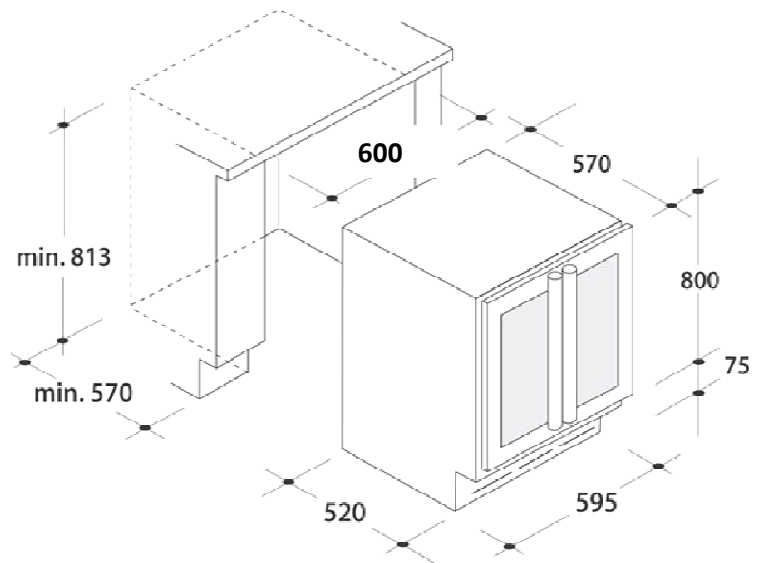


CANDY BUILT-IN WINE COOLER

MODEL:CCVB60D



KEY FEATURES

Control type	Digital
Energy efficiency class - NEW (2010/30 / EC)	D
Product name / Commercial Code	CCVB 60D
Internal article number	34900428
Capacity 0.75l (bordeaux bottles)	38

ESTHETIC

Panels Material	Plastic
Glass Type	transparent
Color furniture	Black
frame	Do not
handle Material	Inox

PERFORMANCE

Alarm signal / Malfunction	No signal
Voltage (V)	220-240
Energy consumption (kWh / d)	0.79
Noise level (dB (A) re 1 pW)	39

TECHNICAL CHARACTERISTICS

Technology	Fan
reversible Door	Do not
Material shelves	Wood
Number of shelves	5 + 5
climate class	N
Lighting	LED

DIMENSIONS

Width (mm)	595
Weight (kg)	29.5
Depth (mm)	570
Height (mm)	813