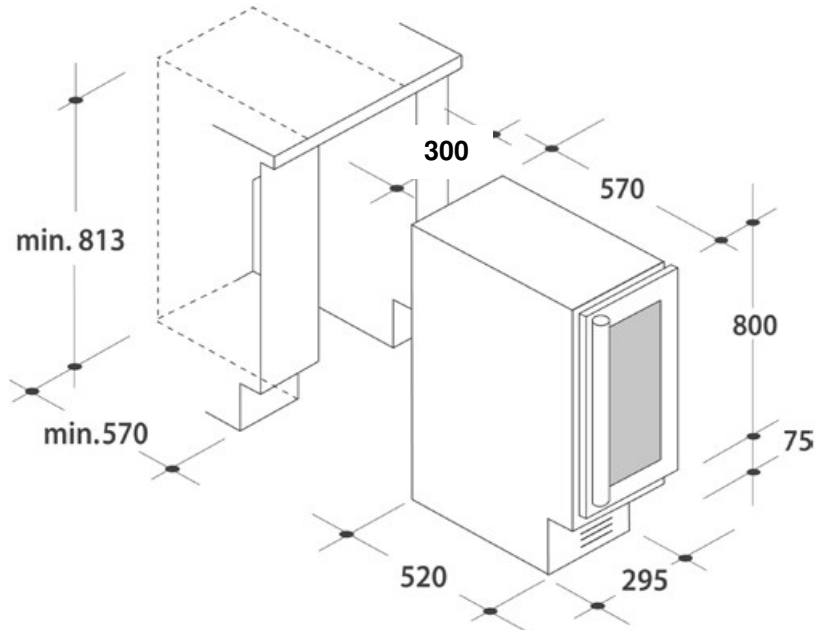


## CANDY BUILT-IN WINE COOLER MODEL:CCVB30



### KEY FEATURES

Control type	<b>Digital</b>
Energy efficiency class - NEW (2010/30 / EC)	<b>B</b>
Product name / Commercial Code	<b>CCVB 30</b>
Internal article number	<b>34900422</b>
Capacity 0.75l (bordeaux bottles)	<b>19</b>

### ESTHETIC

Panels Material	<b>Plastic</b>
Glass Type	<b>transparent</b>
Color furniture	<b>Black</b>
frame	<b>Do not</b>
handle Material	<b>Inox</b>

### TECHNICAL CHARACTERISTICS

Technology	<b>Fan</b>
reversible Door	<b>Yes</b>
Material shelves	<b>Wood</b>
Number of shelves	<b>6</b>
climate class	<b>n</b>
Lighting	<b>LED</b>

### DIMENSIONS

Width (mm)	<b>295</b>
Weight (kg)	<b>30</b>
Depth (mm)	<b>570</b>
Height (mm)	<b>813</b>