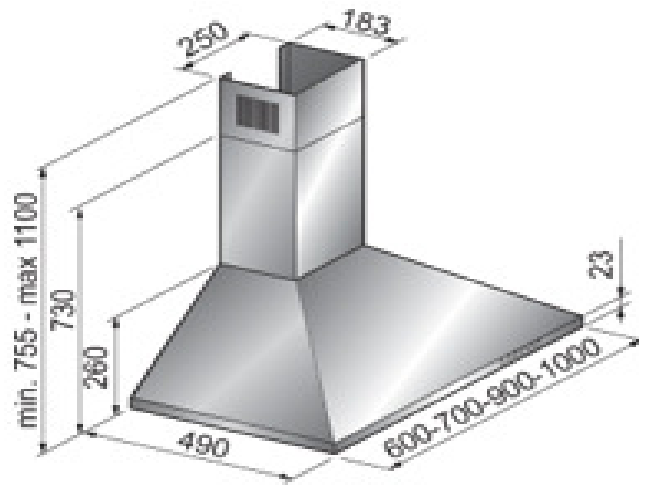




Dimension 600-900 mm

- Inox - White - Black
- 2 x 20 W Halogens - 2 x 40 W Bulbs
- Aluminium panels
- 15cm extracting hole
15cm ducting hole



Main control		
Luminous soft touch	Timer Booster Clean Air Filter Saturation 4 Speeds	
Push buttons	3 Speeds	

Motor fan			
HC3	773*	459	53*
	664**		62**