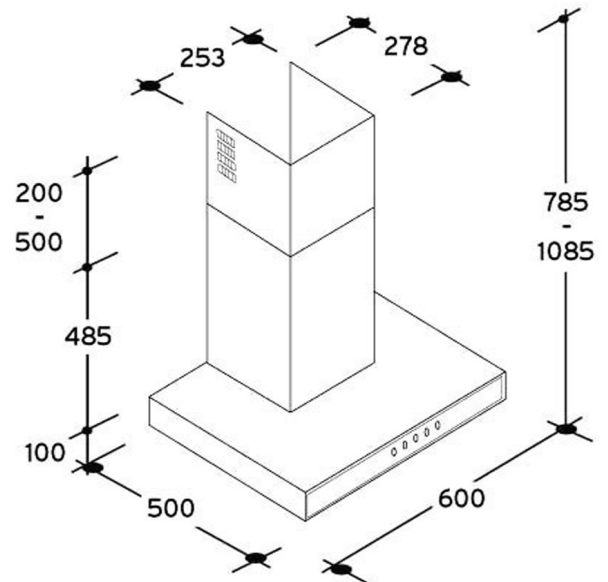


CANDY Cooker Hood

Model: CMD64X



KEY FEATURES & BENEFITS:

- 4 Speeds Settings
- Extraction Flow Rate 700m³/h
- Electronic Touch Controls
- Extraction or Re-circulation Modes

FEATURES

Extraction Flow Rate	700 m ³ /h
Speeds	4
Halogen Lights	2 x 20w
Extraction or Re-Circulation	YES
Turbo Motor	140 w
Electronic Touch Button Controls	YES
LED Filter Indication	YES
Metal Grease Filter	3
Charcoal Filters	1 optional
Delayed Switch Off	YES

TECHNICAL SPECIFICATION

Voltage	230 V
Air Outlet Diameter	150 mm
Filter Code	ACM9
Width	600 mm
Depth	500 mm
Height	785 - 1085 mm
Packaging dimensions	610 x 720 x 670
Gross Weight	22.5
Net Weight	18
Frequency	50 HZ
Noise Level dB(A)	42
No Return Valve	YES