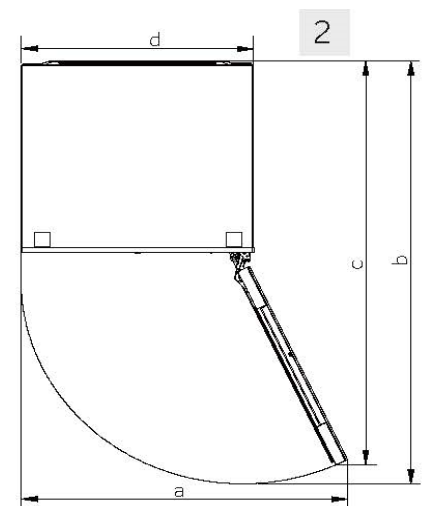
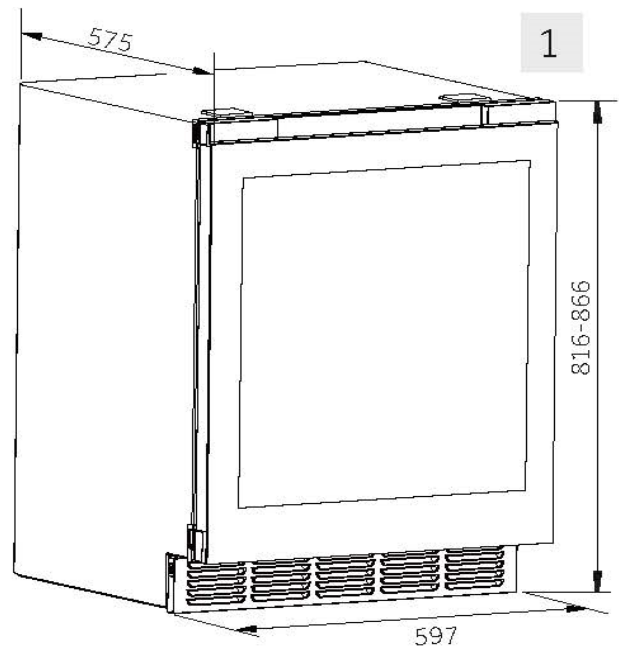


Specifications

- Installation: **Built-In**
- Capacity: **44 Btl**
- Number of Temperature Zones: **2**
- Dimensions Height (cm): **81,6cm**
- Dimensions Width (cm): **57,5cm**
- Dimensions Depth (cm): **59,7cm**
- **Fresh Air** Function
- **Anti UV** Glass
- **5** Wooden shelves
- Digital control type
- **LED** Light
- **DIRECT** Cooling Technology
- Main Colour: **Black**

Performance

- Climate Class: **ST/SN/N**
- Energy Efficiency Class: **E**
- Noise Level: **(dB) 35**
- Energy Consumption Class: **(kWh/A) 80**



Measurement: mm	HUC44GDEH1
a	714
b	1905
c	1900
d	597