

e elitair S4 MGX



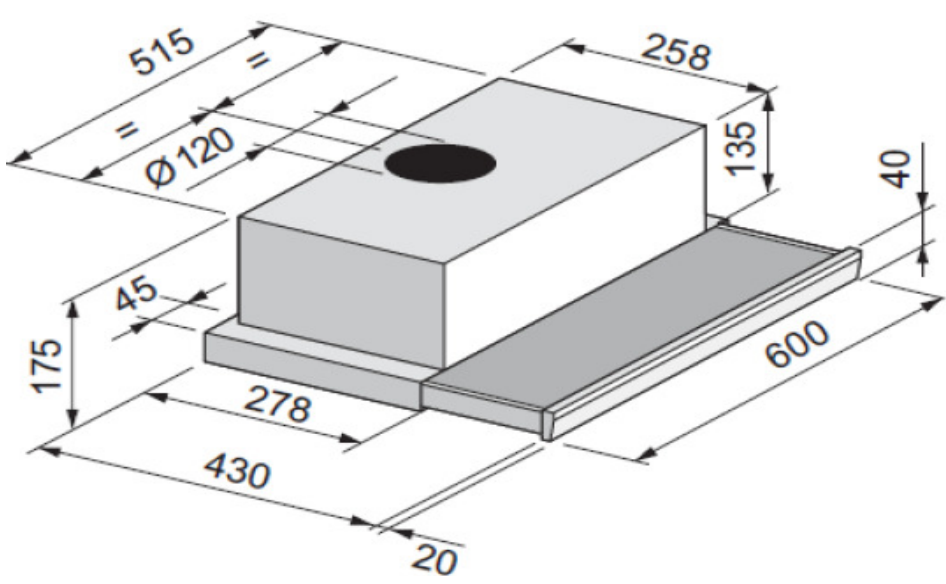
Main control



Slider **3 Speeds**

Motor fan

| 2M | 336▪ 303▪▪ | 221° | 60* 70** |
|----|--|-----------------------------|--|
| | ▪ IEC 61591, free airflow ▪▪ IEC 61591, evacuation mode | ° IEC 61591, pressure °° | * IEC 60704-2-13, acustic pressure ** IEC 60704-2-13, acustic power |



| | |
|--|-------------------------------------|
| | Dimension 500-550-600-900 mm |
| | Inox - White - Black - Metal grey |
| | 2 x 40 W Bulbs - 2 x 20 W Halogens |
| | Aluminium panels - St. steel panels |
| | 120 mm |