

# Integrated French Door Refrigerator Freezer, 90cm

Series 7 | Integrated

Panel Ready | French hinge

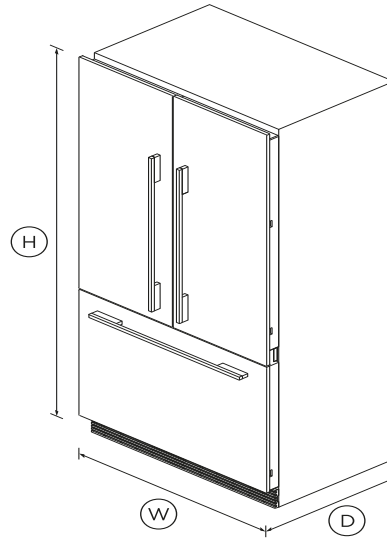


This large capacity refrigerator with bottom freezer seamlessly integrates into your kitchen, fitting flush into your cabinetry.

- ActiveSmart™ technology helps keep food fresher for longer by constantly maintaining the ideal temperature.
- Customise with your own kitchen cabinetry or purchase our stainless steel door panel accessory
- Spacious bottom freezer with full extension drawer gives easy access to frozen goods.

## DIMENSIONS

|        |         |
|--------|---------|
| Height | 1798 mm |
| Width  | 896 mm  |
| Depth  | 610 mm  |



## FEATURES & BENEFITS

### ActiveSmart™ Foodcare

ActiveSmart™ Foodcare learns how you live. It's technology which understands how you use your refrigerator and adjusts temperature, airflow and humidity inside to help keep food fresher for longer.

### Simple storage

This refrigerator is designed to make it simple for you to store, access and remove food. Storage bins give you full access inside when they're pulled open and can be easily removed to clean.

Our flexible shelving also gives you more storage options.

### Clever energy

Your fridge adapts to daily use by cooling and defrosting only when needed. This ActiveSmart™ technology means better energy efficiency without compromising on food care.

## SPECIFICATIONS

### Accessories (sold separately)

|                              |       |
|------------------------------|-------|
| Contemporary round handle    | 25329 |
| Contemporary square handle   | 24626 |
| Square fine aluminium handle | 25853 |
| Square fine black handle kit | 25898 |
| Stainless steel door panel   | 25774 |

### Capacity

|                      |      |
|----------------------|------|
| Freezer              | 176L |
| Refrigerator         | 349L |
| Total gross capacity | 525L |

### Consumption

|               |             |
|---------------|-------------|
| Energy rating | 3.5 stars   |
| Energy usage  | 420kWh/year |

### Freezer features

|                   |   |
|-------------------|---|
| Bottle chill      | • |
| Door alarm        | • |
| Fast freeze       | • |
| Freezer bins      | 2 |
| LED lighting      | • |
| Large plastic bin | • |

- Slide Out Pastry Tray •
- Small plastic bins •

**Performance**

- ActiveSmart™ Foodcare •
- Adaptive defrost •
- Frost free freezer •
- Humidity control system •
- Inverter controlled compressor •
- Sabbath mode •

**Product dimensions**

|        |                |
|--------|----------------|
| Depth  | <b>610 mm</b>  |
| Height | <b>1798 mm</b> |
| Width  | <b>896 mm</b>  |

**Refrigerator features**

|                                  |          |
|----------------------------------|----------|
| Adjustable door shelves          | <b>6</b> |
| Adjustable glass shelves         | <b>3</b> |
| Covered door shelves             | <b>2</b> |
| Deli storage bins                | •        |
| Door alarm                       | •        |
| Fruit and vegetable bins         | <b>2</b> |
| Full extension runners           | •        |
| LED lighting                     | •        |
| SmartTouch control panel         | •        |
| Soft close doors                 | •        |
| Split level cantilevered shelves | •        |
| Stackable bottle holders         | <b>4</b> |

**Warranty**

|                          |                |
|--------------------------|----------------|
| Parts and labour         | <b>2 years</b> |
| Sealed system parts only | <b>5 years</b> |

|     |       |
|-----|-------|
| SKU | 25827 |
|-----|-------|

TEST The product dimensions and specifications in this page apply to the specific product and model. Under our policy of continuous improvement, these dimensions and specifications may change at any time. You should therefore check with Fisher & Paykel's Customer Care Centre to ensure this page correctly describes the model currently available. © Fisher & Paykel Appliances Ltd 2020

**Other product downloads available at fisherpaykel.com**

- [↓](#) User Guide
- [↓](#) User Guide
- [↓](#) Data Sheet
- [↓](#) Data Sheet
- [↓](#) Service & Warranty Booklet
- [↓](#) Installation Guide
- [↓](#) Installation Guide
- [↓](#) Installation Guide
- [↓](#) Resources (zip)



**A PEACE OF MIND SALE**

**24 Hours 7 Days a Week Customer Support**

**T 1300 650 590 W www.fisherpaykel.com**