

Integrated Column Refrigerator, 76cm

Series 9 | Integrated

Panel Ready | Left hinge

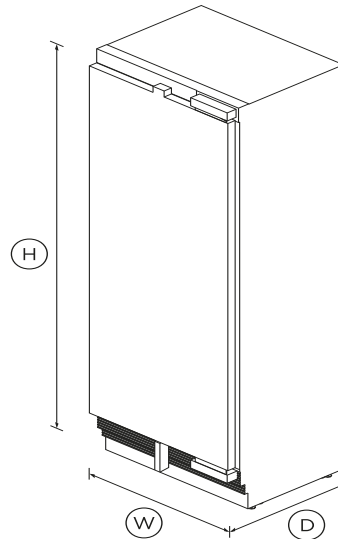


Install it separately or pair with another Column for true design freedom - this model is right hinge with stainless steel interior.

- ActiveSmart™ technology helps keep food fresher for longer by constantly maintaining the ideal temperature.
- Variable Temperature Zone lets you change a compartment to Fridge, Pantry or Chill for optimal storage
- Customise with your own kitchen cabinetry or purchase our stainless steel door panel accessory

DIMENSIONS

Height	2134 mm
Width	756 mm
Depth	610 mm



FEATURES & BENEFITS

Mix & match

Integrated Column Refrigeration gives you the freedom to mix and match. Different sized Column Fridges and Freezers can be installed separately or paired. Finish them with our stainless steel door panels or customise to match your own kitchen cabinetry.

Perfect fit

These models fit flush, with only 3mm gaps around them and no visible hinges or grilles. Our Integrated Column models can be seamlessly hidden behind your cabinetry, or you can purchase

our stainless steel door panel.

Clever energy

Our ActiveSmart™ Foodcare Fridge Freezers adapt to daily use by cooling and defrosting only when needed. This means your fridge uses the energy it needs without compromising on food care.

Appealing illumination

Bright LEDs light up each ceiling, shelves, bins and trays in both refrigerator and freezer, making it easy to find your food and creating a welcoming glow in your kitchen for those midnight snacks.

Design quality

The premium design and quality finish includes a steel interior lining as well as full extension metal shelf runners for easy access, and robust glass shelving.

Easy install

Integrated Column Refrigerators and Freezers have been developed to make their installation easy. The joiner kit is included when pairing refrigerators and freezers. All models come with front adjustable levelling feet and they've been designed to easily slide into place as separate units.

SPECIFICATIONS

Accessories (sold separately)

1220mm Stainless steel toe	25395
1372mm Stainless steel toe kick	25397
1524mm Stainless steel toe	25399
762mm Stainless steel toe kick	25391
Contemporary round handle	25324
Contemporary square handle	25322
Joiner kit	25328
Stainless steel door panel	25314

Stainless steel door panel **25314**

Capacity

Total gross **498L**

Total gross capacity **498L**

Consumption

Energy rating **227**

Energy star rating **3.5**

Energy usage **227kWh**

Freezer features

LED bin lighting •

LED ceiling lighting •

LED side lighting •

SmartTouch interface at •

Performance

ActiveSmart™ Foodcare •

ActiveSmart™ technology •

Adaptive defrost •

Dual evaporator •

Frost free •

Frost free freezer •

Humidity control system •

Inverter controlled compressor •

Sabbath mode •

Variable food modes **Pantry; Fridge; Chill**

Power Requirements

Rated current **10A**

Supply frequency **50Hz**

Supply voltage **230V**

Product dimensions

Depth **610 mm**

Height **2134 mm**

Width **756 mm**

Refrigerator features

Adjustable door shelves **4**

Adjustable glass cantilevered •

Covered door shelves **1**

Door alarm •

Gallon door shelves **1**

LED bin lighting •

LED ceiling lighting •

LED side lighting •

SmartTouch interface at •

Soft-close fruit and vegetable **4**

Stackable bottle holders **4 x clip in, 4 x flexible**

Warranty

Sealed system parts only **5 years**

SKU **24883**

TEST The product dimensions and specifications in this page apply to the specific product and model. Under our policy of continuous improvement, these dimensions

and specifications may change at any time. You should therefore check with Fisher & Paykel's Customer Care Centre to ensure this page correctly describes the model currently available. © Fisher & Paykel Appliances Ltd 2020



T 1300 650 590 W www.fisherpaykel.com

Other product downloads available at fisherpaykel.com

- [↓](#) User Guide
- [↓](#) Service & Warranty Booklet
- [↓](#) Installation Guide
- [↓](#) Data Sheet - PDF
- [↓](#) Data Sheet - PDF
- [↓](#) Data Sheet - PDF
- [↓](#) 2D CAD File - DWG (AutoCAD)
- [↓](#) 2D CAD File - DXF
- [↓](#) Data Sheet - PDF
- [↓](#) Planning Guide - PDF
- [↓](#) Specification Guide - PDF
- [↓](#) Data Sheet - PDF
- [↓](#) Data Sheet - PDF
- [↓](#) 2D CAD File - DWG (AutoCAD)
- [↓](#) 2D CAD File - DXF
- [↓](#) 2D CAD File - DWG (AutoCAD)
- [↓](#) 2D CAD File - DXF

A PEACE OF MIND SALE
24 Hours 7 Days a Week Customer Support