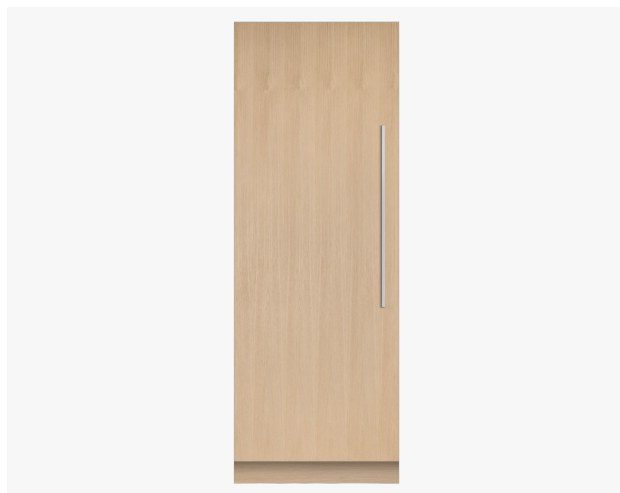


Integrated Column Refrigerator, 76cm, Water

Series 9 | integrated

Panel Ready | Left hinge



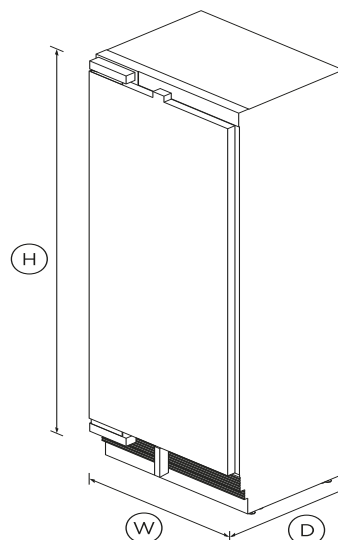
Install it separately or pair with another Column for seamless kitchen integration - this model is right hinge with stainless steel interior.

- ActiveSmart™ technology helps keep food fresher for longer by constantly maintaining the ideal temperature
- Two separate Variable Temperature Zones. Choose from Fridge, Pantry or Chill
- Internal water dispenser for convenient access to fresh, chilled water

- Customise with your own kitchen cabinetry or purchase our stainless steel door panel accessory

DIMENSIONS

Height	2134 mm
Width	756 mm
Depth	610 mm



FEATURES & BENEFITS

Variable temperature zones

Create the perfect climate by storing food at their optimal temperature. Change a compartment to Fridge, Pantry or Chill.

Internal water dispenser

This integrated model features a slimline water dispenser, located on the inside for an uninterrupted exterior. The flush-fit

design of the water dispenser maximises internal storage space, allowing the shelves to be adjusted to suit your needs. Enjoy a continuous flow of temperature-controlled chilled water to fill almost any size or shape of vessel.

Mix & match

Integrated Column Refrigeration gives you the freedom to mix and match refrigerators and freezers based on your needs - or install separately. They can be customised with your kitchen cabinetry for a seamless look, or finished with one of our stainless steel door panels.

Clever energy

<>

Appealing illumination

Bright LEDs light up the ceiling, shelves, bins and trays in both refrigerator and freezer, creating a welcoming glow in your kitchen at night and using less power than comparable halogen lights.

Design quality

<>

Perfect fit

<>

SPECIFICATIONS

Accessories (sold separately)

1067mm Stainless steel toe	25393
1220mm Stainless steel toe	25395
1372mm Stainless steel toe kick	25397
1524mm Stainless steel toe	25399
1676mm Stainless steel toe	26073
1828mm Stainless steel toe kick	26074
1981mm Stainless steel toe kick	26075
2134mm Stainless steel toe	26076

762mm Stainless steel toe kick	25391
Contemporary round handle	25324
Contemporary square handle	25322
Hinge change (from left hinge)	848190
Hinge change (from right hinge)	848189
Joiner kit	25328
Replacement water filter	847200
Square fine aluminium handle	25862
Square fine black handle kit	25907
Stainless steel door panel	25314 (right hinge); 25315 (left

Capacity

Refrigerator	498L
Total gross	498L

Performance

ActiveSmart™ Foodcare	•
Adaptive defrost	•
Dual evaporator	•
Frost free	•
Humidity control system	•
Inverter controlled compressor	•
Sabbath mode	•
Variable food modes	Pantry; Fridge; Chill
Variable temperature zones	2

Power Requirements

Rated current	10A
Supply frequency	50Hz
Supply voltage	230V

Product dimensions

Depth	610 mm
Height	2134 mm
Width	756 mm

Refrigerator features

Adjustable door shelves	4
Adjustable glass cantilevered	•
Covered door shelves	1
Door alarm	•
Gallon door shelves	1
Internal water dispenser	•
LED bin lighting	•
LED ceiling lighting	•
LED side lighting	•
SmartTouch interface at	•
Soft-close fruit and vegetable	4
Stackable bottle holders	4 x clip in; 4 x flexible
Wi-Fi capable	•

Warranty

Parts and labour	5 years
Sealed system parts only	5 years

SKU	26102
-----	-------

and specifications may change at any time. You should therefore check with Fisher & Paykel's Customer Care Centre to ensure this page correctly describes the model currently available. ? Fisher & Paykel Appliances Ltd 2020

TEST The product dimensions and specifications in this page apply to the specific product and model. Under our policy of continuous improvement, these dimensions

Other product downloads available at fisherpaykel.com



User Guide



Service & Warranty Booklet



Installation Guide



Resources - RS7621SLHK1 Custom Panel (zip)



Resources - RS7621SLHK1 (zip)



Resources - RS7621SRHK1 Custom Panel (zip)



Resources - RS7621SRHK1 (zip)



A PEACE OF MIND SALE

24 Hours 7 Days a Week Customer Support

T 1300 650 590 **W**www.fisherpaykel.com