

Freestanding French Door Refrigerator Freezer, 90cm, 614L, Ice & Water

Series 7 | Contemporary

Black Stainless Steel | French hinge

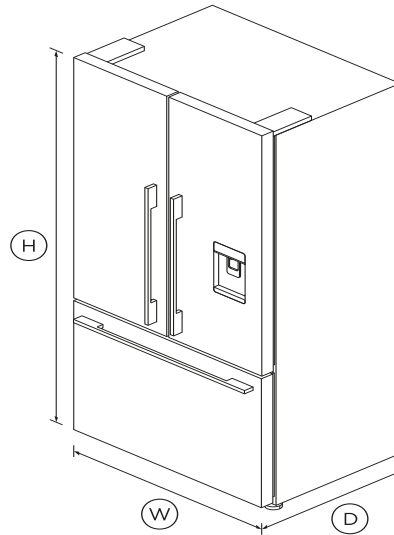


Our largest capacity French Door model has intuitive, flexible storage space in a striking black stainless steel finish.

- ActiveSmart™ technology helps keep food fresher for longer by constantly maintaining the ideal temperature.
- Spacious bottom freezer with full extension drawer gives easy access to frozen goods

DIMENSIONS

Height	1790 mm
Width	900 mm
Depth	695 mm



FEATURES & BENEFITS

Clever energy

Your refrigerator adapts to daily use by cooling and defrosting only when needed. This means it uses the energy it needs without compromising on food care.

Easy cleaning

No more dirty marks with our EZKleen feature for stainless steel fridges. Anti-fingerprint coating means you simply wipe clean any finger marks. Spill-safe secure glass shelves easily capture any drips or leaks.

Humidity control

Your fruit and veges need different environments. The humidity control slides in each storage bin create a microclimate that helps keep food fresher for longer.

Design quality

Our refrigerators are designed and built using the best quality materials. We use real stainless steel, and solid glass for the interior shelving.

Ice maker

Fresh ice is always available for you in a dedicated freezer bin. Simply turn it off to free up freezer space or, during busy times, boost ice production by up to 30%.

Simple storage

This refrigerator is designed to make it simple for you to store, access and remove food. Storage bins give you full access inside when they're pulled open and can be easily removed to clean. Our flexible shelving also gives you more storage options.

SPECIFICATIONS

Accessories (sold separately)

Matching Replacement Water	Part number 836848
----------------------------	--------------------

Capacity

Freezer	181L
Refrigerator	433L
Total gross capacity	614L

Consumption

Energy rating	3.5 stars
Energy star rating	3.5
Energy usage	453kWh/year

Freezer features

- Bottle chill •
- Built-in ice maker •
- Door alarm •
- Fast freeze •
- Freezer bins **2**
- Ice Boost •
- Ice bin and scoop •
- LED lighting •
- Large plastic bin •

Performance

- ActiveSmart™ Foodcare •
- ActiveSmart™ technology •
- Adaptive defrost •
- Frost free •
- Frost free freezer •
- Inverter controlled compressor •
- R600a refrigerant •

Product dimensions

- Depth **695 mm**
- Height **1790 mm**
- Height to top of cabinet **1790 mm**
- Minimum air clearance - at rear **30 mm**
- Minimum air clearance - each **20 mm**
- Minimum air clearance - on top **50 mm**
- Width **900 mm**

Refrigerator features

- Adjustable door shelves **6**
- Adjustable glass shelves **2**
- Covered door shelves **2**
- Deli storage bins **1**
- Door alarm •
- Front levelling feet •
- Fruit and vegetable bins **2**
- Full extension drawers •
- Humidity control crispers •
- LED lighting •
- Rear rollers •
- SmartTouch control panel •
- Stackable bottle holders **4**
- Ultra slim water dispenser •

Warranty

- Parts and labour **2 years**
- Sealed system parts only **additional 3 years**

SKU 25303

TEST The product dimensions and specifications in this page apply to the specific product and model. Under our policy of continuous improvement, these dimensions and specifications may change at any time. You should therefore check with Fisher & Paykel's Customer Care Centre to ensure this page correctly describes the model currently available. ? Fisher & Paykel Appliances Ltd 2020

Other product downloads available at fisherpaykel.com

- [↓](#) User Guide
- [↓](#) Service & Warranty Booklet
- [↓](#) Installation Guide
- [↓](#) Resources (zip)



A PEACE OF MIND SALE

24 Hours 7 Days a Week Customer Support

T 1300 650 590 W www.fisherpaykel.com