

Freestanding Refrigerator Freezer, 63.5cm, 380L, Ice & Water

Series 7 | Contemporary

Stainless Steel | Right Hinge

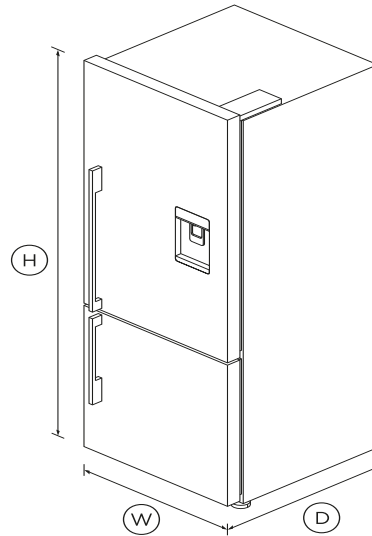


With generous storage and stylish stainless steel design for a timeless look. Perfect for smaller kitchens.

- ActiveSmart™ technology helps keep food fresher for longer by constantly maintaining the ideal temperature.
- Door water dispenser and internal ice maker
- Spacious bottom freezer with full extension drawer gives easy access to frozen goods.

DIMENSIONS

Height	1715 mm
Width	635 mm
Depth	695 mm



FEATURES & BENEFITS

ActiveSmart™ Foodcare

Every time you open your refrigerator, the temperature around your food changes. ActiveSmart™ foodcare adjusts airflow to create a stable temperature, helping your food stay fresher for longer.

Water on tap

The slimline dispenser makes it easy to fill almost any sized jug or vessel with cool filtered water and doesn't take up any storage space in your refrigerator.

SPECIFICATIONS

Accessories (sold separately)

Joiner kit	Part number 819264
Replacement water filter	Models 24xxx = part no.
Surround Kit (Joined left/right)	Part number 23982
Surround Kit (Left Hand)	Part number 23980
Surround Kit (Right Hand)	Part number 23981

Capacity

Freezer	111L
Refrigerator	269L
Total net volume	380L

Consumption

Energy consumption	327kWh/year
Energy rating	F

Freezer features

Bottle chill	•
Built-in ice maker	•
Door alarm	•
Fast freeze	•
Ice Boost	•
Ice bin and scoop	•
Ice tray	2
Large plastic bins	•
Small plastic bins	2

Performance

ActiveSmart™ Foodcare	•
Adaptive defrost	•
Frost free freezer	•
Humidity control system	•
Noise emissions	42dBA
Noise emissions class	D
Sabbath mode	•

SKU

25969

TEST The product dimensions and specifications in this page apply to the specific product and model. Under our policy of continuous improvement, these dimensions and specifications may change at any time. You should therefore check with Fisher & Paykel's Customer Care Centre to ensure this page correctly describes the model currently available. ? Fisher & Paykel Appliances Ltd 2020

Product dimensions

Depth	695 mm
Height	1715 mm
Width	635 mm

Refrigerator features

Adjustable door shelves	4
Adjustable glass shelves	4
Covered door shelves	2
Door alarm	•
Egg Trays	•
Fruit and vegetable bins	2
SmartTouch control panel	•
Stackable bottle holders	2
Ultra slim water dispenser	•

Warranty

Parts and labour	5 years
Sealed system parts only	5 years

Other product downloads available at fisherpaykel.com

User Guide



Service & Warranty Booklet



Installation Guide



Resources (zip)

**A PEACE OF MIND SALE****24 Hours 7 Days a Week Customer Support****T 08000 886 605 Wwww.fisherpaykel.com**