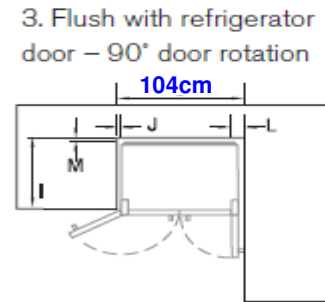
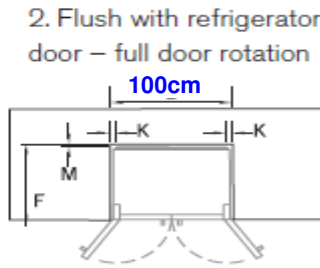
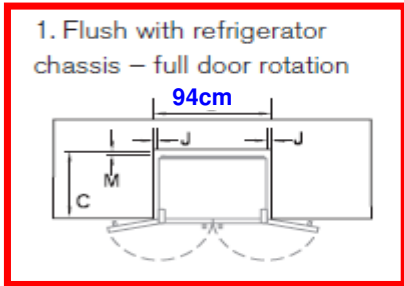
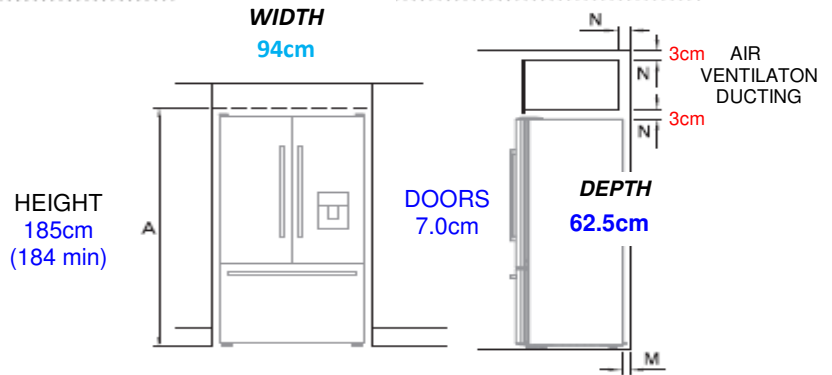


CABINTRY DIMENSIONS

GOLIATH



RF540ADUSX4



RF610ADX4



Refrigerator

EZKleen Stainless Steel flat door
 Designer with Designer handle

Capacity: 433 litres (14.58 cu.ft) Refrigerator ** 413 lt Refrigerator (with I&W)
 181 litres (4.52 cu.ft) Freezer ** 128 lt Freezer (With I&W)
 614 litres (19.10 cu.ft) Total ** 533 lt Total (With I&W)

Energy rating: **A+**

Energy usage: 390kW per year

Noise level: 43dB

Performance: Active Smart™ system, Frost free freezer, Adaptive defrost, Humidity control system, Humidity control lid, Sabbath mode

Refrigerator: Water dispenser, Door alarm, 4 Adjustable glass shelves, Bottle rack, 2 Full width adjustable door shelves, 2 Half width adjustable door shelves, 2 Covered door shelves, Halogen light

Freezer: Built-in ice maker, 1 Large plastic bin, 2 Small plastic bins, Ice bin and scoop, 1 Centre roll out tray, Door alarm

Accessories: Water filter (part number 836848)

For I&W Models use HALF INCH TAP

DOOR CLOSING STYLE: Soft closing

REFRIGERATOR DIMENSIONS:

H 179.0cm X W 90cm X D 69.5cm

*DEPTH: 62.5cm + 7.0cm (DOORS)

1) EXCLUDING HANDLES

2) INCLUDING EVAPORATOR (BACK)