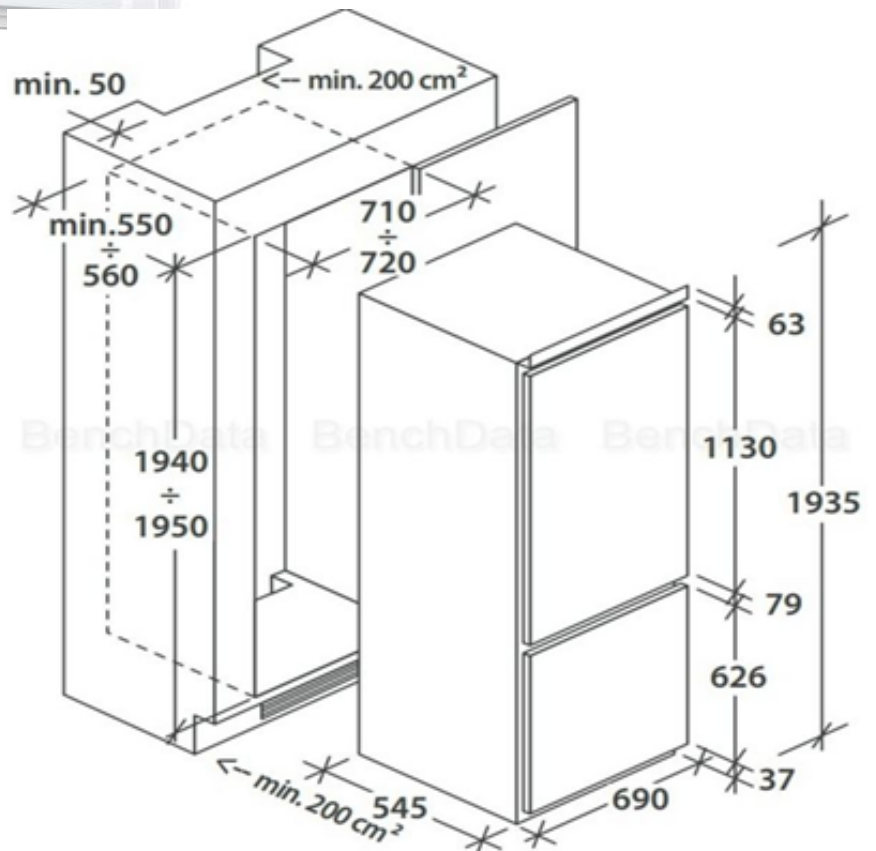




- Type: Combi **69cm**
- **No Frost** Cooling Technology
- Total Capacity: **371lt**
- Refrigerator Capacity: **285lt**
- Freezer Capacity: **86lt**
- **WiFi** Connection with **hOn**
- Automatic Defrost System
- Chromed Wine rack
- Glass Shelves
- 3 Freezer Drawers
- 1 Stay Fresh zone 0°C
- **Led** Lights
- 2 Fruits/Vegetables Drawer
- 4 Crystal clear door Shelves
- 3+1 adjustable shelves
- Storage period in event of power failure: **9 hours**
- Energy Class: **E - OLD Energy A++**
- **Inverter Compressor**
- Annual Energy Efficiency: **242 kW**
- Noise Level: **37dB**



DOOR CUT DIMENSIONS:

R/TOR DOOR: W-74.5cm

FREEZER DOOR: W-74.5cm - H-70cm