

# Freestanding Range Cooker, Dual Fuel, 120cm, 6 Burners

Series 7 | Contemporary

Stainless Steel

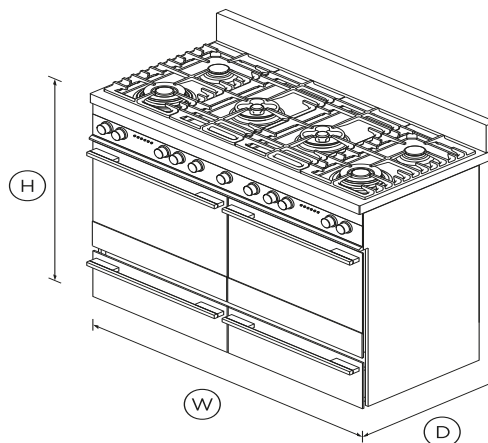


A striking addition to your kitchen, with six powerful gas burners and the cooking flexibility of two convection ovens.

- Six burner gas cooktop with two wok burners
- Two independent 71L total capacity convection ovens
- Seven oven functions in each oven

## DIMENSIONS

Height	915 - 927 mm
Width	1195 mm
Depth	600 mm



## FEATURES & BENEFITS

### Cooking flexibility

This freestanding range cooker has seven functions with pre-set temperatures, including Bake, Grill and Fan Forced, allowing you to use a variety of cooking styles.

### Sized to suit

Designed for multi-shelf cooking, this freestanding range cooker has two 71L cavities, giving you enough room for a large family roast and all the trimmings.

## SPECIFICATIONS

### Accessories

Cast iron griddle pan	Part 573897
Fat filter	2
Flat brushed baking tray	2
Flat wire shelf	2
Grill pan handles	1 set
Roasting dish and grill rack set	2
Step down wire shelf	2
Wok stand	•

### Capacity

Shelf positions	6 per cavity
Total capacity	71L + 71L
Usable capacity	58L + 58L

### Cleaning

Acid resistant graphite enamel	•
Drop down grill element	•
Removable oven door	•
Removable oven door inner	•
Removable shelf runners	•

### Consumption

Energy rating	A, A
---------------	------

### Controls

Automatic cooking/minute	•
--------------------------	---

- Electronic clock •
- Satin chrome control dials •

#### Oven features

- Electronic ignition •
- Storage compartment •
- Warming drawer **Moist - Crisp setting**

#### Oven functions

- Bake •
- Defrost •
- Fan bake •
- Fan forced •
- Fan grill •
- Grill •
- Number of functions **7 + light**
- Warm •

#### Oven performance

Grill power **2000W**

#### Power requirements

Amperage **23.04A**

#### Product dimensions

Depth **600 mm**  
 Height **915 - 927 mm**  
 Width **1195 mm**

#### Hob Features

- LPG/Natural gas compatible •

#### Hob Performance

- Cast iron trivets •
- Dual wok burner (outer/inner) **4.5kW/0.3kW**
- Number of burner elements **6 including 2 dual burners**
- Number of burners **6 including 2 dual burners**
- Semi-rapid burner **1.75kW**
- Wok burner **3.5kW**

#### Safety

- Advanced cooling system •
- Anti-tilt bracket •
- CoolTouch door •
- Flame failure •
- Flame failure system •
- Non-tip shelves •

#### Warranty

Parts and labour **5 years**

SKU **81570**

TEST The product dimensions and specifications in this page apply to the specific product and model. Under our policy of continuous improvement, these dimensions and specifications may change at any time. You should therefore check with Fisher & Paykel's Customer Care Centre to ensure this page correctly describes the model currently available. ? Fisher & Paykel Appliances Ltd 2020

#### Other product downloads available at fisherpaykel.com

- [↓](#) User Guide
- [↓](#) Service & Warranty Booklet
- [↓](#) Resources (zip)



#### A PEACE OF MIND SALE

**24 Hours 7 Days a Week Customer Support**

**T 08000 886 605 Wwww.fisherpaykel.com**