

Oven, 60cm, 16 Function, Self-cleaning

Series 9 | Contemporary

Stainless Steel

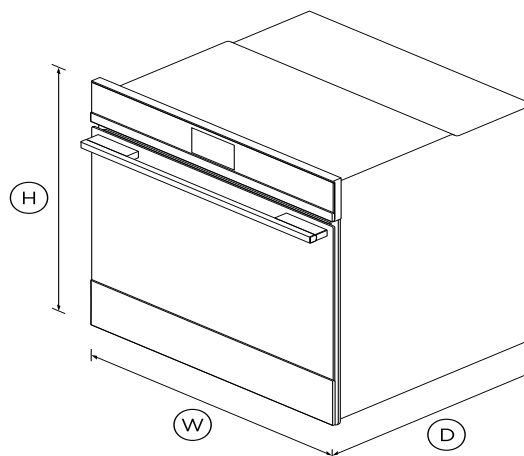


A highlight of the Fisher & Paykel collection, this Series 9 oven with touchscreen ensures that every dish is cooked to perfection.

- Touchscreen guided cooking capability offers helpful tips for different food types as well as full recipes
- 85L total capacity with 16 oven functions including Roast and Pastry Bake
- Moisture level control with ActiveVent™ technology
- Pyrolytic self-cleaning function breaks down food residue for an easy clean

DIMENSIONS

Height	598 mm
Width	596 mm
Depth	565 mm



FEATURES & BENEFITS

Cook with confidence

Our touchscreen interface provides an intuitive guided cooking experience that helps deliver perfect results, whether you've been cooking all your life or just starting out. Cook with a favourite method, a hero ingredient, or a go-to cooking function or recipe.

Generous capacity

With its market-leading 3 cu ft total capacity, you can create several perfectly cooked dishes at once using multiple shelves.

Multi-function flexibility

The cooking functions have each been tailored, tested, tweaked and perfected to ensure that no matter what you're cooking, you've got the right heat to match. A food probe precisely monitors cooking in real time, giving you complete control.

Exceptional performance

Our unique cooking technologies were developed to deliver perfect results. ActiveVent ensures optimised moisture levels, while AeroTech™ circulates heat evenly for a consistent temperature.

Self-cleaning

Our self-clean technology breaks down food residue at a very high temperature, leaving a light ash that's easily removed with a damp cloth. The enamel coated side racks don't need to be removed when using this function.

Design freedom

Available in an elegant black or a stylish black with stainless steel, this oven is designed to fit seamlessly into your kitchen. Premium materials and detailing to support a cohesive, considered kitchen design.

SPECIFICATIONS

Accessories

Flat brushed baking tray	1
Flat wire shelf	1
Food probe	1
Full extension sliding shelves	2 sets
Grill rack	1
Pyrolytic proof shelf runners	1 set
Roasting dish	1
Smokeless grill tray	1
Step down wire shelf	1

Capacity		Precise electronic temperature	•	Supply voltage	220 - 240V
Shelf positions	6	Sabbath mode with Federation	•		
Total capacity	85L	Functions			
Usable capacity	72L	Bake	•	Product dimensions	
		Classic bake	•	Depth	565 mm
		Fan bake	•	Height	598 mm
		Fan forced	•	Width	596 mm
		Fan grill	•	Safety	
		Grill	•	Advanced cooling system	•
		Number of functions	16	Balanced oven door	•
		Pastry Bake	•	Catalytic venting system	•
		Pizza bake	•	Control panel key lock	•
		Pyrolytic self-clean	•	CoolTouch door	•
		Rapid proof	•	Full extension sliding shelves	•
		Roast	•	Non-tip shelves	•
		Slow cook	•	Warranty	
		Vent bake	•	Parts and labour	5 years
		Warm	•		
Consumption		Performance			
Energy rating	A	ActiveVent™ system	•	SKU	81773
		AeroTech™ technology	•		
		Automatic rapid pre-heat	•	TEST The product dimensions and specifications in this page apply to the specific product and model. Under our policy of continuous improvement, these dimensions and specifications may change at any time. You should therefore check with Fisher & Paykel's Customer Care Centre to ensure this page correctly describes the model currently available. ? Fisher & Paykel Appliances Ltd 2020	
		Grill power	3000W		
		Whisper quiet cooking	•		
Controls		Power requirements			
Adjustable audio and display	•	Amperage	12.8 - 13.8A		
Automatic cooking/minute	•	Supply frequency	50Hz		
Automatic pre-set	•				
Celsius/Fahrenheit	•				
Connected Fisher and Paykel	•				
Electronic clock	•				
Electronic oven control	•				
Food probe	•				
Guided cooking by food type	•				
Interior light	2 x 25W halogen				
Intuitive touchscreen display	•				
Multi-language display	UK English, US English,				

Other product downloads available at fisherpaykel.com



User Guide



Service & Warranty Booklet



Installation Guide



Resources (zip)



A PEACE OF MIND SALE

24 Hours 7 Days a Week Customer Support

T 08000 886 605 [Wwww.fisherpaykel.com](http://www.fisherpaykel.com)