

Oven, 60cm, 7 Function

Series 5 | Contemporary

Stainless Steel

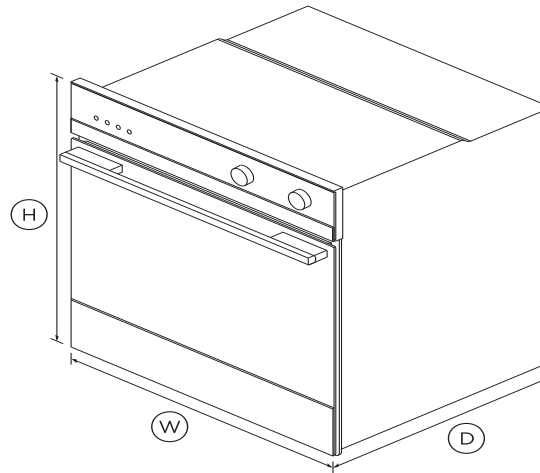


With generous capacity and beautiful contemporary styling, this built-in oven will complement your kitchen design perfectly.

- 85L total capacity
- Seven oven functions including Pizza Bake
- Optional non-tip, full-extension shelves for safe removal of hot dishes

DIMENSIONS

Height	598 mm
Width	596 mm
Depth	565 mm



FEATURES & BENEFITS

Multi-function Flexibility

This built-in oven has seven functions including Bake, Fan Bake and Pizza Bake, allowing you to use a variety of cooking styles.

Generous capacity

With a generous sized internal cavity of 85L total capacity, you can create several dishes at once using multiple shelves.

Consistently hot

Ideal for multi-shelf cooking, this built-in oven features

AeroTech™ - a technology that circulates heat evenly.

Fast and Easy Cleaning

Cleaning this built-in oven is quick and easy thanks to the catalytic liners which absorb oil and fat splashes during cooking.

Refined styling

With sophisticated handle styling and a white or brushed stainless steel finish, our built-in ovens are designed to match the rest of Fisher & Paykel's kitchen appliance family.

Safe and sound

The CoolTouch door of this built-in oven is safe to touch from the outside. Sturdy, fully extendable shelves slide all the way out, reducing the need for you to reach inside.

SPECIFICATIONS

Accessories

Catalytic panels	•
Chromed shelf runners	•
Contemporary round handle	Part 81645
Flat brushed baking tray	•
Flat wire shelf	•
Full extension sliding shelves	Optional (part 565048)
Roasting dish	•
Step down wire shelf	•
Telescopic sliding runners	2 sets

Capacity

Shelf positions	6
Total capacity	85L
Usable capacity	72L

Cleaning

- Acid resistant graphite enamel •
- Removable oven door •
- Removable oven door inner •
- Removable shelf runners •

Controls

- Automatic cooking/minute •
- Behind glass capacitive touch •
- Electronic clock •
- Interior light **25W (halogen)**

Functions

- Bake •
- Classic bake •
- Fan bake •
- Fan forced •
- Fan grill •
- Grill •
- Number of functions **7**
- Pizza bake •

Performance

- AeroTech™ technology •
- Grill power **3000W**
- Whisper quiet cooking •

Power requirements

- Amperage **12.8 - 13.8A**
- Supply frequency **50Hz**
- Supply voltage **220 - 240**

Product dimensions

- Depth **565 mm**
- Height **598 mm**
- Width **596 mm**

Safety

- Advanced cooling system •
- Balanced oven door •
- CoolTouch door •
- Non-tip shelves •

Warranty

- Parts and labour **2 years**

SKU **81742**

TEST The product dimensions and specifications in this page apply to the specific product and model. Under our policy of continuous improvement, these dimensions and specifications may change at any time. You should therefore check with Fisher & Paykel's Customer Care Centre to ensure this page correctly describes the model currently available. ? Fisher & Paykel Appliances Ltd 2020

Other product downloads available at fisherpaykel.com

- [↓](#) User Guide
- [↓](#) Service & Warranty Booklet
- [↓](#) Installation Guide
- [↓](#) Resources (zip)



A PEACE OF MIND SALE

24 Hours 7 Days a Week Customer Support

T 1300 650 590 W www.fisherpaykel.com