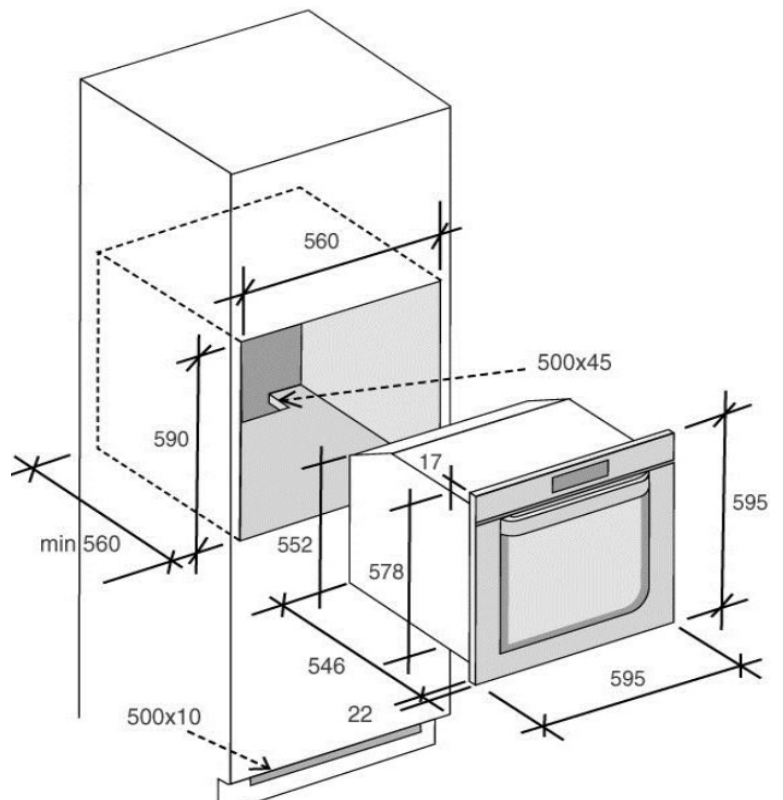




OVEN FEATURES

- **WiFi Connection**
- A' Class Energy Efficiency
- 70lt Capacity
- Full Touch Digital Display
- Digital Thermostat Display
- Pyrolytic Embossed Cavity
- Halogen & Led Lighting
- 4 Glass Safety Door System
- Soft Closing Door System
- 2 Grids & 1 Tray Accessories
- Telescopic Rails
- Automatic Programmes
- 8 Programmes such as:
 - Multifunction
 - Bottom & Fan
 - Grill with Fan or Not
 - Pyrolysis
 - Defrost
 - Static etc.



- Προσθήκη εξαερισμού στο πίσω κάτω μέρος -