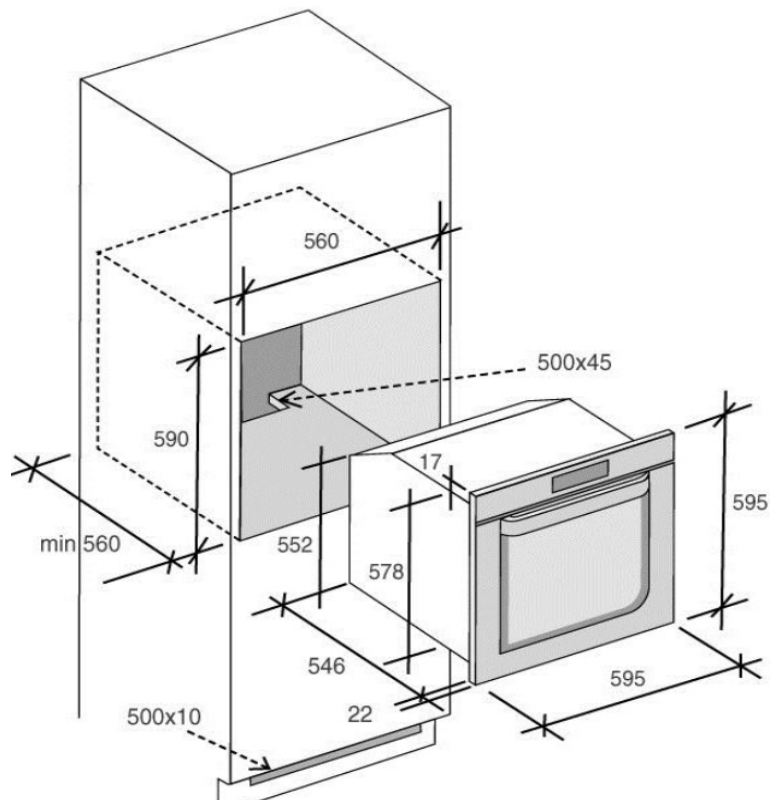




OVEN FEATURES

- **WiFi Connection**
- **A+ Class Energy Efficiency**
- **70lt Capacity**
- **Full Touch Digital Display**
- **Digital Thermostat Display**
- **Pyrolytic Embossed Cavity**
- **Halogen Lighting**
- **4 Glass Safety Door System**
- **1 Grid & 1 Tray Accessories**
- **Telescopic Rails**
- **Automatic Programmes**
- **9 Programmes such as:**
 - Multifunction
 - Bottom & Fan
 - Grill with Fan or Not
 - Pyrolysis
 - Defrost
 - Static etc.



- Προσθήκη εξαερισμού στο πίσω κάτω μέρος -