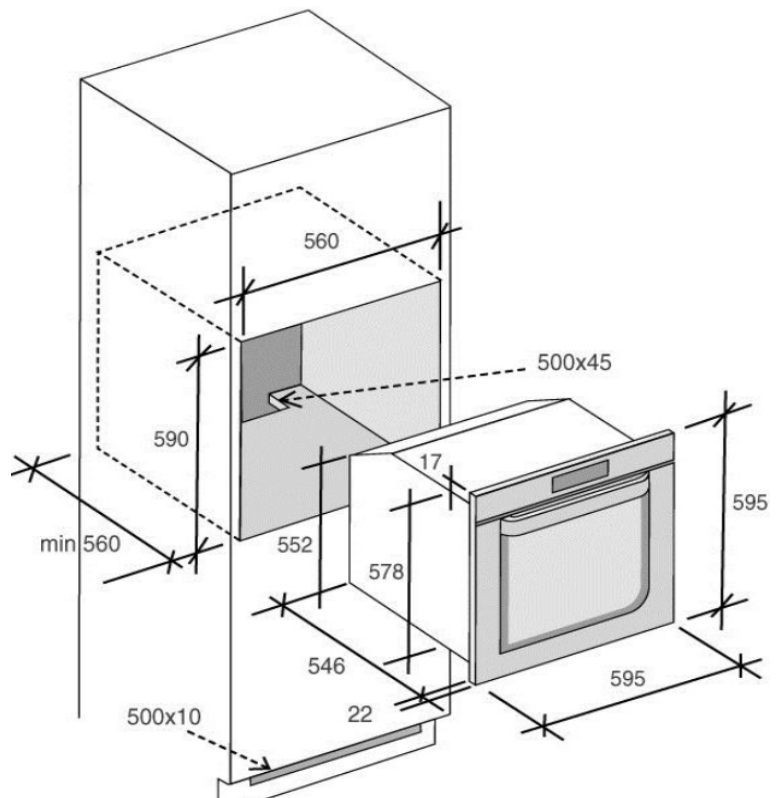




## OVEN FEATURES

- **WiFi Connection**
- A+ Class Energy Efficiency
- 70lt Capacity
- Full Touch Digital Display
- Digital Thermostat Display
- Pyrolytic Embossed Cavity
- Halogen Lighting
- 4 Glass Safety Door System
- 1 Grid & 1 Tray Accessories
- Telescopic Rails
- Automatic Programmes
- 9 Programmes such as:
  - Multifunction
  - Bottom & Fan
  - Grill with Fan or Not
  - Pyrolysis
  - Defrost
  - Static etc.



**- Προσθήκη εξαερισμού στο πίσω κάτω μέρος -**