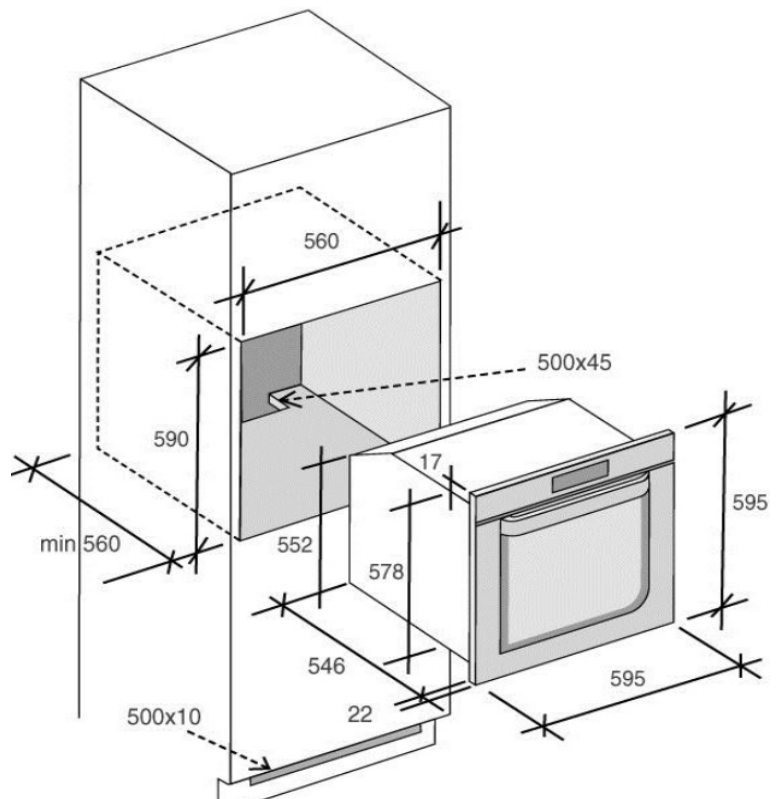




OVEN FEATURES

- **WiFi Connection** with hOn
- **A+ Class Energy Efficiency**
- **78lt Capacity**
- **Full Touch Digital Display**
- **Digital Thermostat Display**
- **EasyClean Embossed Cavity**
- **Push-Pull Buttons**
- **LED Lighting**
- **1 Grid & 1 Tray Accessories**
- **Telescopic Rails**
- **Automatic Programmes**
- **9 Programmes such as:**
 - Multifunction
 - Bottom & Fan
 - Grill with Fan or Not
 - SoftCook
 - Defrost
 - Static etc.



- Προσθήκη εξαερισμού στο πίσω κάτω μέρος -