

Controls

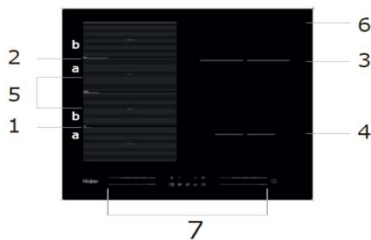
- 60cm INDUCTION Hob
- Soft-touch electronic controls
- 6 Cooking Zones
- Vetroceramic Surface Material
- Auto cut-off timer for each zone
- Automatic Shutdown
- Multizone
- Preci Probe (Temp. control)
- WiFi Connection with hOn

Performance

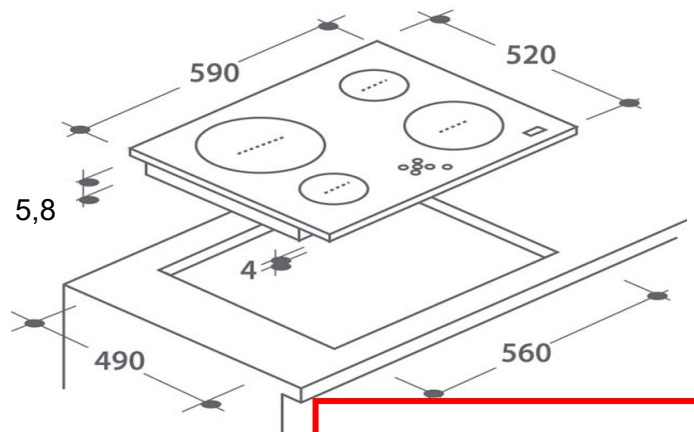
- Auto Heat reduce
- 9 Power Levels
- Gentle Heat

Safety

- Key Lock - Overheating alert
- Spillage auto-off
- Surface hot indicators



1. Max. 2000/3200 W zone
2. Max. 2000/3200 W zone
3. Max. 2200/3200 W zone
4. Max. 1400/2000 W zone
5. Max. 3000/3600 W zone
6. Glass plate
7. Control panel



CUT OUT DIMENSIONS:

560mm X 490mm