

Controls

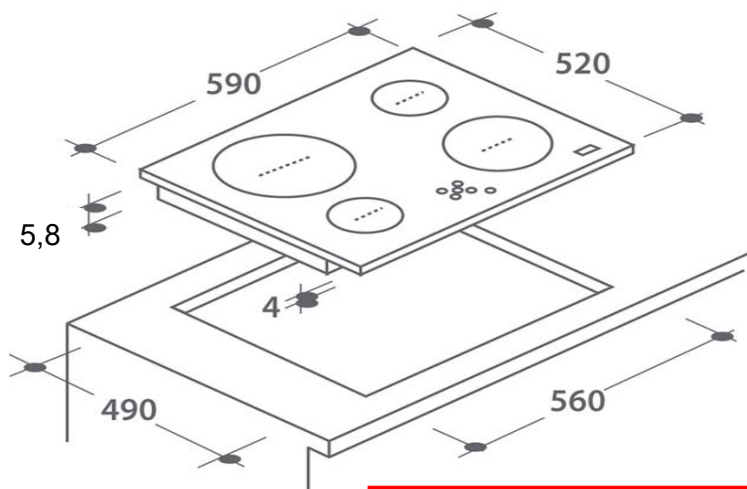
- 60cm INDUCTION Hob
- Soft-touch electronic controls
- 4 Cooking Zones
- Vetroceramic Surface Material
- Auto cut-off timer for each zone
- Automatic Shutdown
- WiFi Connection with hOn

Performance

- Auto Heat reduce
- 9 Power Levels
- Gentle Heat
- 1500W (2000W) Each Zone

Safety

- Key Lock - Overheating alert
- Spillage auto-off
- Surface hot indicators



CUT OUT DIMENSIONS:

560mm X 490mm