



FIM ISLAND HOOD

MODEL: 745 090EX

Dimension 90cm

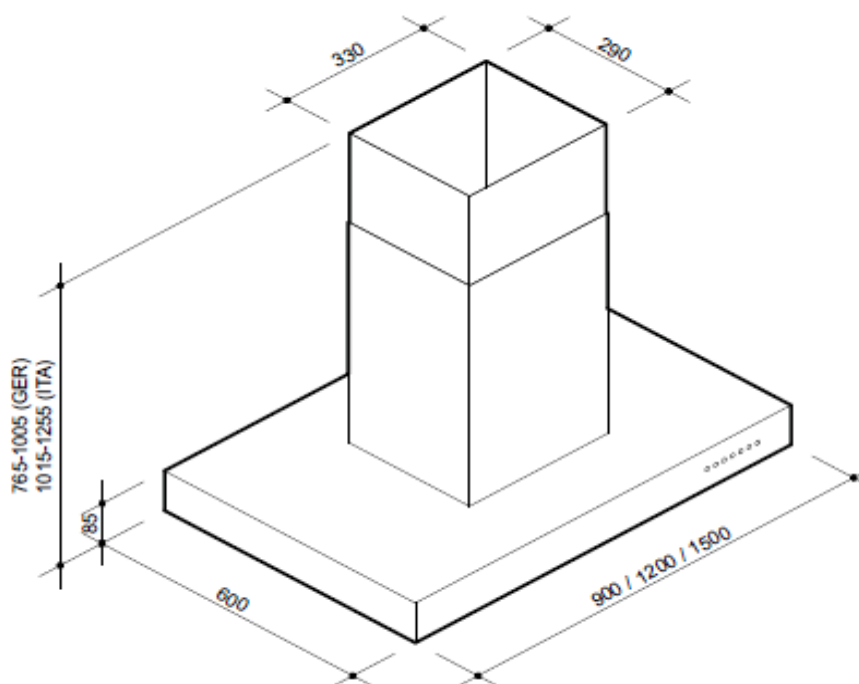
Inox
4 x 20 W Halogens
Aluminium panels

15cm extracting hole/15cm ducting pipe

Noice: 71dBA

NOTE TECNICHE

	745-90
Codice articolo	K0745090PX K90745090EX K90745090EX1
Comandi	Meccanici Elettronici Touch control
Materiale	Inox
Finitura	Satinato
Aspiratore	C-700 C-1000
Aspirazione (m3/h)	700 1000
Illuminazione	Lampade alogene
Potenza	4x20w
Uscita aspirazione	150mm



IMPORTANT NOTE: IN CASE THE SPACE BETWEEN THE HOOD AND THE ROOF IS TOO HIGH (TALL ROOF), AN EXTENSION BASE WILL BE REQUIRED TO FIT THE CEILING HOOD. AVERAGE COST IS ABOUT 100€ BUT IT WILL ALSO DEPEND ON THE PARTICULAR CASE AND DETAILS PER CASE.

ΣΗΜΑΝΤΙΚΟΝ: ΣΕ ΠΕΡΙΠΤΩΣΗ ΠΟΥ Η ΟΡΟΦΗ ΕΙΝΑΙ ΨΗΛΗ (ΤΑΒΑΝΙ), ΚΑΙ Ο ΧΩΡΟΣ ΜΕΤΑΞΥ ΑΠΟΣΜΗΤΗΡΑ ΚΑΙ ΟΡΟΦΗΣ ΕΙΝΑΙ ΜΕΓΑΛΥΤΕΡΟΣ ΑΠΟ ΤΙΣ ΒΑΣΕΙΣ ΤΟΥ ΠΡΟΪΟΝΤΟΣ, ΤΟΤΕ ΧΡΕΙΑΖΕΤΑΙ ΕΠΕΚΤΑΤΙΚΗ ΒΑΣΗ. ΤΟ ΚΟΣΤΟΣ ΤΗΣ ΒΑΣΗΣ ΕΙΝΑΙ ΠΕΡΙΠΟΥ 100€ Ή ΑΝΑΛΟΓΑ ΜΕ ΤΑ ΔΕΔΟΜΕΝΑ ΤΗΣ ΚΑΘΕ ΠΕΡΙΠΤΩΣΗΣ.