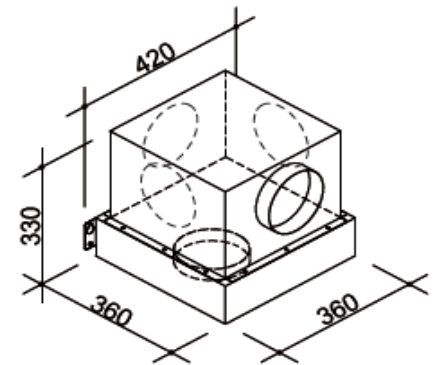
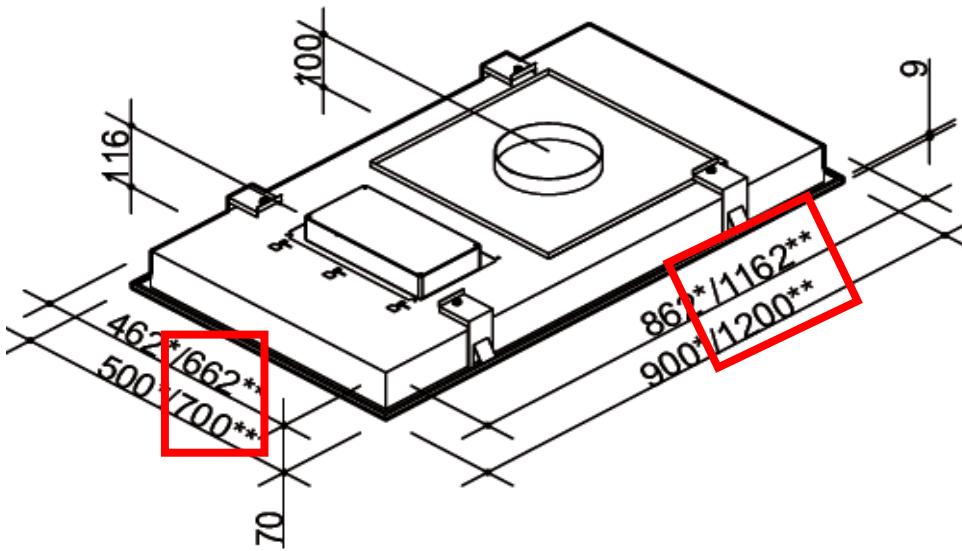
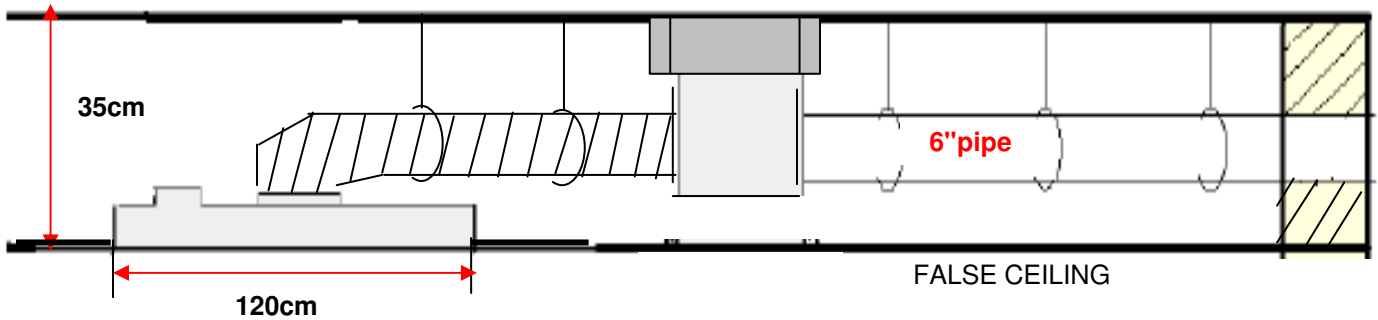


66212070EXLM



Roof Detachable Motor



ROOF



120cm X 70cm



INOX



8 X LED'S



STAINLESS STEEL FILTER



EXTRACTION HOLE 15cm Ø
DUCTING PIPE 15cm Ø



REMOTE CONTROL



DUCT OUT



HIGH - HC3



1000 m³/h



520 PA



I: 53
III: 56-61



300W