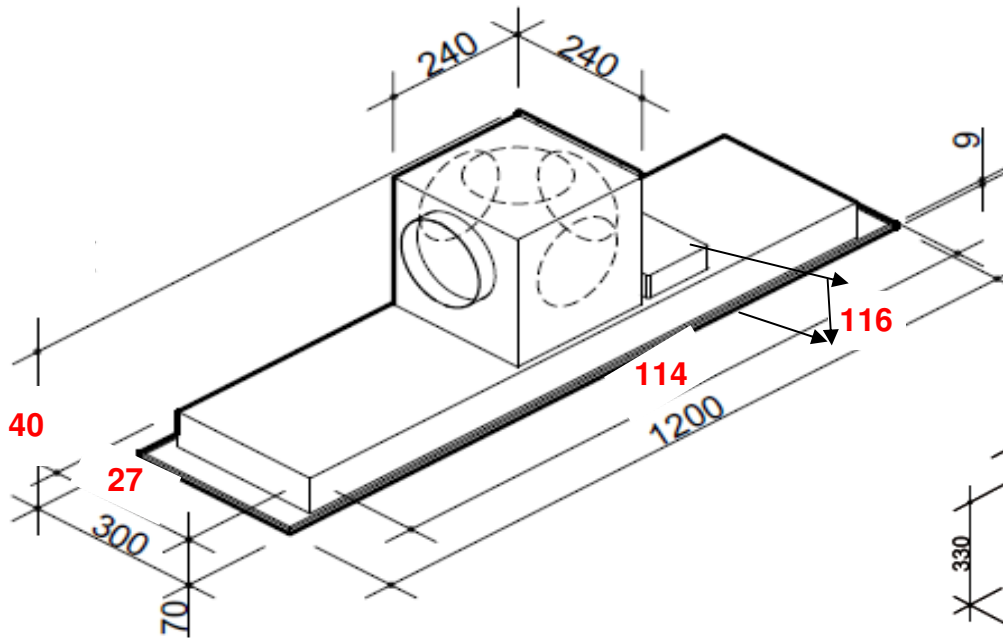
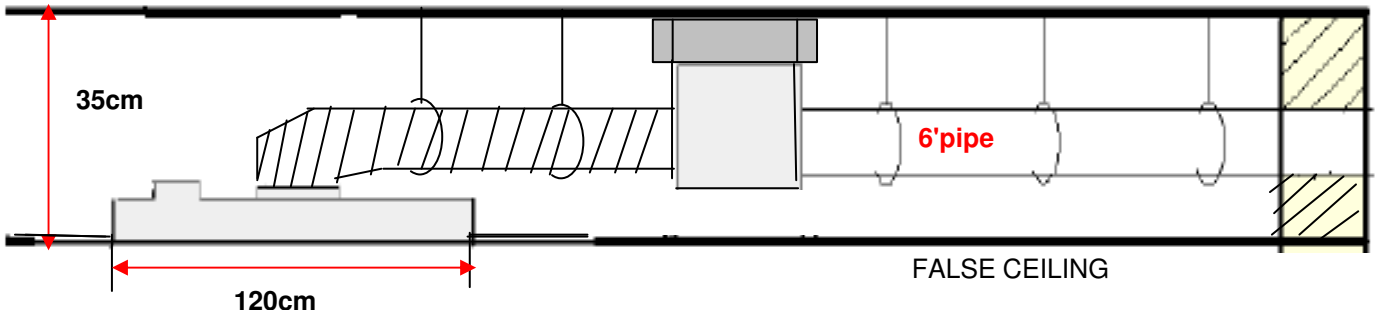


FIM 662-120x30



Roof Model with Detachable Motor



ROOF



120cm X 30cm



INOX



4 X LED'S



STAINLESS STEEL FILTER



EXTRACTION HOLE 15cm Ø
DUCTING PIPE 15cm Ø



REMOTE CONTROL



DUCT OUT



HIGH - HC3



1000 m³



430 - 436



I: 53
III: 56-61



300W

