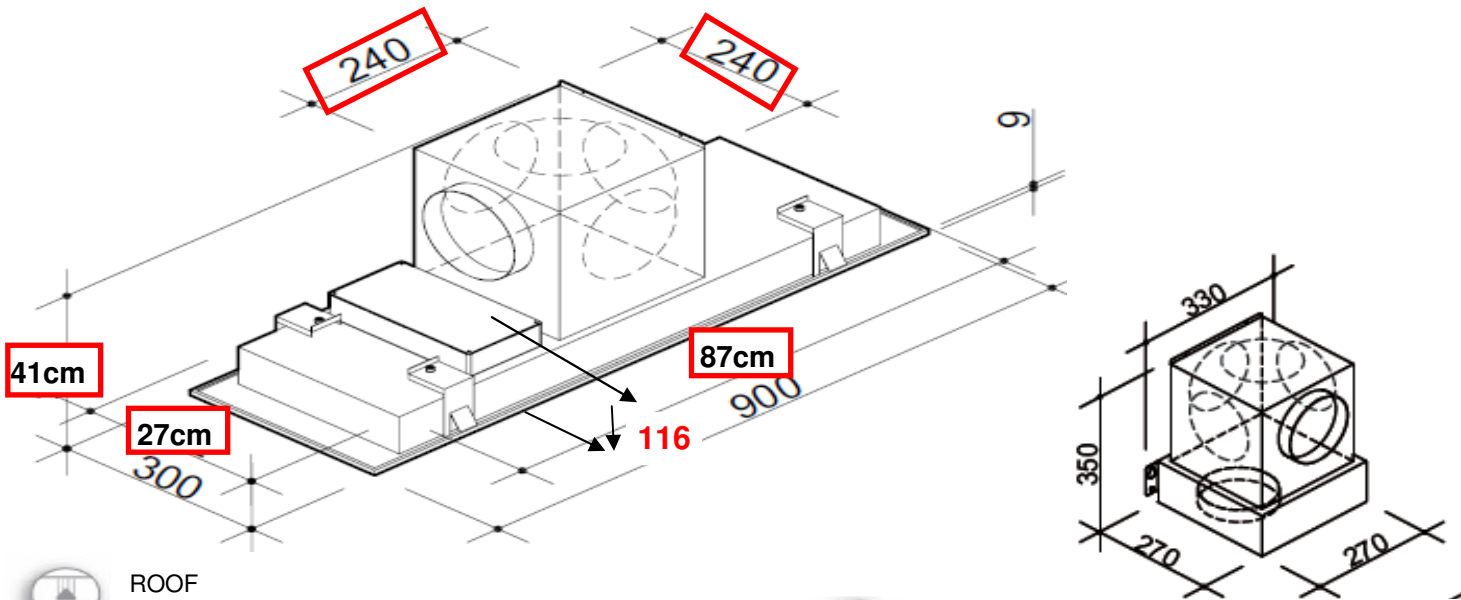
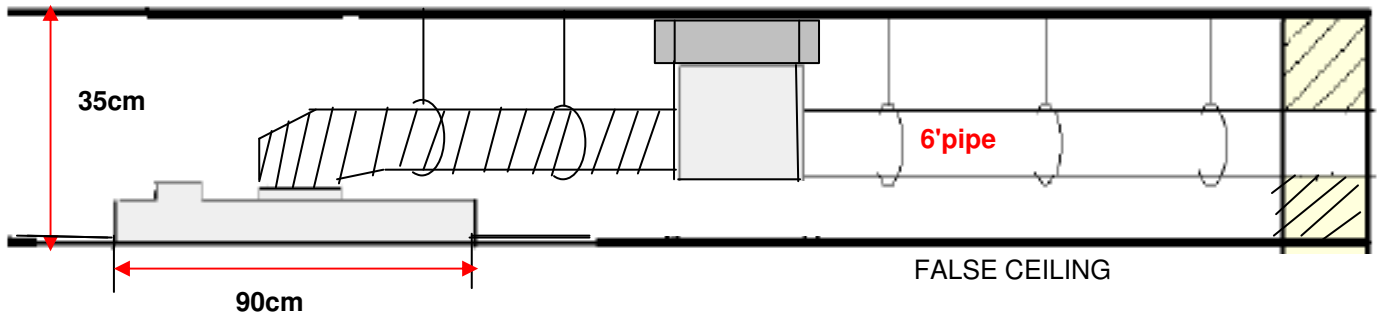


FIM 662 09030 EXLM



Roof Model with Detachable Motor



ROOF



90cm X 30cm



INOX



3 X LED'S



STAINLESS STEEL FILTER



EXTRACTION HOLE 15cm Ø



DUCTING PIPE 15cm Ø

REMOTE CONTROL



DUCT OUT



HIGH - HC3



1000 m³



430 - 436



I: 53 - III: 56-61



300W