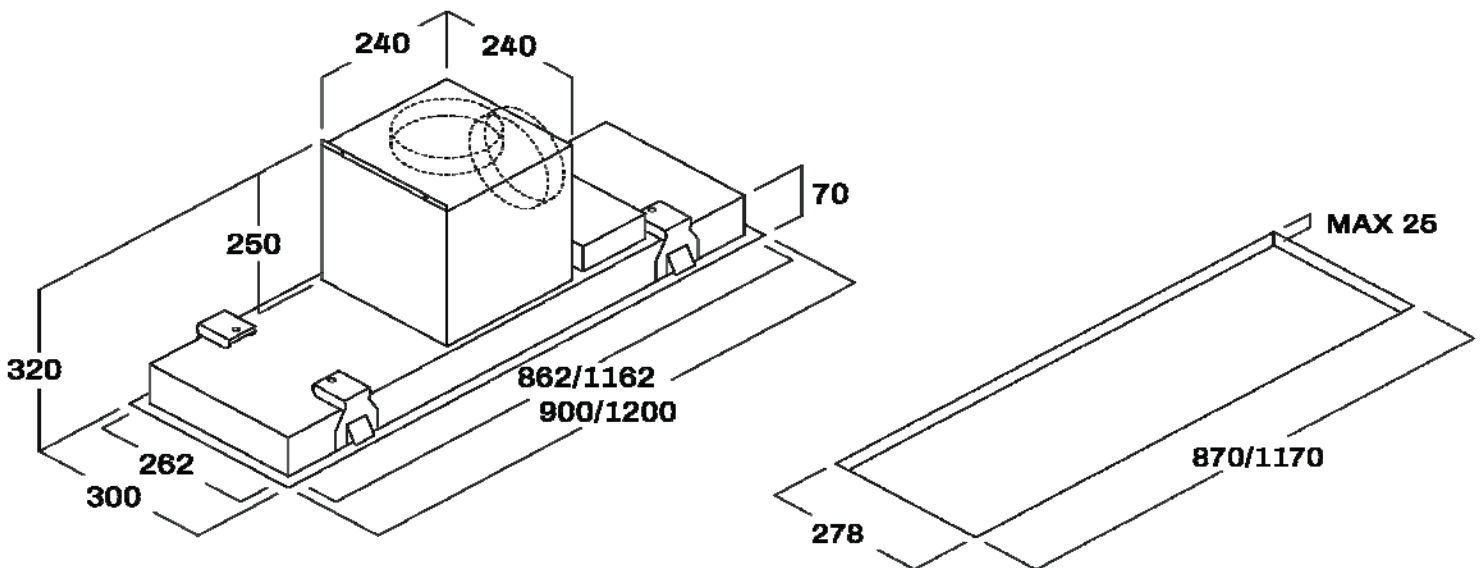




FEATURES:

- 90x30cm ROOF HOOD
- Dynamic Led Strip 1x9w
- Remote Control
- Air Flow: 200 m³/h min - 740 m³/h max (1000 m³/h boost)
- Noise Level: 42min. - 64 dB(A) Max.
- Satin Inox Finish
- **ENERGY CLASS A**
- Perimetral aspiration
- 275w Motor Power



15cm EXTRACTION HOLE
(preferable plastic piping to reduce noise level)

Cut Out: 87cm X 27,8cm