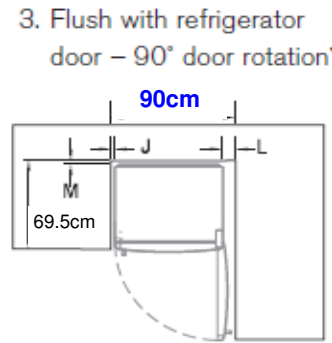
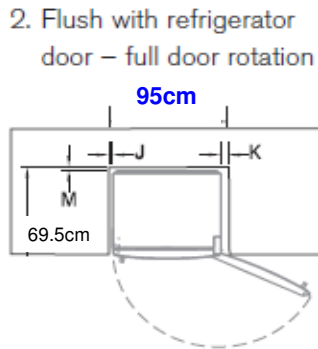
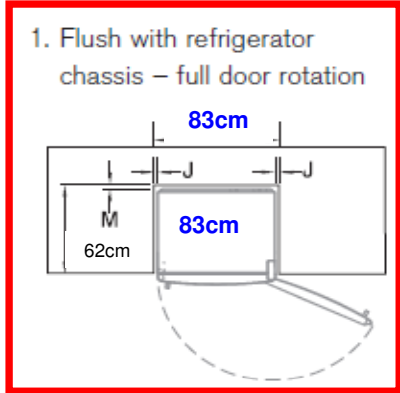
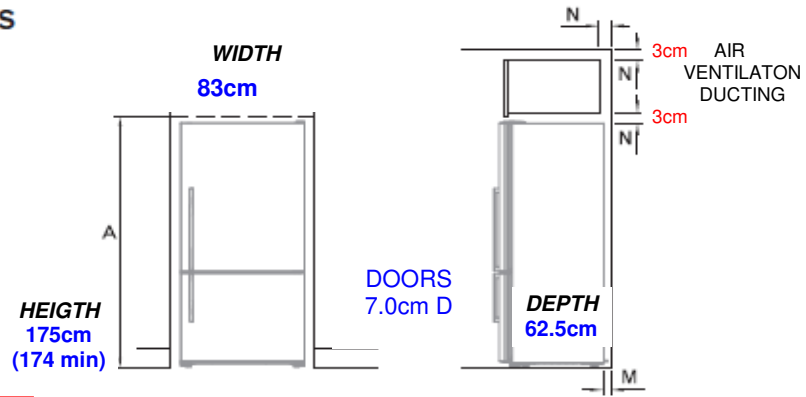


CABINETRY DIMENSIONS
E522B, E521T,



E522BRXFDU4

E522BRXFD4



Refrigerator

EZKleen Stainless Steel flat door
 Designer with Designer handle

Capacity: 352 litres (12.40 cu.ft) Refrigerator ** 351 Lt Refrigerator (with I&W)
 121 litres (4.17 cu.ft) Freezer ** 118 Lt Freezer (With I&W)
 473 litres (16.57 cu.ft) Total ** 469 Lt Total (With I&W)

Energy rating: **A+**

Energy usage: 385 kW per year / for models I&W 390kW per year

Noise level: 43dB

Performance: Active Smart™ system, Frost free freezer, Adaptive defrost, Humidity control system, Humidity control lid, Sabbath mode

Refrigerator: Water dispenser, Door alarm, 4 Adjustable glass shelves, Bottle rack, 2 Full width adjustable door shelves, 2 Half width adjustable door shelves, 2 Covered door shelves, 2 Egg trays, Halogen light

Freezer: Built-in ice maker, 1 Large plastic bin, 2 Small plastic bins, Ice bin and scoop, 1 Centre roll out tray, Door alarm

Accessories: Water filter (part number 836848)

REFRIGERATOR DIMENSIONS:

H 171.5cm X W 79.0cm X D 69.5cm

- *DEPTH: 62.5cm + 7.0cm (DOORS)
- 1) EXCLUDING HANDLES
- 2) INCLUDING EVAPORATOR (BACK)