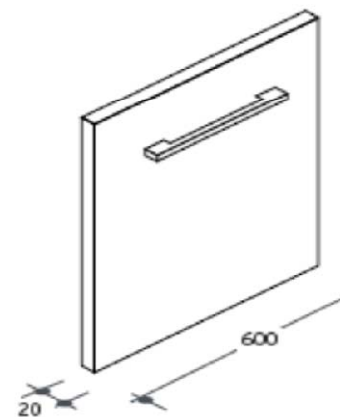


Main Features & Performance

- Capacity (number of seats): **16**
- Energy efficiency class: **A+++ (-10%)**
- **Automatic door opening**
- **MAXI PLATE 35cm**
- **SMART TOUCH**
- Third basket
- Upper basket with click-clack system
- Indicator Digital countdown
- **ZOOM 39'** program
- Number of programs: **9**
- Maximum time delay start (h): **1-23**
- Functions Delay start: **Continuous**
- End of cycle indicator with buzzer
- Salt indicator
- Rinse Aid Indicator
- Number of wash temperatures: **5**
- Drying system: **Turbo dry systems with fan**
- Aquastop system protection



Energy label

- Energy efficiency class: **A+++ (-10%)**
- Drying efficiency class: **A**
- Noise level dB (A) re 1 pW - sound power: **43**
- Water consumption (liters): **10**
- Power consumption (kWh): **0.95**
- Total annual energy consumption (kWh): **262**
- Total annual water consumption (l): **2880**

List of programs

- Intensive 75 ° C
- Universal 60 ° C
- ECO 45 ° C
- Quick 24 - 59 mins

Dimensions

- Net Weight (kg): **39.94**
- Gross Weight (kg): **44.56**
- Depth (mm): **550**
- Width (mm): **598**
- Height without worktop (mm): **820**