

Double DishDrawer™ Dishwasher, Sanitise

Series 7 | Contemporary

Stainless Steel

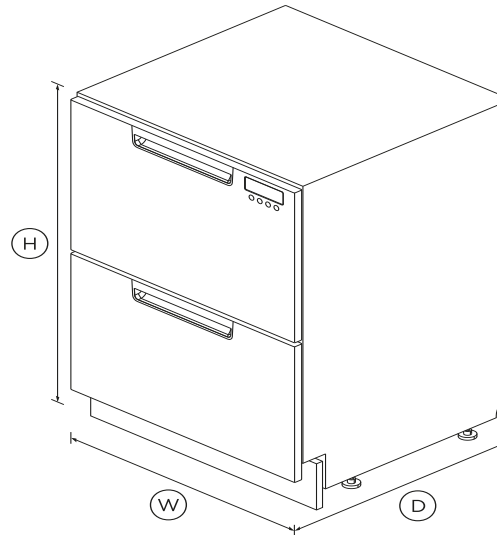


Wash one drawer while you load the other, with minimal bending and room in each drawer for full-size dinner plates.

- Six wash programs, as well as additional Quick wash, Sanitise and Extra Dry options
- Flexible racking allows you to customise internal shelves to suit your needs

DIMENSIONS

Height	820 - 880 mm
Width	599 mm
Depth	573 mm



FEATURES & BENEFITS

Ease of use

DishDrawer™ Dishwashers are as easy to open and close as kitchen drawers and can be conveniently positioned at bench height for ease of loading and minimal bending. Flexible racking allows you to make adjustments to fit in a variety of dishes.

Independent wash

With the ability to use both drawers independently and select different wash programs, the DishDrawer™ Dishwasher can wash everything from fine glass and crystal to heavily soiled pots and

pans.

True half load

Each drawer holds a true half load for small washes and fast turnaround of your dishes. Both drawers operate independently so different wash cycles can run simultaneously to accommodate a variety of loads.

Seamless integration

DishDrawer™ Dishwashers are designed to match the Fisher & Paykel family of kitchen appliances, with matching handles, premium styling and quality materials for a stylish finish in your kitchen.

Quick, Sanitise and Extra Dry options

The Quick wash modifier delivers a faster wash while maintaining performance. The Sanitise option provides extra protection, killing 99.9% of bacteria in the final rinse. The Extra Dry setting is perfect for plastic dishes.

Quiet performer

Running at a very low decibel rating, these DishDrawer™ Dishwashers do their job without making a fuss. The combination of intelligent technology and simple mechanics means greater reliability and excellent wash performance.

SPECIFICATIONS

Accessories

Cutlery basket	2
Kickstrip	•
Knife clip and multipurpose	•

Capacity and Loading

Accommodates round plates	280mm
Adjustable height, foldable	•
Fold down tines	•

Pitch adjustable tines	•
Place settings	14

Consumption

Energy star rating	3.5
Energy usage	136kWh/year
Water rating (WELS)	4.5
Water usage (per cycle)	6.9L

Controls

Child lock	•
Electronic fault/Diagnostic	•
End of cycle beeps	•
Energy saving delay start	•
Rinse aid indicator light	•

Features

Fan assisted drying	•
Flow through detergent	•
Quiet operation	•
SmartDrive™ technology	•

Performance

Noise on standard cycle top	43dBA
-----------------------------	-------

Power requirements

Amperage	8.5A
----------	------

Product dimensions

Depth	573 mm
-------	--------

Depth of toe kick recess	38 - 54 mm
Dimensions (excluding)	H820-880 x W599 x D573 mm
Height	820 - 880 mm
Height of toe kick panel	72 - 127 mm
Width	599 mm

Warranty

Parts and labour	2 years
------------------	---------

Wash Programs

Delicate	•
Eco	•
Extra Dry	•
Fast	•
Heavy	•
Medium	•
Number of wash programs	15
Quick	•
Rinse	•
Sanitise	•
Wash modifiers	3

Water connection

Water pressure	0.03 Mpa - 1 Mpa
----------------	------------------

SKU	81587
-----	-------

product and model. Under our policy of continuous improvement, these dimensions and specifications may change at any time. You should therefore check with Fisher & Paykel's Customer Care Centre to ensure this page correctly describes the model currently available. ? Fisher & Paykel Appliances Ltd 2020

TEST The product dimensions and specifications in this page apply to the specific

Other product downloads available at fisherpaykel.com



User Guide



Service & Warranty Booklet



Quick Start Guide



Installation Guide



Resources (zip)



A PEACE OF MIND SALE

24 Hours 7 Days a Week Customer Support

T 1300 650 590 **W**www.fisherpaykel.com