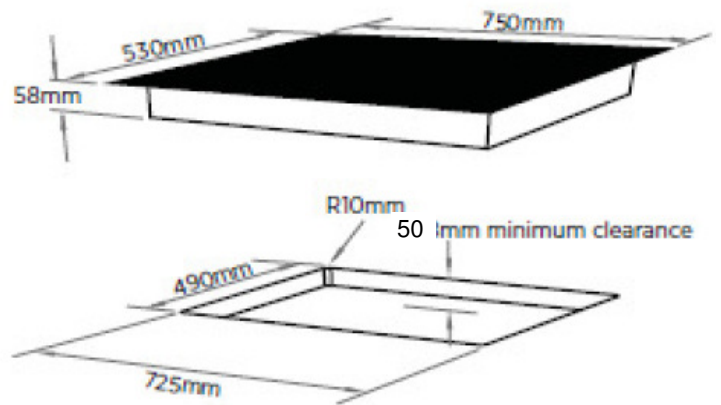
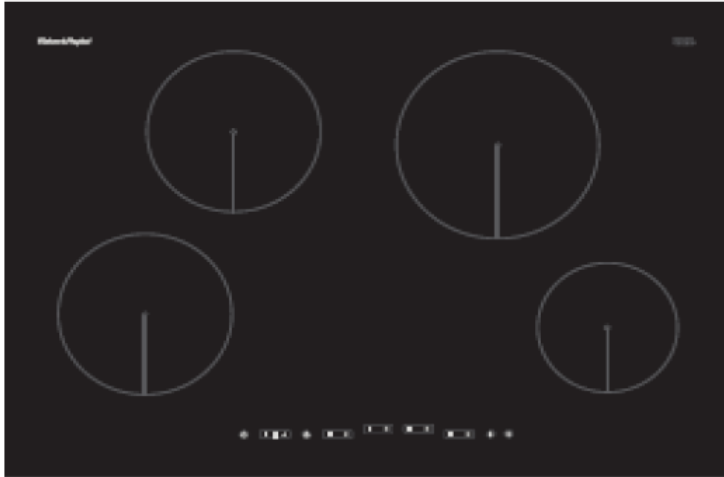


**FISHER & PAYKEL HOBS****MODEL:CI754DTB1****New Design**

- Frameless black Ceran glass
- 75 cm with 4 elements
- Easy to use touch controls

**Performance**

- 4 elements with 9 heat settings
- From 1.4kW to 3.7kW power boost function on each element
- Gentle Heat for low simmering
- Auto Heat Reduce to quickly heat up the food and automatically simmer
- Timer

**Safety**

- Hot surface indicators
- Pan detection
- Key lock
- Safety time-out feature
- Spillage auto-off function

**Product Dimensions**

750 mm W x 530 mm D

**Cut-out Dimensions**

725 mm W x 50 mm H x 490 mm D