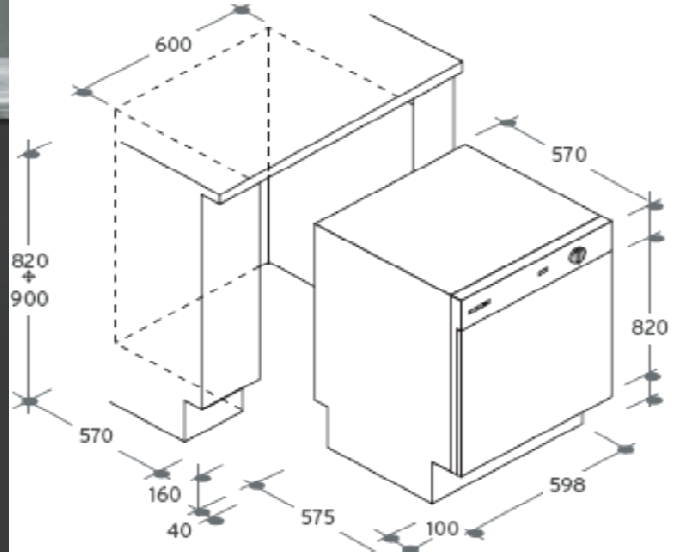


CANDY BUILT-IN D/WASHER

MODEL: CDS2D35X



INTEGRATION

Semi integrated

13 Place Settings

WASH PROGRAMMES

10 Wash Programmes

End program Buzzer

Aqua protect System

OTHER FEATURES

Self Cleaning Filter

Adjustable upper basket with click-clack

Blocking anti-fall bottom basket

Digital Electronic operate system

ENERGY LABEL (NORMATIVE CYCLE ECO 45°C)

Noise Power dB(A) re 1 pw - normative cycle	53
Energy Class	A++
Yearly Energy Consumption (kW _y)**	262
Cycle Water Consumption/Program (lt)	10

** 280 cycles estimated in a year (2720 yearly Water Consumption)

DIMENSIONS

Width of Cabinet (mm)	598
Depth of Cabinet (mm)	570
Height adjustability range (mm)	820-900

DOOR CUT OUT: W: 59.6cm - H: 60cm