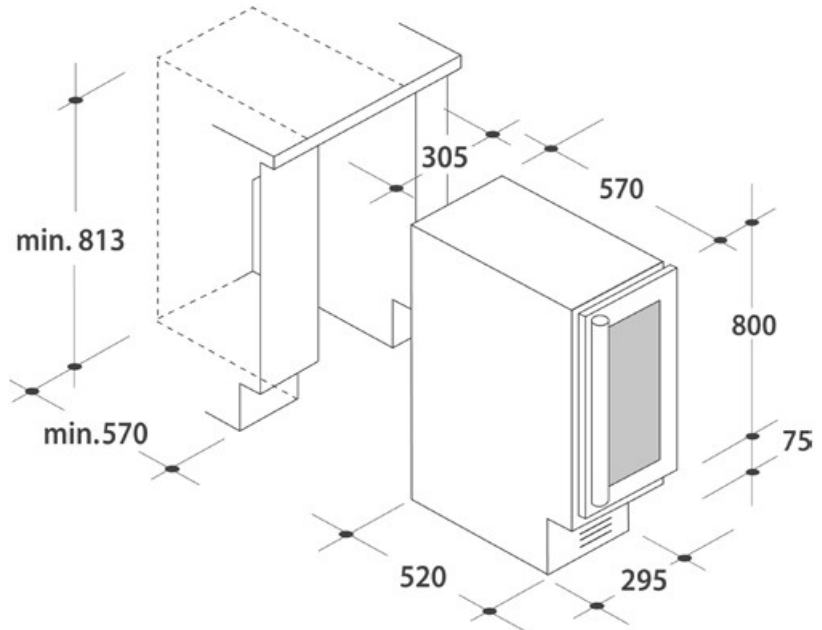


CANDY BUILT-IN WINE COOLER MODEL:CCVB30



KEY FEATURES

Control type	Digital
Energy efficiency class - NEW (2010/30 / EC)	B
Product name / Commercial Code	CCVB 30
Internal article number	34900422
Capacity 0.75l (bordeaux bottles)	19

ESTHETIC

Panels Material	Plastic
Glass Type	transparent
Color furniture	Black
frame	Do not
handle Material	Inox

TECHNICAL CHARACTERISTICS

Technology	Fan
reversible Door	Yes
Material shelves	Wood
Number of shelves	6
climate class	n
Lighting	LED

DIMENSIONS

Width (mm)	295
Weight (kg)	30
Depth (mm)	570
Height (mm)	813