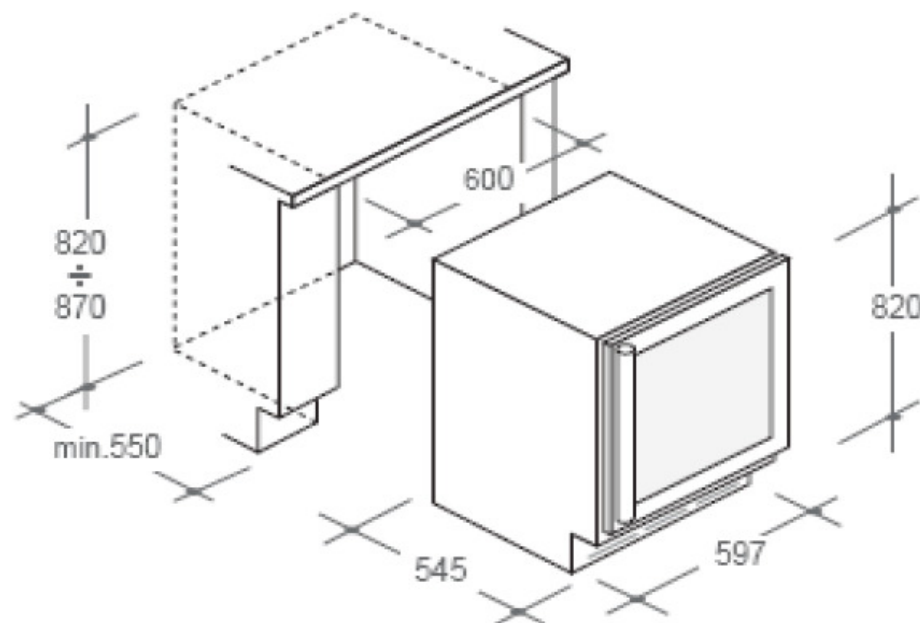


## **CANDY BUILT-IN WINE COOLER**

**MODEL: CCVB 120**

<b>A</b>	<b>A' CLASS</b>
<b>120L 35 BOTTLES</b>	<b>120 lt 35 BOTTLES CAPACITY</b>
<b>LCD DISPLAY</b>	<b>LCD DISPLAY</b>
<b>60 CM</b>	<b>60cm WIDTH</b>



To meet the demands of today's sophisticated fitted kitchens, Candy has developed a superb integrated wine cabinet range. The useful 30 and 60 cm width dimension to perfectly fit the standard kitchen cabinets. High quality materials like inox door frames and wooden shelving are standard. Electronic sensors and dual temperature control with digital display, ideal for storing red and white wine at different temperatures in the same cabinet. Lighting in cool blue LED and front cooling ventilation completes the perfect fitted integration looks.