

**INSTALLATION INSTRUCTIONS
USER GUIDE**

Built-in Integrated Cooker Hood

HP90IHCB3 and HP60IHCB3 models

GB IE

Fisher & Paykel

CONTENTS

Introduction	3
Safety and warnings	4
Installation instructions	7
About your cooker hood - Energy efficiency	15
Operating instructions	16
Cleaning and maintenance	17
Parts and accessories	18
Manufacturer's Warranty	19
Customer Care	20

IMPORTANT!

SAVE THESE INSTRUCTIONS

The models shown in this user guide may not be available in all markets and are subject to change at any time. For current details about model and specification availability in your country, please go to our website www.fisherpaykel.com or contact your local Fisher & Paykel dealer.

Registration

Register your product with us so we can provide you with the best service possible.

To register your product visit our website: www.fisherpaykel.com

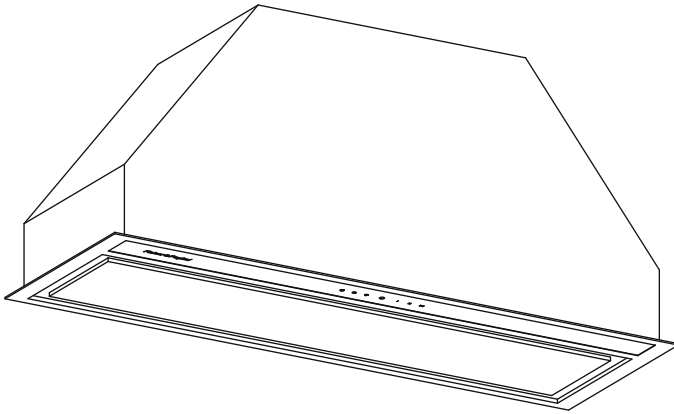
INTRODUCTION

Thank you for purchasing a Fisher & Paykel product.

Thousands of hours go into the design, engineering, testing and perfecting of each Fisher & Paykel appliance. The care and attention given to creating these beautiful products doesn't stop once it has found its home with you.

This use and care manual will answer most of your questions about the set-up, use and on-going maintenance of your Fisher & Paykel product; however if you require further information about your product and its use please consult our website for solutions and further contact information to discuss with a service representative.

To ensure you receive all relevant product updates and the best service possible, please register your Fisher & Paykel products through our website.



⚠ WARNING!



10kg
(HP60)
11.5kg
(HP90)

Weight Hazard

The cooker hood is heavy. Please ensure adequate care is taken when installing the cooker hood to prevent personal injury. The cooker hood must be installed onto a solid wall, stud, beam or truss. Weight of the product is 10kg (HP60) / 11.5kg (HP90)

⚠ WARNING!



Electric Shock Hazard

Always disconnect the appliance from the mains power supply before carrying out any maintenance or repairs. Alterations to the domestic wiring system must only be made by a qualified electrician. Failure to follow this advice may result in electrical shock or death.

IMPORTANT SAFETY INSTRUCTIONS

WARNING!

When using this appliance always exercise basic safety precautions including the following:

- Please read the entire set of instructions before installing the cooker hood.
- This appliance can be used by children aged from 8 years or above and persons with reduced physical, sensory or mental capabilities or lack of experience or knowledge if they have been given supervision or instruction concerning use of the appliance in a safe

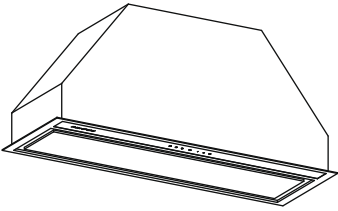
way and understand the hazards involved. Children shall not play with the appliance. Cleaning and user maintenance shall not be made by children without supervision.

- The installation of Fisher & Paykel cooker hoods must comply with the information in this guide. Failure to install the cooker hood in accordance with these installation instructions may result in electrical hazards, injury, and damage to your appliance and loss of warranty. Failure by the installer to install the screws or fixing devices in accordance with these installation instructions may result in electrical hazards. Please install the appliance as detailed in these instructions.
- There shall be adequate ventilation of the room when the cooker hood is used at the same time as appliances burning gas or other fuels.
- You must read the details concerning the method and frequency of cleaning.
- There is a fire risk if cleaning is not carried out in accordance with the instructions.
- Do not flambé under the cooker hood.
- Exhaust air must not be discharged into an existing flue that is used for exhausting fumes from appliances burning gas or other fuels.
- The minimum distance between the supporting surface for cooking vessels on the hob and the lowest part of the cooker hood shall be 600mm, or 650mm if installed over a gas hob.
- Attention should be given to ensure that any applicable regulations concerning the discharge of exhaust air is fulfilled.

- **If the supply cord of this equipment is damaged it must only be replaced by the manufacturer, its service agent or similarly qualified person in order to avoid a hazard.**
- **Always switch the power off prior to installation, servicing or cleaning the cooker hood.**
- **Never use the cooker hood without the filters in place.**
- **Stainless steel or powdercoat is very easily damaged during installation if abraded or knocked by tools. It is recommended to protect the top of the cooker hood with cardboard or plastic bag during the installation to minimise the risk of damage occurring.**
- **To reduce the risk of damage occurring to hob, it is recommended that the surface of the hob is protected with cardboard or a similar object during installation of the cooker hood.**
- **A power outlet should be within 750mm of the motor assembly and can be either on the wall, behind the chimney or in the ceiling.**
- **To comply with electrical safety regulations, this cooker hood must be plugged into a socket near the appliance. The socket must be accessible, or have an accessible isolating switch, to enable the end user to isolate the cooker hood from the power for the purpose of internal cleaning or maintenance.**
- **Ducting accessories are not supplied. All ducting must comply with local requirements and building codes.**
- **CAUTION: accessible parts may become hot when used with cooking appliances.**

INSTALLATION INSTRUCTIONS

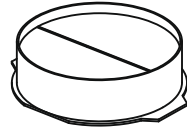
Contents of packaging



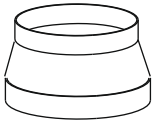
Cooker hood
(1)



Installation instructions
User guide manual
(1)



150mm ducting adapter
with non return flap
(1)



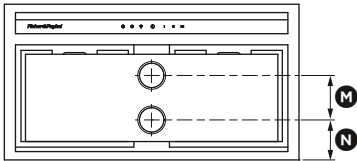
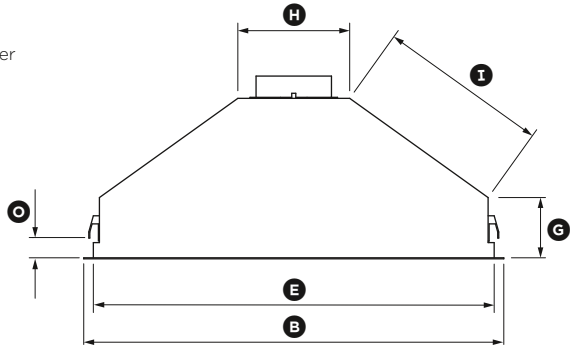
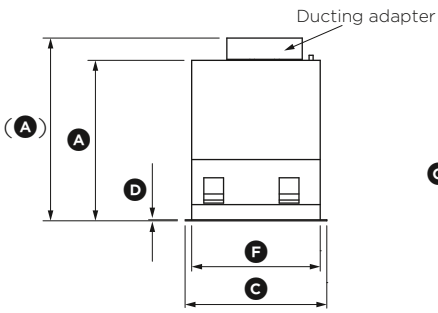
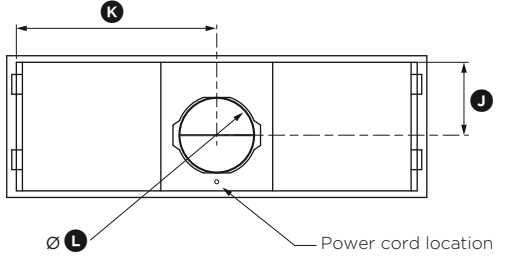
125mm ducting
adapter (1)



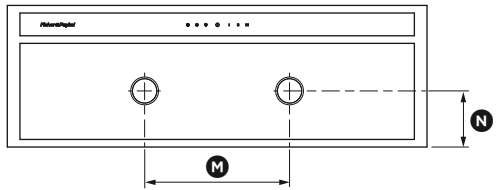
13mm screw
(2)

INSTALLATION INSTRUCTIONS

Product and cabinetry cutout dimensions



HP60



HP90

INSTALLATION INSTRUCTIONS

	HP60	HP90
PRODUCT DIMENSIONS		
		mm
(A) Overall height of product (with ducting adapter)	350 (395)	315 (360)
(B) Overall width of product	530	830
(C) Overall depth of product	280	280
(D) Thickness of flange	2	2
(E) Width of chassis	492	792
(F) Depth of chassis	255	255
(G) Height of side of chassis	120	120
(H) Width of top surface of chassis	220	220
(I) Length of angled surface of chassis	260	335
(J) Distance from centre of ducting outlet to back of chassis	145	145
(K) Distance from centre of ducting outlet to side of chassis	245	395
(L) Diameter of ducting outlet	150	150
(M) Distance between centre of lights	80	285
(N) Distance from centre of light to back of product	70	115
Length of power cord	750	750
CABINETRY CUTOUT DIMENSIONS		
Overall width of cutout	500	800
Overall depth of cutout	260	260
(O) Base of brackets/clips to bottom of chassis	min. 15 - max. 40	min. 15 - max. 40

IMPORTANT!

Actual product dimensions may vary by ± 2 mm.

Please read the entire instructions before installing the cooker hood.

INSTALLATION INSTRUCTIONS

Height of cooker hood

MINIMUM CLEARANCES	mm
Ⓐ Height top of hob to base of product	
*Electric hob (for induction hob see note below)	min. 600 – max. 750
Gas hob	min. 650 – max. 750

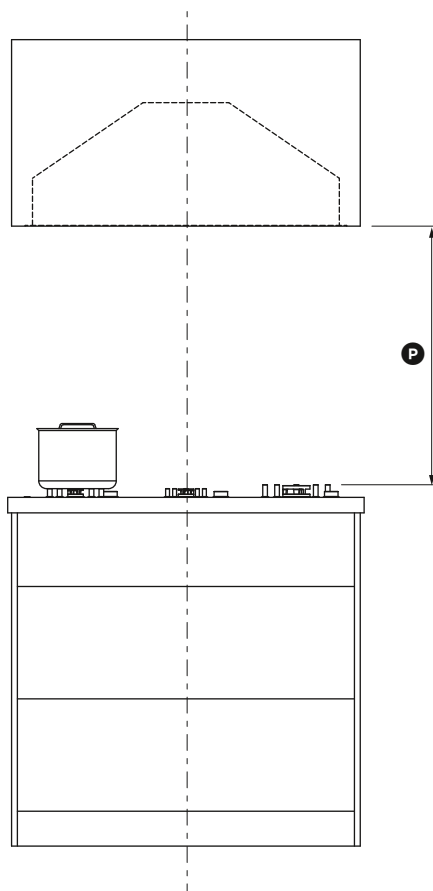
Cooker hood installation height above the hob is the user's preference. This cooker hood must be installed between the minimum and maximum height limits indicated in the table above. Installation at the minimum height limit will improve the efficiency of capturing cooking odours, grease and smoke. Installation at the maximum height limit improves user ergonomics by offering increased head room.

* Induction cooking considerations

- Induction hobs use energy efficient technology that only heats the contents of a cooking pot.
- Unlike gas or traditional electric hobs, the surrounding air does not get heated when using an induction hob. As a result, cooker hood filters, splashbacks and surrounding cabinetry do not get warmed up, increasing the likelihood of condensation on these cooler surfaces.
- Other factors like ambient temperature, humidity, natural ventilation of the room, size of the cookware and how the induction hob is being used also influence condensation. For example, aggressive boiling on high hob heat settings like PowerBoost increases the rate at which water is evaporated, increasing the likelihood of condensation.
- It is important to understand that neither the cooker hood nor the induction hob are faulty as a result of this phenomenon.

Condensation can be minimised by:

- Installing the cooker hood at the maximum height above the hob as specified in this user guide.
- Using the cooker hood on a lower speed setting when boiling.
- Using the induction hob on a lower heat setting when boiling.
- Switching the cooker hood on 5 minutes before cooking and letting it run for at least 5 minutes after cooking. Refer to the 'Operating instructions' section on how to use the timer function.



INSTALLATION INSTRUCTIONS

Venting options

Attention should be given to ensure that any applicable regulations concerning the discharge of exhaust air are fulfilled.

The cooker hood can be installed to operate with the exhaust air ducted externally from the kitchen, or installed to operate with the exhaust air recirculating within the kitchen.

Ducted externally

For an externally ducted installation it is recommended that 150mm diameter, rigid or semi-rigid ducting is used. This will require a 160mm (min) round hole in the ceiling or wall. Care should be taken to position the hole correctly.

For optimal efficiency, use rigid or semi-rigid ducting for reduced noise and increased airflow. Flexible ducting should only be used as a last resort (ie in difficult installations) and if used, ensure that it is pulled tight.

Recirculation mode

This cooker hood can be installed to recirculate within the kitchen where ducting externally is not a practical option. To enable the product to operate in recirculation mode, please purchase carbon filters (refer to 'Parts and Accessories'). The carbon filters are required to remove odours.

Note: a ducting hole is not required in the wall or ceiling if the cooker hood is installed to operate in recirculation mode.

INSTALLATION INSTRUCTIONS

Installation

WARNING!

This product is heavy and requires two persons for installation.

WARNING!

Failure to install the screws or fixing device in accordance with these instructions may result in electrical hazards.

The manufacturer is not liable for any damage caused by not following these instructions.

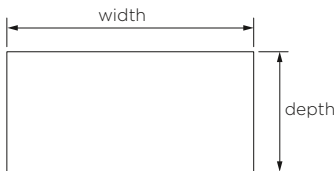
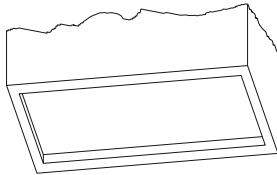
① Prepare for installation.

Before installing your cooker hood:

- Please read the instructions carefully.
- Unpack the cooker hood and check that all functions are working.
- Ensure that the voltage (V) and the frequency (Hz) indicated on the serial plate match the voltage and frequency at the installation site.
- The stainless steel and glass surfaces of the cooker hood are very easily damaged during installation if grazed or knocked by tools. Please take care to protect the surfaces during installation.
- Protect the hob surface below with cardboard, or the like, to prevent damage occurring whilst the cooker hood is being installed above.

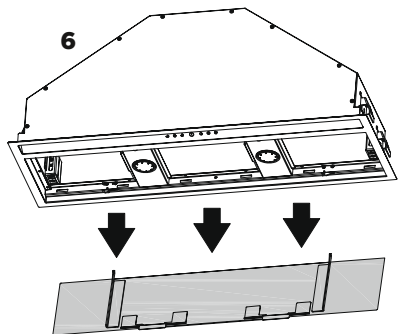
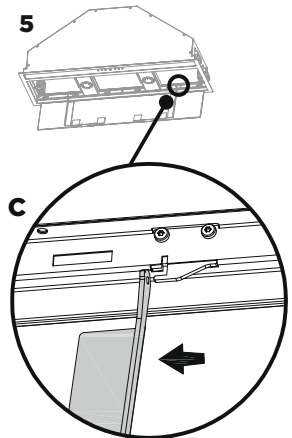
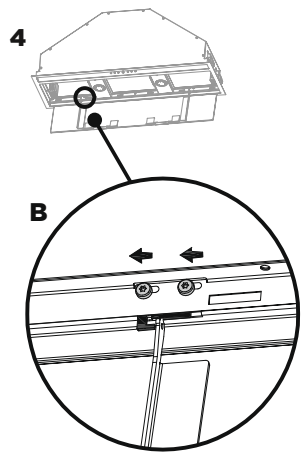
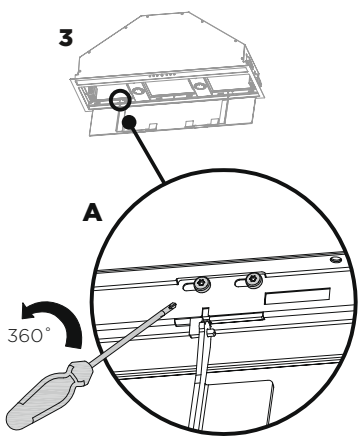
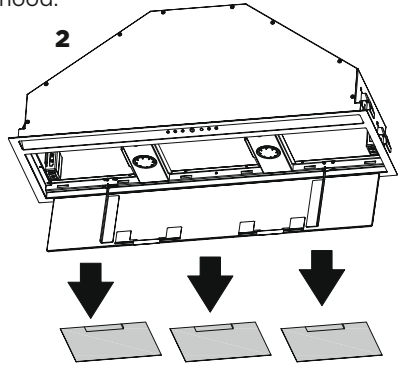
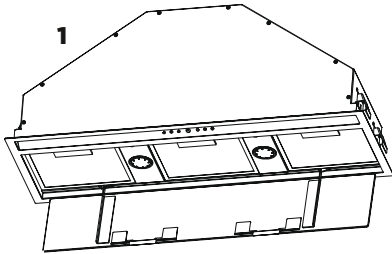
② Fit the 150mm ducting adapter with non return flap to the cooker hood using the screws supplied.

③ Provide an opening on the underside of the cupboard (see product and cabinetry cutout dimensions).



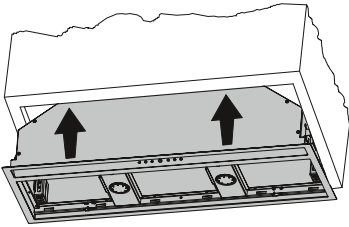
INSTALLATION INSTRUCTIONS

- ④ Remove the filters and face plate of the cooker hood.

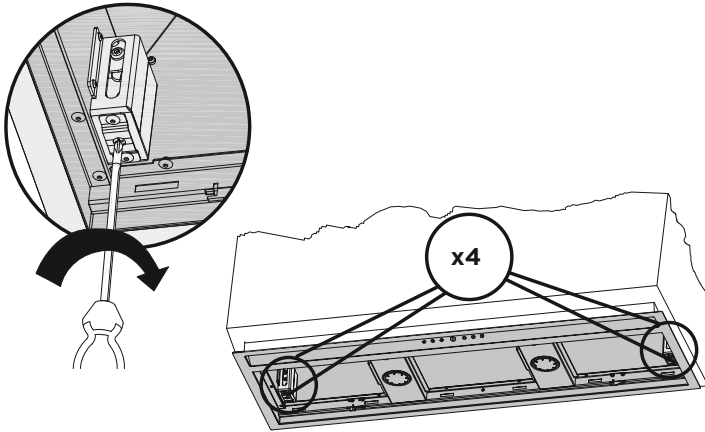


INSTALLATION INSTRUCTIONS

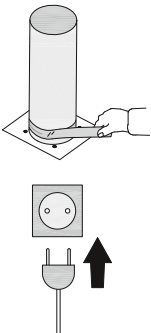
- ⑤ Lift the cooker hood and fit through the opening of the cupboard till the spring loaded brackets/clips hold the product in place.



- ⑥ Secure cooker hood while tightening the 4 brackets/clips.



- ⑦ Connect duct and plug cooker hood in.



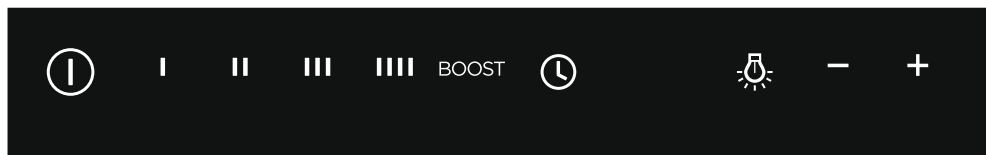
ABOUT YOUR COOKER HOOD - ENERGY EFFICIENCY

Product Fiche EN61591

MODEL	HP60IHCB3 HP90IHCB3
Annual Energy Consumption (kWh/annum)	32.2
Time Increase Factor	1
Energy Efficiency Index	52.8
Energy Efficiency Class	A
Fluid Dynamic Efficiency	28.5
Fluid Dynamic Efficiency Class	A
Lighting Efficiency	16.1
Lighting Efficiency Class	C
Grease Filtering Efficiency	91.2
Grease Filtering Efficiency Class	B
Airflow at Min. Speed (m ³ /hr)	200
Airflow at Max. Speed (m ³ /hr)	525
Airflow at Boost Speed (m ³ /hr)	710
Airborne noise at minimum (dB)	40
Airborne noise at maximum (dB)	64
Airborne noise at Boost (dB)	67
Airflow At Best Efficiency Point (m ³ /hr)	348.4
Electrical Power Input At Best Efficiency Point (W)	76.1
Lighting Nominal Power (W)	7
Lighting Average Illumination (lux)	113
Power consumption in Off mode (W)	0.41
Power consumption in Standby mode (W)	0.41

OPERATING INSTRUCTIONS

Touch control panel



CONTROL PANEL FEATURES

	Power on/off	Turn the cooker hood on or off. The fan automatically turns on to operate at level 1.
	Fan speed 1 - 4	Adjust the fan speed levels from 1 - 4 with 1 being the lowest level and 4 being the highest. The fan speed level icon illuminates red when selected.
BOOST	Boost	Turn the fan onto boost speed. The icon flashes red when it is on. The cooker hood will operate on boost speed for 5 minutes and will then revert to speed 4.
	Timer	Turn the timer on. The fan operates for 5 minutes at the current speed and each descending speed before turning off. The timer icon flashes red when the filters need cleaning. To reset the timer press the button and it will stop flashing and begin counting again.
	Lights on/off	Turn the lights on or off. The lights turn on to the last level selected.
-	Reduce lighting level	Press once to adjust the light to the lowest level. The icon illuminates red when on the lowest level. Press and hold to progressively dim the light level.
+	Increase lighting level	Press once to adjust the light to the highest level. The icon illuminates red when on the highest level. Press and hold to progressively increase the light level.

CLEANING AND MAINTENANCE

IMPORTANT!

Never use abrasive or oil based cleaners

General maintenance

Before performing any cleaning or maintenance on your cooker hood, ensure that the power supply is switched off to the hood.

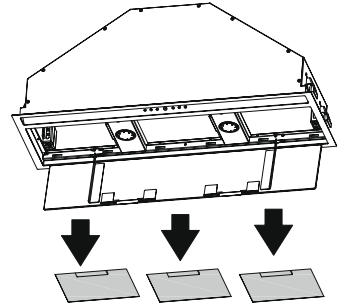
The cooker hood should be cleaned regularly using a mild, liquid detergent to avoid a build up of grease occurring. Grease deposits are corrosive which can cause damage to your cooker hood.

Note: in areas of high humidity or coastal environments, cleaning should be carried out more frequently.

Aluminium filters

- Depending on use, and at least once a month, the aluminium grease filters should be removed and cleaned with hot soapy water or in a dishwasher.
- If washed in a dishwasher, the filters should be placed in an upright position to prevent food from falling on them.
- After rinsing and drying, replace the filters.

Note: some discolouration of the frames may occur.



Removing the aluminium filters:

- ① Open the glass panel.
- ② Pull the relative filter catch, tilting it downwards until it disengages from the supports.
- ③ Reverse these instructions when refitting the filters.

Carbon filters – for use in recirculation mode

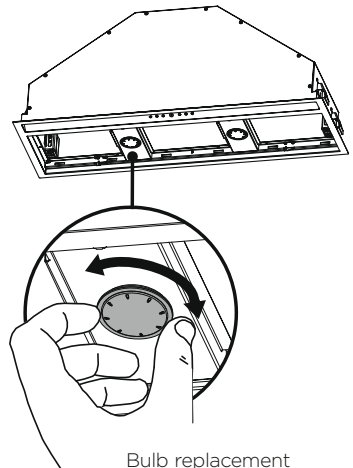
Active carbon filters are disposable items designed to remove grease and odours from cooking vapours before the air is channelled back into the kitchen. The active carbon filters must be replaced periodically to work properly, at least once every three months, depending on the frequency with which the cooker hood is used.

Note: fully saturated carbon filters can become a barrier to air movement therefore limiting cooker hood performance. In the event of fire, grease laden filters could be flammable and therefore regular replacement is recommended.

Light bulb replacement

Please note replacement bulbs are not covered by warranty.

- ① Open the glass panel.
- ② Remove the aluminium filters.
- ③ Unscrew the light bulb.
- ④ Insert the replacement bulb into the lamp socket.
- ⑤ Replace the aluminium filters.
- ⑥ Replace the glass panel.



Bulb replacement

PARTS AND ACCESSORIES

ITEM	REFERENCE NUMBER
LED bulb x2	792556
Aluminium filter	792429
Recirculation carbon filter x2	792481

MANUFACTURER'S WARRANTY

You automatically receive a 2 year Manufacturer's Warranty with the purchase of this Built-in integrated cooker hood covering parts and labour for servicing within the United Kingdom and Ireland.

Fisher & Paykel undertakes to:

Repair or, at its option, replace without cost to the owner either for material or labour any part of the product, the serial number of which appears on the product, which is found to be defective within TWO YEARS of the date of purchase.

Note: this Manufacturer's Warranty is an extra benefit and does not affect your legal rights.

This Manufacturer's Warranty DOES NOT cover

- (A) Service calls which are not related to any defect in the product. The cost of a service call will be charged if the problem is not found to be a product fault. For example:
 - ① Correcting the installation of the product.
 - ② Instructing you how to use the product.
 - ③ Replacing house fuses or correcting house wiring or plumbing.
 - ④ Correcting fault(s) caused by the user.
 - ⑤ Noise or vibration that is considered normal, eg drain/fan sounds, refrigeration noises or user warning beeps.
 - ⑥ Correcting damage caused by pests, eg rats, cockroaches, etc.
 - ⑦ Replacement light bulbs.
- (B) Defects caused by factors other than:
 - ① Normal domestic use; or
 - ② Use in accordance with the product's user guide.
- (C) Defects to the product caused by accident, neglect, misuse or 'act of God'.
- (D) The cost of repairs carried out other than by a Fisher & Paykel trained and supported service technician or the cost of correcting such repairs.
- (E) Normal recommended maintenance as set out in the product's user guide.
- (F) Repairs when the appliance has been dismantled, repaired or serviced by other than a Fisher & Paykel trained and supported service technician or the selling dealer.
- (G) Pick-up and delivery.
- (H) Transportation or travelling costs involved in the repair when the product is installed outside the Fisher & Paykel trained and supported service technician's normal service area.

Nothing in this Manufacturer's Warranty is intended to, or does limit, any rights you may have under law to recover the costs of inspecting or returning the goods to us.

This product has been designed for use in a normal domestic (residential) environment. This product is not designed for any commercial use (whatsoever). Any commercial use by a customer will affect this product's Manufacturer's Warranty.

Service under this Manufacturer's Warranty must be provided by a Fisher & Paykel trained and supported service technician (refer to the 'Customer Care' section at the back of this book). Such service shall be provided during normal business hours. This Manufacturer's Warranty certificate should be shown when making any claim.

Please keep this user guide in a safe place.

CUSTOMER CARE

Before you call for service or assistance...

Check the things you can do yourself. Refer to your user guide and check that:

- ① Your product is correctly installed.
- ② You are familiar with its normal operation.

If after checking these points you still need assistance or parts, please refer to your nearest Fisher & Paykel trained and supported service technician, Customer Care, or contact us through our website www.fisherpaykel.com.

In the United Kingdom if you need assistance...*

Call the Fisher & Paykel Customer Care Centre and talk to one of our Customer Care Consultants.

Phone: 08000 886 605

Fax: 08000 886 606

Website: www.fisherpaykel.com

Postal address: Fisher & Paykel Appliances Ltd, Maidstone Road, Kingston, Milton Keynes, Buckinghamshire, MK10 0BD

In Ireland if you need assistance...*

Call the Fisher & Paykel Customer Care Centre and talk to one of our Customer Care Consultants.

Phone: 1800 625 174 or 01-8077960

Fax: 1800 635 012

Website: www.fisherpaykel.com

Postal address: Fisher & Paykel Appliances, Unit D2, North Dublin Corporate Park, Swords, Co. Dublin

*If you call, write or contact us via our website please provide: your name and address, model number, serial number, date of purchase and a complete description of the problem. This information is needed in order to better respond to your request for assistance.

Product details can be found on the inside of the chassis. The filter needs to be removed to be able to see them.

Registration

Register your product with us so we can provide you with the best service possible. To register your product visit our website: **www.fisherpaykel.com**

CUSTOMER CARE

Complete and keep for safe reference:

Model _____

Serial No. _____

Purchase Date _____

Purchaser _____

Dealer _____

Suburb _____

Town _____

Country _____

www.fisherpaykel.com

© Fisher & Paykel Appliances 2016. All rights reserved.

The product specifications in this booklet apply to the specific products and models described at the date of issue. Under our policy of continuous product improvement, these specifications may change at any time. You should therefore check with your dealer to ensure this booklet correctly describes the product currently available.

GB IE

104040 B 07.16