

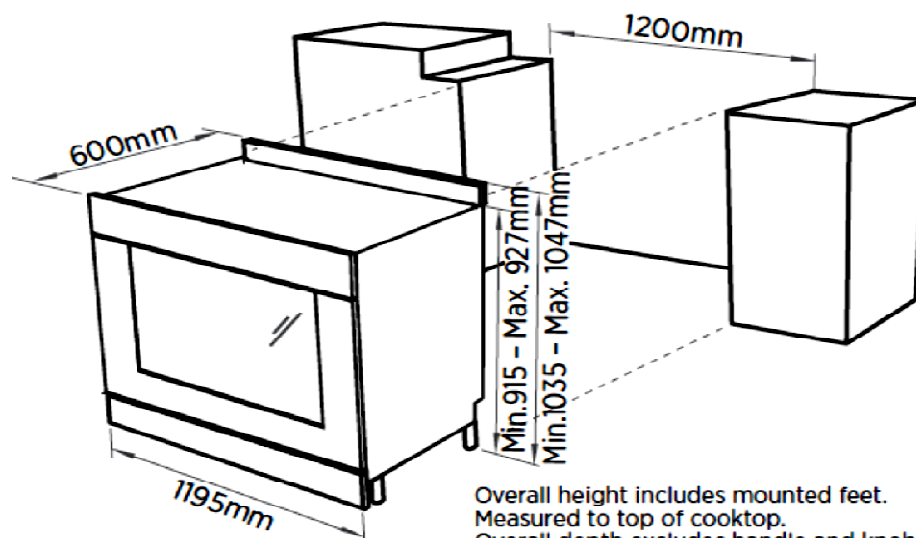


Accessories

- in each oven
- Brushed baking tray 2
- skillet/griddle 1
- Grill pan handles
- Oven shelves 2
- Step down oven 2
- Storage drawer
- Telescopic slide 4 sets
- Wok stand

Cooking Modes

- A** Class Energy Consumption
- 58L** Usable Capacity
- 8** Cooking Programmes
- Flame failure protection
- Gas burners 6
- LPG and Natural Gas compatible
- Splash back
- Wok burner 3.5kW
- Cast iron trivets
- 2 x Dual Burner (MJ/hr) 4,5kW
- Electronic ignition



Overall height includes mounted feet.
 Measured to top of cooktop.
 Overall depth excludes handle and knobs.