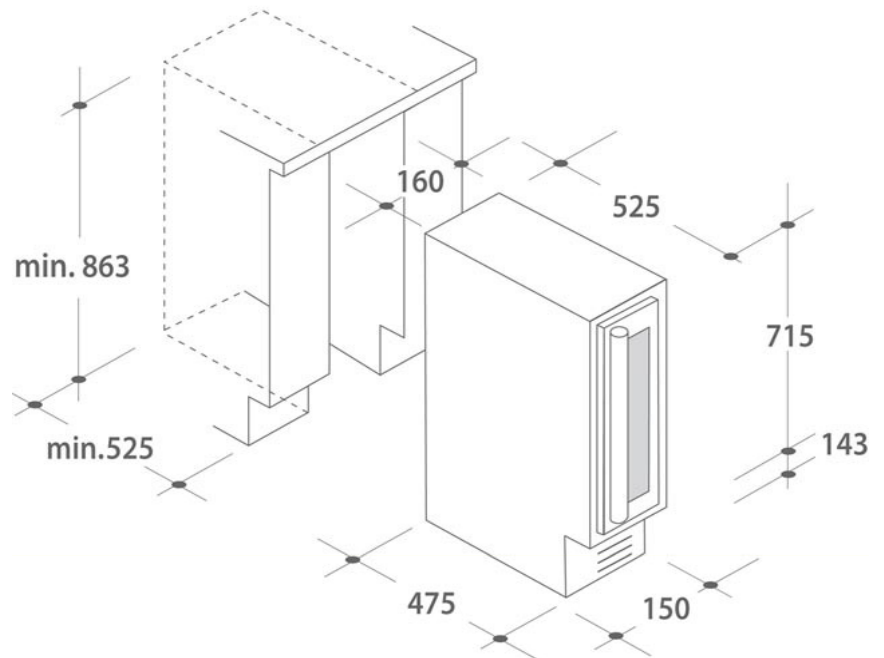


## CANDY BUILT-IN WINE COOLER

MODEL: CCVB15



### MAIN FEATURES

Product name / Commercial code  
 Product code  
 Built-in / Freestanding  
 Capacity in bordeaux bottles

### TECHNICAL FEATURES

Technology  
 Control type  
 Light type

### PROGRAMS AND FUNCTIONS

Number of temperature zones  
 Humidifying equipment

### AESTHETIC

Color of the body  
 Panels Material  
 Material of the shelves  
 Number of shelves  
 Reversible Door  
 Handle material  
 Glass Type

**CCVB 15**  
**34900488**  
**Built-in**  
**7**

**Fan**  
**Digital**  
**LED**

**1**  
**50-80%**

**Black**  
**Plastic**  
**Chromed wire**  
**7**  
**yes**  
**Inox**  
**Transparent**

### PERFORMANCE

Climate class **N**  
 Energy efficiency class - NEW **C**  
 Energy consumption (kWh/d) **0.596**  
 Noise level (dB(A) re 1 pW) **39**  
 Voltage (V) **220-240**

### DIMENSIONS

Height (mm) **870-890**  
 Width (mm) **150**  
 Depth (mm) **525**  
 Net weight (kg) **27**  
 Gross weight (kg) **21.5**