

Wine Coolers



Domestica Ltd
35, Prodromou Avenue,
1095 Nicosia.
Tel. 22666333 Fax: 22664441
[Email:contact@domestica.com.cy](mailto:contact@domestica.com.cy)
[Email:hoover@domestica.com.cy](mailto:hoover@domestica.com.cy)

CCVA155GL

Capacity in liters (Lt): 117Lt
Number of storage bottles: 40
Temperature Control : mechanical
Dimensions (cm): 84x50x56
Gas Refrigerant: R600
Design: Black
Working Temperature Rang: 7-18 °C
4 x Chrome bottle shelves
1 x Chrome bottle rack
Light Switch
2 Layer Glass Door
Power: 220-240V 50Hz

CCVA155GL Energy class A

Model: CCVA155GL

CCV200 GL / CCVA200GL

Capacity in liters (Lt): 117Lt
Number of storage bottles: 40
Digital Temperature Control
Dimensions (cm): 84x50x56
Gas Refrigerant: R600
Design: Black
Working Temperature Range:
7-18°C
4 x Wooden shelves
1x wooden bottle rack
Light Switch
2 Layer Glass Door
Power: 220-240V 50Hz

CCVA200GL Energy class A

Model: CCV200GL

Model: CCVA200GL

HWC2335



- 33 bottle capacity
- Digital Display
- Dual (2x) temperature control areas
- Store Red and White Wine
- Temperature Range 3°-18° C
- Electronic Sensor Control
- UV Proof Glass Door
- Internal Light
- Wooden Shelves
- Stylish Metal Handle
- Stainless Steel Door Frame
- 84x49x59cm

To meet the demands of today's sophisticated consumer, Hoover has developed a superb wine unit technology. The useful 33 or 53 bottle models, boast an electronic sensor system that allows dual temperature control with digital display, ideal for storing red and white wine at different temperatures in the same cabinet.

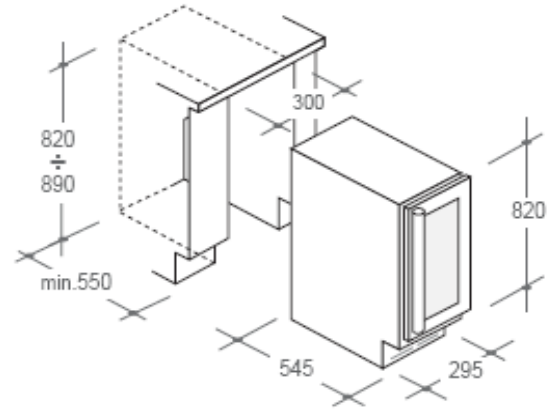
HWC2536DL



- 53 bottle capacity
- Digital Display
- Dual (2x) temperature control areas
- Store Red and White Wine
- Temperature Range 3°-18° C
- Electronic Sensor Control
- UV Proof Glass Door
- Internal Light
- Wooden Shelves
- Stylish Metal Handle
- Full Stainless Steel
- 142x49x59cm

CCVB60UK

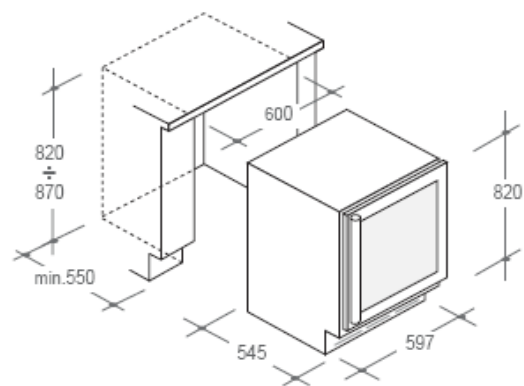
A
55L 12 BOTTLES
LCD DISPLAY
30 CM



To meet the demands of today's sophisticated fitted kitchens, Candy has developed a superb integrated wine cabinet range. The useful 30 and 60 cm width dimension to perfectly fit the standard kitchen cabinets. High quality materials like inox door frames and wooden shelving are standard. Electronic sensors and dual temperature control with digital display, ideal for storing red and white wine at different temperatures in the same cabinet. Lighting in cool blue LED and front cooling ventilation completes the perfect fitted integration looks.

CCVB120

A
120L 35 BOTTLES
LCD DISPLAY
60 CM



RCVB110T

- 24 bottle capacity
- 2 independent zones
- Temperature adjustment - 4 to 18°C
- 2 digital displays
- Electronic sensor control
- 2 double glazed doors
- Side by side door opening
- Full flashed glass doors
- Inox door frames and handles
- Natural wood shelving
- Blue interior light by LEDs
- Integrated model with front ventilation
- Total volume Net: 110 liters
- Height adjustable feet
- Lock on both doors

