



2015 collection

ROSIÈRES ©
EXPERT APPLIANCES

The epic history of a great brand: of men, a place, and audacity.

1102

One of the first water mills is built on the lands of Rosières (whose name is derived from the Latin, Rosarie, the land of rose bushes). Beginning at the end of the twelfth century, it is enlarged by a canal, fed by the Cher River, which is dug by metalworkers, the Cistercians from the Prée Abbey.



Rosières: almost two centuries of history

1836

Endless woods, plentiful water, and soil rich in iron... A perfect natural synergy: the Marquis de Boissy, enraptured, then builds a foundry near the mill that is fed by charcoal and mined iron.

1869

It is the height of the Industrial Revolution, engineers have begun to take part, and Rosières inherits new know-how: its owner, the politician and master metalsmith, Jules Roussel, begins producing pottery and cooking appliance there.



Jules Roussel, 1869



Rosières Foundry Workers, 1896

1896

Rosières becomes an incorporated company, which says little of its achievements: more than 600 employees proudly work at the company and their work is famous throughout the country.

1909

purred on by Henri Magdelénat, Rosières begins producing enamelwork and enamelled cast iron. New products are launched: enamel cookers and notably wood and coal stoves.

However, the Revolution is predominantly a social one: the town will soon have 1,800 inhabitants, 500 homes, a dispensary, nursery, workshop, co-operative grocer, sport clubs, an independent savings bank, and even family allowances.

1934

In 1934, Rosières obtains an exclusive licence for France and several other countries for the famous AGA cookers invented in Sweden by Dr Dalen, a Nobel Prize winner in physics. They will be produced until 1966.



1962

The implementation of an export network, listing on the stock market, and increased modernisation in manufacturing tools are testament to the continuously increasing expectation for perfection. In this trend, the first built-in products also appeared, the success of which is recognised to this today.

1972

When Rosières sees red—a true success.

1974

The 10,000 cookers, the first built-in cookers in Europe.



1987

Speaking of these great Italian entrepreneurs, the Fumagalli family buys Rosières with the goal of carrying on the business's extraordinary know-how as best as possible, but also with the ambition of making it a recognised brand in the future for its luxury character and specialist calibre.



Table Gaz
Monolithique
Ghisa

2010

Rosières welcomes the inscription of French cuisine in UNESCO's World Heritage List and commits to protecting it passionately. Sign of the times: a gold medal is awarded to the brand's designers by the British magazine Designer for creating the flat iron hob.

2012

Rosières launches the PRODIGE oven line during an unusual roadshow that travelled through all of France to meet with customers.





Rosières, Expert appliances

The brand's production workshops resemble Rosières' kitchens, where materials are worked with care, a hint of innovation, and a passionate desire to create products that will last forever.

Fortunately, our inspired craftspeople have good heads on their shoulders.

For artisans, strength, culinary excellence, and functionality are the key watchwords. For our gourmets, occasional chefs, or passionate experts, the art lies in the heightening of flavours and creation of perfumed dishes.

Human talents (that is, our gastronomy) are a priceless asset. It is up to Rosières and its admirers to make sure that it is known.



Two prestigious companies at the service of culinary excellence



The talent of Rosières is creating cooking appliances of excellence.

Bringing the taste of good cuisine is the talent of Lenôtre.

Combining these two arts could only have one result: magic.

ECOLE
LENÔTRE
PARIS

ROSIÈRES 
EXPERT APPLIANCES

Rosières supplies equipment to the Lenôtre Schools of Pavillon Elysée, Vincennes, Paris Parly 2, and Cannes.



The Privilege Collection

The Privilege Collection combines equipment that blends technological innovation and bold design.

The Candy Hoover Group wishes to limit their distribution to professionals offering customers the services and guidance necessary for these premium products.

A distribution agreement is also required to market the products from this catalogue that bear the "Collection Privilege" logo.

OVENS

Prodige	page 10
Initiale	page 19
Tradis	page 24

COMPACT OVENS

45 cm compact ovens	page 30
38 cm microwave ovens	page 36

HOBS

Induction	page 40
Ceramic glass	page 52
Gas	page 58

HOODS

Island	page 86
Decorative	page 88
Extractor	page 98
Integrated	page 99
Telescopic	page 100
Fume filters	page 101

REFRIGERATION

Refrigerators	page 116
Freezers	page 121
Wine refrigerators	page 123

LAUNDRY AND DISHWASHING

Dishwashers	page 134
Washing machines	page 144

FREESTANDING

page 150



78-LITRE CAPACITY

L'espace... un doux luxe.

Space... a sweet luxury. The Prodigé oven offers an exceptional volume of 78 litres with standard cut-out space. This means 40% more volume compared to a standard oven and a cooking surface that is 20% larger.

Size advantage: this oven, with 5 cooking levels, offers unequalled flexibility.



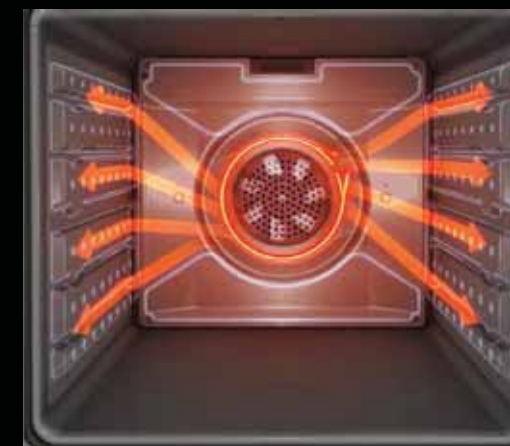
EXP'R PROFESSIONAL COOKING

Rosières brings professional expertise to all of your culinary endeavours.

The side walls of Prodigé ovens feature Exp'R technology, which favours quick, even, and controlled cooking throughout the entire cavity.

How it works:

Perfectly integrated with the muffle, the side walls possess over 100 holes that regulate temperature, humidity, and air circulation for optimal cooking control and excellent results.



ADVANTAGES OF EXP'R COOKING:

- Enhanced cooking preserves the texture and moisture of food
- Even cooking over multiple heights
- Flavour and nutrition preserved.



ENERGY CLASS A-20%

Prodigé ovens consume 20% less energy than other class A products. Your Prodigé oven will not consume more energy than a standard-capacity oven.

This technological feat is made possible by a high-performance door: 4 glass panes and a thickness of over 5 cm enable optimal isolation.



GLASS FINISHING: FULL BLACK, BLACK STAINLESS STEEL, AND WHITE

Desirable finishes that give a kitchen prestige: sensual matt black, intriguing black stainless steel, or majestic white.



FORCED AIR

This function is recommended for poultry, baked goods, fish, vegetables, etc. It is the ideal function for completely even cooking on multiple levels, without odour mixing. The elements on the oven floor and roof, combined with a fan and circular element, favour this optimal result.



FAN ASSISTED

Recommended for pastries or cakes that need to be crispy on the outside and moist on the inside. The floor and roof elements work together with the fan.



TURBOGRILL

Recommended for cooking deep dishes and whole items such as pork roasts, poultry, etc. The fan blows air out of the roof.



GRILL

Sure success for grilled meat, skewers, and gratins. Heat is produced from the roof element only.



TURBOJACK

Uses the roof element, fan, and roasting jack to bring back all of the old-fashioned flavours of a rotisserie. Ideal for large pieces of meat and prevents food from drying out.



KEEP WARM

To keep dishes warm, for meringues, or re-heating serving plates. Regulated temperature of 60 °C.



LOWER HEAT WITH FAN

This function is ideal for juicy fruit tarts, pies, and quiche. It prevents foods from becoming dry and favours rising when baking cakes, dough, and more. Heat is emitted from the oven floor; and the fan ensures that hot air is distributed throughout.



LOWER HEAT ONLY

Ideal for baking crème caramel, flans, terrines, slow cooking, braising (chicken, beef, etc.). Only the element on the oven floor is activated.



ROASTING JACK

Uses the roof element and roasting jack to bring back all of the old-fashioned flavours of a rotisserie. Perfect for small to medium cuts of meat.



NATURAL CONVECTION

This function is ideal for all types of old-fashion cooking, searing red meat, roast beef, leg of lamb, game, bread, recipes en papillote, and puff pastry. Heat is produced by the floor and roof elements.



DEFROST

This function allows for accelerated defrosting (40 °C) before cooking.

ADD-ON ACCESSORIES

There are a number of accessories that can be used to take full advantage of a versatile oven: more pan stands, a baking tray, dripping pan, roasting jack, and a divider for double-cavity models.

The Teflon baking tray, a wonder of innovation:

Thanks to Teflon, nothing will stick to the bottom of the baking tray. Say goodbye to buttering or greasing.



PYROLYTIC CLEANING

The self-cleaning pyrolysis system allows for the entire oven to be cleaned automatically through high temperatures. Adjust the cleaning setting according to the level of grime. Your oven does the rest. According to the model, 2 or 3 cleaning cycles (eco, normal, and super) are offered.



CHILD SAFETY

To protect children, activate Child Safety mode. This will automatically lock the oven's controls.



RFA 77 F IN

RFA 77 F
PRODIGE PYROLYTIC OVEN, EXP'R, LED LIGHTING

- Large capacity: 73 litre volume
- Forced hot air
- 5 cooking levels
- Energy class A – 20%
- Exp'R professional cooking
- Drop-down door with LED lighting
- 10 cooking settings
- LCD programmer screen with navigation button
- Temperature regulated by 1 electronic sensor
- Pyrolytic cleaning: 3 settings
- Soft close

Product no	Colour
RFA 77 F IN	Stainless steel
RFA 77 F NX	Black stainless steel
RFA 77 F RB	White Rose

Cut-out (mm): H 590 x W 560 x D 560



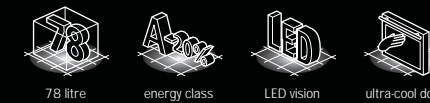
RFA 2 V IN

RFA 2 V IN
PRODIGE MULTIFUNCTION OVEN, LED LIGHTING

- Large capacity: 78litre volume
- Forced hot air
- 5 cooking levels
- Energy class A – 20%
- lateral wire grids
- Telescopic guides
- Drop-down door with LED lighting
- 8 cooking settings
- Touch timer screen
- Side handles – easy installation
- Soft close

Product no	Colour
RFA 2 V IN	Stainless steel

Cut-out (mm): H 590 x W 560 x D 560





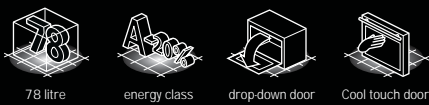
RFA 1 IN

RFA 1 PRODIGE FAN ASSISTED OVEN

- Large capacity: 78litre volume
- Fan-assisted
- Lateral wire grids
- 5 cooking levels
- Energy class A – 20%
- Drop-down door
- 8 cooking settings
- Touch timer screen
- Side handles – easy installation

Product no	Colour
RFA 1 IN	Stainless steel
RFA 1 BX	White stainless steel
RFA 1 NX	Black stainless steel

Cut-out (mm): H 590 x W 560 x D 560



RFA 1 BX



RFA 1 NX



RFO 265 IN

RFO 265 Push-Push knobs, catalytic oven

- Catalytic panels
- Fan-assisted
- 8 cooking settings
- Energy class A – 20%
- touch timer screen • full glass inner door
- Mirror Stopsol outer door
- Oven volume: 65 litres

Product no	Colour
RFO 265 IN	Stainless steel
RFO 265 PN	Black pearl
RFO 265 RB	White Rose

H 580 x W 560 x D 550



RFO 265 PN



RFO 265 RB





RFO 465

Push-Push knobs, fan assisted oven

- Fan-assisted
- 8 cooking settings
- Energy class A – 20%
- Lateral wire grids
- Telescopic guides
- Touch timer screen
- Full glass inner door
- Transparent outer door
- Hydro Pure cleaning system
- Oven volume: 69 litres

Product no	Colour
RFO 465 IN	stainless steel
RFO 465 NX	black inox
RFO 465 BN	white inox

H 580 x W 560 x D 550



69 litres



Energy class



Cool touch door

COLLECTION
PRIVILEGE



New Initial e Ovens

PRECOTOUCH TOUCH PROGRAMMER

A 100% touch-control programmer that combines a high-tech look with extreme simplicity of use.

Practical: once the desired setting has been selected, the oven automatically suggests the best temperature, which you are free to change as desired.



PREMIUM MIRROR DOOR

Let yourself be drawn in by the reflective look of this oven, which will bring a refined finish to your kitchen. A touch of glamour that will fill your home with a soft sparkle.



SOLID GLASS INNER DOOR

100% of Rosières ovens are fitted with glass inner doors. The inner door is made entirely of glass.

Completely flat and smooth, cleaning your oven is even easier.



ANTI-FINGERPRINT STAINLESS STEEL

The outer surface of Rosières ovens is always impeccable thanks to a special treatment. Oven cleaning and upkeep has never been easier.

PYROLYTIC CLEANING

The self-cleaning pyrolysis system allows for the entire oven to be cleaned automatically through high temperatures (500 °C). According to the level of grime, select the most suitable pyrolysis setting (eco or super), and let your oven do the rest.



RFO 2 IN

Push-Push knobs, fan assisted oven

- Fan-assisted
- 8 cooking settings
- Energy class A - 20%
- Lateral wire grids
- Telescopic guides
- Touch timer screen
- Full glass inner door
- Mirror Stopsol outer door
- Hydro Pure cleaning system
- Oven volume: 69 litres

Product no	Colour
RFO 2 IN	stainless steel

H 580 x W 560 x D 550



RFI 4264 MIN

Fan assisted oven

- Fan-assisted
- 6 cooking settings
- Energy class A - 20%
- Lateral wire grids
- Touch timer screen
- Full glass inner door
- Transparent glass outer door
- Hydro Pure cleaning system
- Oven volume: 69 litres

Product no	Colour
RFI 4264 MIN	stainless still

H 580 x W 560 x D 550





RFI 4064 MIN

Fan assisted oven

- Fan-assisted
- 6 cooking settings
- Energy class A – 20%
- Lateral wire grids
- 3 knobs control panel
- Full glass inner door
- Transparent glass outer door
- Oven volume: 69 litres

Product no	Colour
RFI 4064 MIN	stainless steel

RFI 4064 MIN

H 580 x W 560 x D 550



RFE 9163/2 MIN

Multifunction oven, 90 cm

- Lateral wire grids
- 6 buttons control panel
- 10 cooking settings
- Electronic programmer
- Turnspit • 3 glass layer door
- Oven volume: 84 litres

Product no	Colour
RFE 9163/2 MIN	stainless steel



RFE 9163/2 MIN

H 475 x W 860 x D 550



RFT 5577

Tradis pyrolytic oven

- Start/end cooking timer
- Fan-assisted
- 7 cooking settings
- Cool door
- Temperature regulated by electronic sensor
- Pyrolytic cleaning
- Oven volume: 54 litres
- Roasting jack

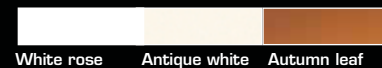
Product no	Colour
RFT 5577 AV	Anthracite
RFT 5577 RBV	White rose
RFT 5577 BAV	Antique white
RFT 5577 FAV	Autumn leaf

RFT 5577 AV

Cut-out (mm): H 580 x W 560 x D 550



Aged brass finish





RFG 1010/2 CIN

RFG 1010/2 CIN

oven, gas grill

- Lateral wire grids
- 5 cooking settings
- 2 knobs and display
- Turnspit
- Oven volume: 55 litres

Product no	Colour
RFG 1010/2 CIN	stainless steel

H 580 x W 560 x D 550



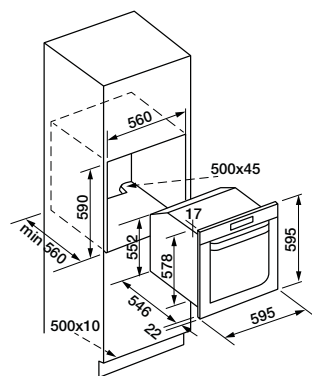
RLG 202 IN

oven, electric grill

- Embossed cavity
- 3 cooking settings
- 3 knobs control panel, 60' minute minder
- Oven volume: 55 litres

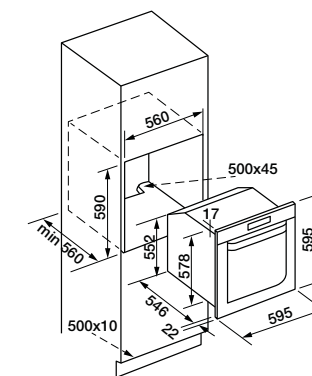
Product no	Colour
RLG 202 IN	stainless steel

PRODIGE OVENS



Product numbers	RFA 77 F IN/NX/RB	RFA 2 VIN	RFA 1 IN/BX/NX
Colours	inox / black / white	inox	inox / white / black
FUNCTIONS			
Lower heat only	x		
Lower heat with fan	x	x	x
Natural convection	x	x	x
Fan-assisted	x		x
Pulsed heat	x	x	
Grill	x	x	x
Turbogrill	x	x	x
Turnspit	x		
Turbo turnspit	x		
Defrost	x	x	x
Keep warm	x	x	
Pizza		x	x
SPECIFICATIONS			
Cavity	embossed	lateral wire grids	lateral wire grids
Fan	x	x	x
Temperature sensor	x	x	x
Exp'R professional cooking	x		
Screen	LCD	Timer Touch	Timer Touch
Controls	2 knobs + touch timer	2 knobs + touch timer	2 push push knobs + touch timer
Door lighting	LED	LED	
Delayed start	x	x	x
Temp. regulation	x	x	x
Variable recommended temp.	x		
Door	drop down	drop-down	drop-down
Inner door	solid glass	solid glass	solid glass
Softclose	x		
Volume (L)	73	78	78
Catalytic converter	x		
CLEANING			
Type	pyrolytic	Enamelled	Enamelled
Pyrolytic cycle	Eco/normal/Super		
SAFETY			
Control lock	x		
ACCESSORIES			
Anti-tip pan stand	3	2	2
Dripping pan	x	2	2
Telescopic guides		x	
Roasting jack	x		
CONSUMPTION			
Energyclass	A-20%	A-20%	A-20%
Nat. conv. cons.	0,80 kWh	0,80 kWh	0,80 kWh
Forced conv. cons.	0,90 kWh	0,90 kWh	0,90 kWh
Pyro.cycle cons.	3,4 kWh		
CONNECTION/DIMENSIONS			
Connection	230V + Earth - 16A	230V + Earth - 16A	230V + Earth - 16A
Cut-out dim. (cm) WxDxH	59 x 56 x 56	59 x 56 x 56	59 x 56 x 56
EAN Codes	8016361864665 8016361864672 8016361864689	8016361887978	8016361887985 8016361887992 8016361888005

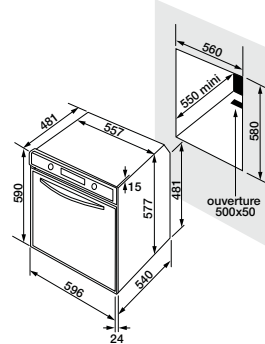
RFO 265 / RFO 465 / RFO 2



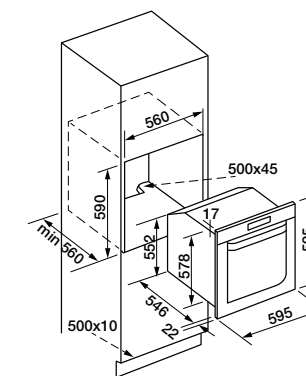
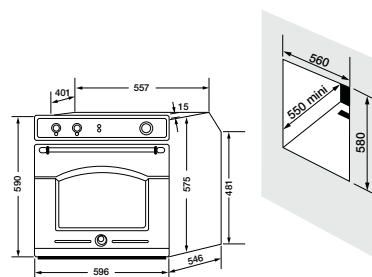
Product numbers	RFO 265 IN/PN/RB	RFO 465 IN/NX/BX	RFO 2 IN
Colours	inox / black / white	inox / black / white	Inox
FUNCTIONS			
Lower heat only			
Lower heat with fan	x	x	x
Natural convection	x	x	x
Fan-assisted	x	x	x
Pulsed heat			
Grill	x	x	x
Turbogrill	x	x	x
Turnspit			
Turbo turnspit			
Defrost	x	x	x
Keep warm			
Pizza	x	x	x
SPECIFICATIONS			
Cavity	embossed	lateral wire grids	lateral wire grids
Fan	x	x	x
Temperature sensor	x	x	x
Exp'R professional cooking			
Screen	Timer Touch	Timer Touch	Timer Touch
Controls	2 push push knobs + touch timer	2 push push knobs + touch timer	2 knobs + touch timer
Door lighting			
Delayed start	x	x	x
Temp. regulation	x	x	x
Variable recommended temp.			
Door	drop-down stopsol	drop-down	drop-down stopsol
Inner door	solid glass	solid glass	solid glass
Softclose			
Volume (L)	69	69	69
Catalytic converter			
CLEANING			
Type	Catalitic	Hydro Pure	Hydro Pure
Pyrolytic cycle			
SAFETY			
Control lock			
ACCESSORIES			
Anti-tip pan stand	2	2	2
Dripping pan	1	2	1
Telescopic guides		x	x
Roasting jack			
CONSUMPTION			
Energyclass	A-20%	A-20%	A-20%
Nat. conv. cons.	0,80 kWh	0,80 kWh	0,80 kWh
Forced conv. cons.	0,90 kWh	0,90 kWh	0,90 kWh
Pyro.cycle cons.			
CONNECTION/DIMENSIONS			
Connection	230V + Earth - 16A	230V + Earth - 16A	230V + Earth - 16A
Cut-out dim. (cm) WxDxH	58 x 56 x 55	58 x 56 x 55	58 x 56 x 55
EAN Codes	8016361887886 8016361887893 8016361887909	8016361888012 8016361888029 8016361888036	8016361887879

TECHNICAL SPECIFICATIONS

RFI4264MIN / RFI4064MIN



RFT 5577



Product numbers	RFI4264MIN	RFI4064MIN	RFT 5577
Models			MF pyro
Colours	Inox	Inox	AV / RBV / BAV / FAV
FUNCTIONS			7
Lower heat only			
Lower heat with fan	x	x	x
Natural convection	x	x	x
Fan-assisted	x	x	x
Grill	x	x	x
Turbogrill	x	x	x
Roasting jack			x
Turbojack			x
Defrost			x
SPECIFICATIONS			
Cavity	lateral wire grids	lateral wire grids	
Fan	x	x	
Temperature sensor	x	x	
Screen	Timer Touch		clock
Controls	2 knobs + touch timer	3 knobs	knobs
Delayed start	x	x	12 hrs.
Temp. regulation	x	x	classic
Variable recommended temp.			
Door	drop-down	drop-down	
Inner door	solid glass	solid glass	
Volume (L)	69	69	
Catalytic converter			x
Oven lighting			x
Double ventilation			x
Internal volume			54 L
CLEANING			
Type	Hydro Pure	enamelled	pyrolytic
Pyrolytic cycle			normal
SAFETY			
GIFAM cool door			x
Control lock	x		
ACCESSORIES			
Baking tray			1
Anti-tip pan stand	2	2	
Dripping pan	1	1	x
Anti-tip pan stand			2
Roasting jack			1
CONSUMPTION			
Energyclass	A-20%	A-20%	A
Nat. conv. cons.	0,80 kWh	0,80 kWh	0,76 kWh
Forced conv. cons.	0,90 kWh	0,90 kWh	1 kWh
Pyro.cycle cons.			3 kWh
CONNECTION/DIMENSIONS			
Connection	230V + Earth - 16A	230V + Earth - 16A	16A
Packaged/unpackaged weight (kg)			45 / 47
Packaged dim. H x W x D (cm)			70 x 66 x 70
Unpackaged dim. H x W x D (cm)			59 x 59,6 x 54,6
Cut-out dim. (cm) WxDxH	58 x 56 x 55	58 x 56 x 55	58 x 56 x 55
EAN Codes	8016361879324	8016361879317	AV 801 636 171 7893 RBV 801 636 171 7855 FAV 801 636 171 7886 BAV 801 636 171 7947

Product numbers	RFE 9163/2 MIN	RFG 1010/2 CIN	RLG 202 IN
Colours	inox	inox	inox
FUNCTIONS			
Lower heat only	x		
Lower heat with fan	x		
Natural convection	x		
Fan-assisted	x		
Pulsed heat	x		
Grill	x	x	x
Grill + turnspit		x	
Turnspit	x		
Turbo turnspit			
Defrost	x		
Keep warm			
Gas		x	x
SPECIFICATIONS			
Cavity	lateral wire grids	embossed	embossed
Fan	x		
Temperature sensor	x	x	x
Exp'R professional cooking			
Screen	electronic buttons	electronic 3 buttons	
Controls	2 knobs + button timer	2 knobs + button timer	3 knobs
Door lighting			
Delayed start			x
Temp. regulation		x	x
Variable recommended temp.			
Door	drop-down	drop-down	drop-down stopsol
Inner door	solid glass	solid glass	solid glass
Softclose			
Volume (L)	79	54	
GAS		G30 (G20)	
CLEANING			
Type	Catalitic	Hydro Pure	Hydro Pure
Pyrolytic cycle			
SAFETY			
Control lock			
ACCESSORIES			
Anti-tip pan stand	1	1	1
Dripping pan	2	1	1
Telescopic guides			
Roasting jack			
CONSUMPTION			
Energyclass	A	n.a.	A-20%
Nat. conv. cons.	0,80 kWh	n.a.	0,80 kWh
Forced conv. cons.	0,90 kWh	n.a.	0,90 kWh
Pyro.cycle cons.			
CONNECTION/DIMENSIONS			
Connection	230V + Earth - 16A	230V + Earth - 16A	230V + Earth - 16A
Cut-out dim. (cm) WxDxH	86 x 55 x 47,5	56 x 55 x 58	56 x 55 x 58
EAN Codes	8016361858268	8016361858459	8016361858480



COLOUR-COORDINATED STYLE

Rosières' new compact collection harmonises with the Prodiges oven collection. The stylised comma, a Rosières trademark, and clean lines demonstrate the desire to assert a single style throughout your kitchen (ovens, compact ovens, hobs, etc.).



STEAMING

Steamed food is one of the healthiest. It is a gourmet technique and protects the qualities and flavour of food. Nutritional properties, vitamins, and mineral salts are thus preserved. Additionally, steam melts the fat from meat, thereby ensuring perfectly healthy cuisine.

FLEXIBLE STEAMING

Choose the best steam setting according to your dish:

- 40 °C for yogurt and delicate foods;
- 80 °C to poach fish and meat as well as to prepare desserts;
- 100 °C to prepare and reheat vegetables, rice, fish, and meat, or to defrost and cook vegetables.



WEIGHT/TIME DEFROST

This function automatically chooses the defrost time for foods once their weight has been entered. Otherwise, you can adjust it to adapt to the time you have available: this allows for food to be defrosted without the risk that items like meat, fish filets, fruits, etc. become cooked.



stainless steel cavity

The ideal material in terms of nutritional hygiene, the stainless steel cavity, through its light-reflecting properties, also allows for clearer visibility of foods inside the cavity.

CLASS A

The highest mark for energy consumption: a gesture for the environment.



cherry clafouti

An exclusive Lenôtre recipe for Rosières. Prepared in the Rfa98fIn Prodigé oven.

Serves 4

Prep time: 20 minutes/Cooking time: 40 minutes

50 g caster sugar and 25 g corn starch

100 g whipping cream and 80 g milk

1 g fine salt

25 g pistachio paste

50 g whole eggs + 20 g egg yolks

250 g cherries

Mix together the sugar, corn starch, salt, and pistachio paste.

Add the cream, milk, and eggs.

Whisk everything, then blend in a blender.

Pour the clafouti mixture into individual moulds and add the cherries, whose pits you have removed.

Bake in your Prodigé oven at 160 °C on the Forced Air function for approximately 30 to 40 minutes.

Suggested accompaniment: a pink dragee-sprinkled tuile wafer.





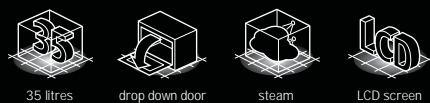
RFV 460 EIX

RFV 460
45 cm STEAM OVEN

- Prodigé-style
- Multi-view display
- 3 cooking settings
- 50 programs
- Steam
- Stainless steel cavity
- Class A
- 35 litres
- Child safety

Product no	Colour
RFV 460 EIX,	Stainless steel

H 452 x W 568 X D 550



35 litres

drop down door

steam

LCD screen



RMC 350 EIN

RMC 350
45 CM COMBINATION MICROWAVE OVEN

- Prodigé-style
- 32 cm-ø rotating removable plate
- Multi-view display
- 6 cooking settings
- 11 programs
- Stainless steel cavity
- 3-pane ventilated door
- 35 litres
- Child safety
- 5 defrost settings
- Weight/time defrost

Product no	Colour
RMC 350 EIN,	Stainless steel

H 452 x W 568 x D 550



35 litres

Combine

Drop down door

LCD



RMG 350 EIN

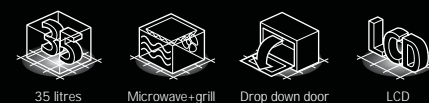


RMG 350
45 CM GRILL MICROWAVE OVEN

- Prodigé-style
- 32 cm-ø rotating removable plate
- Multi-view display
- 3 cooking functions
- Grill power
- 11 programs
- Stainless steel cavity
- Child safety
- 35 litres
- 5 defrost functions • Weight/time defrost

Product no	Colour
RMG 350,	Stainless steel

H 452 x W 568 x D 550



35 litres

Microwave + grill

Drop down door

LCD





RMG 28 DF IN

H 380 x W 560 x D 385

RMG 28 DF 38 CM BUILT-IN GRILL MICROWAVE OVEN

- 31.5 cm-ø rotating plate
- New trimless look
- Multi-view display
- 4 functions
- 8 programs
- Child safety
- Weight/time defrost
- Stainless steel cavity
- 28 litres

Product no	Colour
RMG 28 DF IN	stainless steel
RMG 28 DF PN	black pearl



28 litres



Microwave grill



Side-open door



RMG 28 DF PN



RMG 20 DF PN

RMG 20 DF

RMG 20 DF 38 CM BUILT-IN GRILL MICROWAVE OVEN

- 24.5 cm-ø rotating plate
- New trimless look
- Multi-view display
- 4 functions
- 8 programs
- Child safety
- Weight/time defrost
- Stainless steel cavity
- 20 litres • Low width (32cm) for high installation

Product no	Colour
RMG 20 DF IN	Stainless steel
RMG 20 DF PN	Black pearl
RMG 20 DF RB	



20 litres



Microwave grill



Side-open door



RMG 20 DF IN



RMG 20 DF RB



RDTC 140/1 MIN

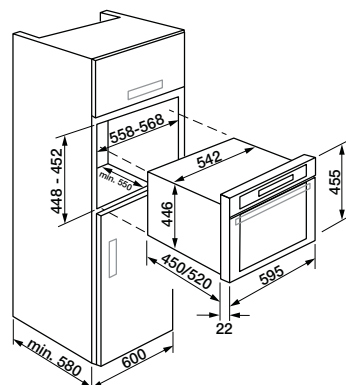
H 140 x W 560 x D 550

RDTC 140/1 14 CM WARMING DRAWER

- To preheat plates and cups
- Handleless, stainless steel finish to match the Prodiges line
- Push-to-open
- 7 temperature levels (30 to 75 °C)

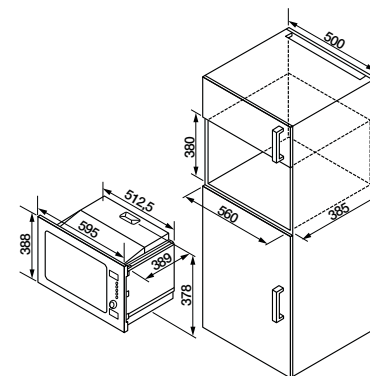
Product no	Colour
RDTC 140/1	Stainless steel

RFV 460 EIX / RMC 350 EIN / RMG 350 EIN

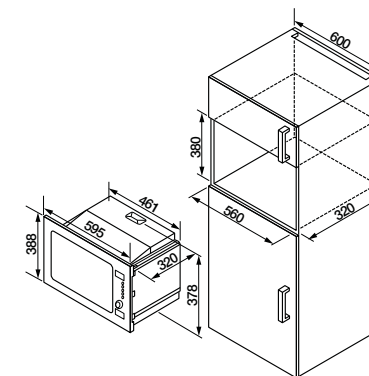


Product numbers	RFV 460	RMC 350	RMG 350
Models	Steam oven	Micro-ondes combiné	Micro-ondes + grill
Colours	EIX	EIN	EIN
Front face	Glass/Stainless	Glass/Stainless	Glass/Stainless
Capacity	35	35	35
Int. dimensions H x W x D (cm)	21 x 42 x 39	21 x 42 x 39	21 x 42 x 39
Int. lining	Stainless steel	Stainless steel	Stainless steel
Timer	x	x	x
POWER/CONSUMPTION			
Microwave output power		1000 W	1000 W
Grill power		1500 W	1500 W
Forced air	1500 W		
FUNCTIONS			
Upper heat only			
Lower heat only			
Natural convection			
Grill		x	x
Fan-assisted		x	
Grill + fan-assisted		x	
Steam	x		
Reheat function	x		
PRO combination			
Forced air			
Combination convection			
Low temperature	x		
Microwave		x	x
Microwave+grill		x	x
Microwave + fan-assisted		x	
Defrost		5	5
GENERAL SPECIFICATIONS			
Rotating plate		32 cm	32 cm
Controls	Electronic	Electronic	Electronic
Pre-programmed functions		6	3
Automatic programs	50	3	3
Lighting	x	x	x
CONNECTION/DIMENSIONS			
Tot. inst. power	1500 W	3400 W	3400 W
230V single-phase + Earth	16 A	16 A	16 A
Overall dimensions H x W x D (cm)	45,5 x 59,5 x 47,2	45,5 x 59,5 x 47,2	45,5 x 59,5 x 47,2
Cut-out dim. H x W x D (cm)	45,2 x 56,8 x 55	45,2 x 56,8 x 55	45,2 x 56,8 x 55
Packaged dim. H x W x D (cm)	53,5 x 68 x 66	53,5 x 68 x 66	53,5 x 68 x 66
Packaged/unpackaged weight (kg)	32 / 35	32 / 35	35 / 38
EAN Codes	801 636 182 6618	801 636 182 3471	801 636 183 6969

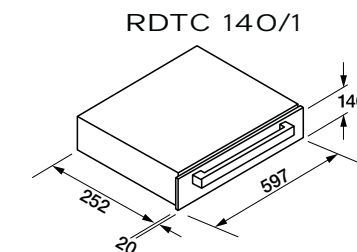
RMG 28 DF



RMG 20 DF



Product numbers	RMG 28 DF	RMG 20 DF
Models	Microwave+grill	Microwave+grill
Colours	IN / PN	IN / PN / RB
Front face	Glass/Metal	Glass/Metal
Capacity	28	20
Int. dimensions H x W x D (cm)	22,8 x 33 x 36,9	21,8 x 29,5 x 31,6
Int. lining	Stainless steel	Stainless steel
Timer	x	x
POWER/CONSUMPTION		
Microwave output power	900 W	800 W
Grill power	1100 W	1000 W
FUNCTIONS		
Microwave	x	x
Grill	x	x
Microwave+grill	x	x
Defrost+cook	x	x
GENERAL SPECIFICATIONS		
Rotating plate	31,5 cm	24,5 cm
Controls	electronic	electronic
Pre-programmed functions	4	4
Programs	8	8
Lighting	x	x
CONNECTION/DIMENSIONS		
Tot. inst. power	2300 W	2300 W
230V single-phase + Earth	16 A	16 A
Overall dimensions H x W x D (cm)	38,8 x 59,5 x 38,9	38,8 x 59,5 x 32
Cut-out dim. H x W x D (cm)	38 x 56 x 38,5	38 x 56 x 32
Packaged dim. H x W x D (cm)	49 x 65,5 x 50	45 x 65,5 x 50
Packaged/unpackaged weight	18 / 21	14 / 16
EAN Codes	IN 801 636 182 3426 PN 801 636 183 6976	IN 801 636 182 3402 PN 801 636 182 3419 RB 801 636 182 3433
Installation kit	standard	standard



801 636 182 8452

Induction hobs



THE ADVANTAGES OF INDUCTION

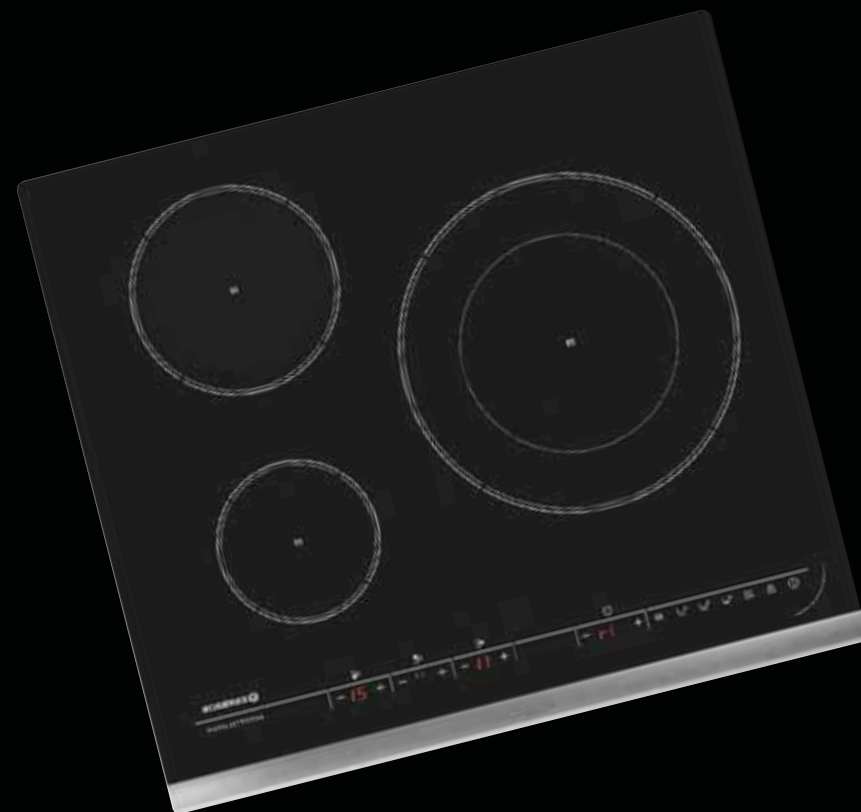
Efficiency and safety: With induction, heat is created by a magnetic field exclusively on the area in contact with the pan. Therefore, the other areas of the hob do not get hot, which is safer for you!

Easy upkeep: The hob's surface temperature is always contained. Thus, any food or liquid spills do not burn and can be easily cleaned away with a damp cloth.

Energy efficiency: The only energy used is that required to heat the pot, which optimises energy consumption.

CAREFULLY DESIGNED STYLE

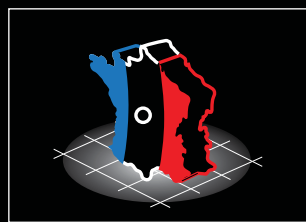
- Bevelled edges for a clean, contemporary look.
- Attractive anti-scratch stainless steel front trim.



4200 W/4600 W/5000 W ULTRA-POWERFUL BOOSTERS

The booster function lets the zones heat up quickly. Ideal for boiling liquids or searing meats, it supercharges the cooking zone used at 4,200, 4,600, and up to 5,000W, thereby allowing the maximum temperature to be reached in 4 minutes.

Induction hobs



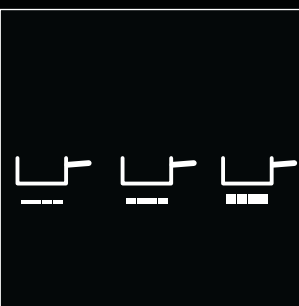
Made in
Rosières

MADE IN ROSIÈRES

Almost all Rosières induction hobs are made in Rosières, France.

PROGRAMMABLE MEMORY

This function lets you record up to 10 power setting changes over a course of 1.5 hours for the same dish. The dedicated button lets you run your programs as many times as you like.



QUICK LIGHT X 3

Once activated, a single touch of a button lets you instantly reach the highest, middle, or lowest heat level. An instant convenience when slow-cooking or searing meats.

KEEP WARM FUNCTION

With more than 15 power settings, Rosières induction hobs also possess a Keep Warm function. This function allows you to keep your dishes warm at a temperature ranging from 50-60 °C for 2 hours.



10 SAFETY LEVELS

Optimal safety: pan detection, small utensil detection, command locks, overheating protection, overflow protection, emergency off button, timers, ventilation fan, temperature sensor, and residual heat indicators.



GINGER FISH FILETS

Serves 4:

100 g fresh ginger
2 onions
6 courgettes
8 tomatoes

25 cl coconut milk
6 fish filets
Olive oil
Chives

Grate the ginger and finely chop the onions.
Brown the ginger and onions over low heat in a pan with the olive oil.
Cube the courgettes and add them to the pan. Cook on high for 10 minutes.
Wash and trim the tomatoes, add them to the courgettes, and simmer for 3 minutes. Then add the coconut milk to the mixture.
Place the fish filets on top of the mixture, cover, and simmer for 7 minutes (monitor closely so that the fish does not overcook).
Add the chives, and serve with basmati rice.

E-space induction hobs



ROSIÈRES E-SPACE, THE FLEXIBLE ZONE THAT ADAPTS TO ALL OF MY NEEDS

- one single pan
- several small ones
- or my large pots (large casseroles, fish kettles, grill pans, etc.).



ROSIÈRES INNOVATION

SQUARE INDUCTORS FOR
MAXIMUM COVERAGE OF THE
COOKING ZONE

E-SPACE 4000W FLEX ZONE

A large, versatile cooking space of 40 x 21 cm, around 840 cm² of total flexible surface area.

Enjoy its maxi-zone with an exceptional power of 4,000W to perfectly sear meat.

The versatile E-Space zone offers multiple culinary combinations to adapt to your needs: everyday simplicity, creative cooking, or master cuisine.



EVERYDAY SIMPLICITY:

The E-Space induction hob is used in the traditional manner, with 3 or 4 cooking zones depending on the model.



CREATIVE COOKING:

Host your dinner guests in an elegant and innovative manner: place your small dishes in large ones. The E-Space maxi-zone lets you simultaneously cook a succulent marinated chicken accompanied by its 3 sauces. Meat and sauces can thus simmer at their own appropriate power setting.



MASTER CUISINE:

When entertaining, use the 40 x 21 cm E-Space maxi-zone to cook with large pots and let your desires run free. Make your famous salmon in tarragon sauce in your fish kettle, or even a savoury sauté of veal à l'orange with your large casserole. (The minimum casserole detection size on the maxi-zone is 22 cm)

RPI 744



RPI 744

75 cm induction, e-space + 2 zones, slider

- E-Space 40 x 21 cm flexible zone with individual or group control, 4000W booster
- 2 additional 21 cm and 18 cm zones
- Premium slider-touch controls
- 4 boosters
- 4 99 minute timers
- 9 cooking levels
- Total hob power: 7400 W
- 10 safety levels
- Ceramic glass top

Product no	Colour
RPI 744	Black Pearl

Cut-out (mm): W 490 x D 740



flexible zone

power

width in cm

made in Rosières

COLLECTION
PRIVILEGE

RESD4



RESD4

Fl exible induction, e-space double zones

- Slim/touch controls
- 2 40 x 21 cm flexible zones with individual or group control, 4000W booster
- Bevelled black glass
- Quick Light x 3 (LOW/MED/HIGH) per zone
- 4 boosters
- 4 99 minute timers
- Programmable memory function
- Child safety function
- Keep Warm function
- 15 cooking levels per digital display
- Total hob power: 7200 W
- 10 safety levels
- Ceramic glass top

Product no	Colour
RESD4	Black Pearl

Cut-out (mm): W 490 x D 560



flexible zone

power

made in Rosières

COLLECTION
PRIVILEGE

RES 432



RES 432

Fl exible induction, e-space + 2 zones

- Slim/touch controls
- 1 40 x 21 cm flexible zone with individual or group control, 4000W booster
- 2 20 cm zones
- Bevelled black glass
- Quick Light x 3 (LOW/MED/HIGH) per zone
- 4 boosters
- 4 99 minute timers
- Programmable memory function
- Child safety function
- Keep Warm function
- 15 cooking levels per digital display
- Total hob power: 7200 W
- 10 safety levels
- Ceramic glass top

Product no	Colour
RES 432	Black Pearl

Cut-out (mm): W 490 x D 560



flexible zone

power

made in Rosières

COLLECTION
PRIVILEGE

RES 44



RES 44

Fl exible induction, e-space + 1 XL zone

- Slim/touch controls
- 40 x 21 cm flexible zone with individual or group control, 4000W booster
- 1 XL 28 cm zone with 4000W booster
- Bevelled black glass
- Quick Light x 3 (LOW/MED/HIGH) per zone
- 3 boosters
- 3 99 minute timers
- Programmable memory function
- Child safety function
- Keep Warm function
- 15 cooking levels per digital display
- Total hob power: 7200 W
- 10 safety levels
- Ceramic glass top

Product no	Colour
RES 44	Black Pearl

Cut-out (mm): W 490 x D 560



flexible zone

power

made in Rosières

COLLECTION
PRIVILEGE

RBI 635 GE



Cut-out (mm): W 490 x D 560

RBI 635 GE

Black, induction, 3 zones, 5 kW booster

- Slim/touch controls
- Max Booster 5000 W
- Bevelled black glass
- Quick Light x 3 (LOW/MED/HIGH) per zone
- 3 boosters
- 3 99 minute timers
- Programmable memory function
- Child safety function
- 15 cooking levels per digital display
- Total hob power: 7300 W
- 10 safety levels
- Ceramic glass top

Product no	Colour
RBI 635 GE	Black Pearl



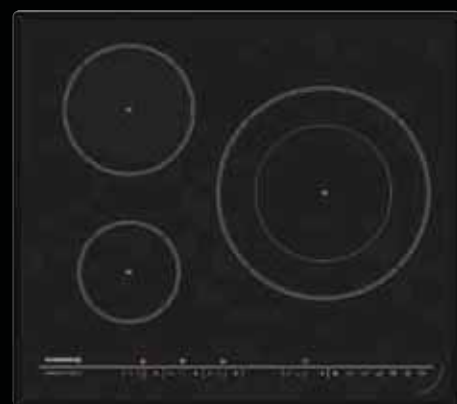
power



made in Rosières

COLLECTION
PRIVILEGE

RPI 346



Cut-out (mm): W 490 x D 560

RPI 346

Black, induction, 3 zones

- Slim/touch controls
- Max Booster 4600 W
- Bevelled black glass
- Quick Light x 3 (LOW/MED/HIGH) per zone
- 3 boosters
- 3 99 minute timers
- Programmable memory function
- Child safety function
- Keep Warm function
- 15 cooking levels per digital display
- Total hob power: 7200 W
- 10 safety levels
- Ceramic glass top

Product no	Colour
RPI 346	Black Pearl

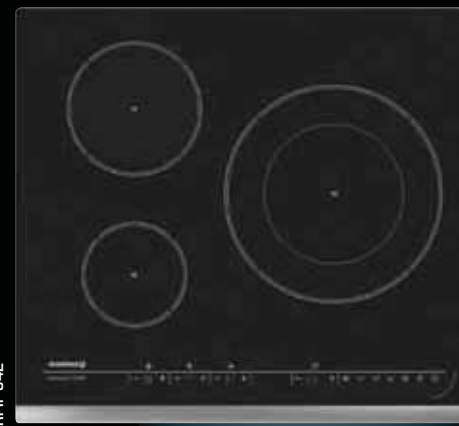


power



made in Rosières

RPIF 342



Cut-out (mm): W 490 x D 560

RPIF 342

Induction, black, 3 zones, stainless steel front trim

- Slim/touch controls
- Max Booster 4200 W
- Stainless steel front trim
- Quick Light x 3 (LOW/MED/HIGH) per zone
- 3 boosters
- 3 99 minute timers
- Programmable memory function
- Child safety function
- Keep Warm function
- 15 cooking levels via digital display
- Total hob power: 7200 W
- 10 safety levels
- Ceramic glass top

Product no	Colour
RPIF 342	Black Pearl

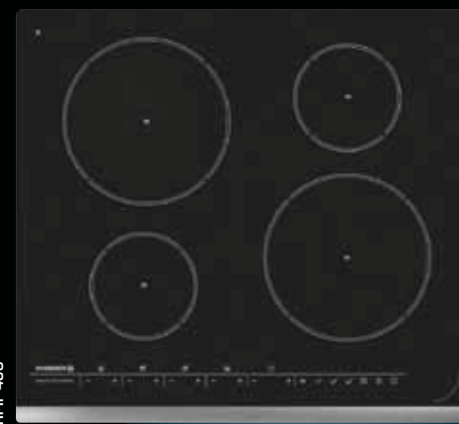


power



made in Rosières

RPIF 430



Cut-out (mm): W 490 x D 560

RPIF 430

Induction, black, 4 zones, stainless steel front trim

- Slim/touch controls
- Max Booster 3000 W
- Stainless steel front trim
- Quick Light x 3 (LOW/MED/HIGH) per zone
- 4 boosters
- 4 99 minute timers
- Programmable memory function
- Child safety function
- Keep Warm function
- 15 cooking levels via digital display
- Total hob power: 7000 W
- 10 safety levels
- Ceramic glass top

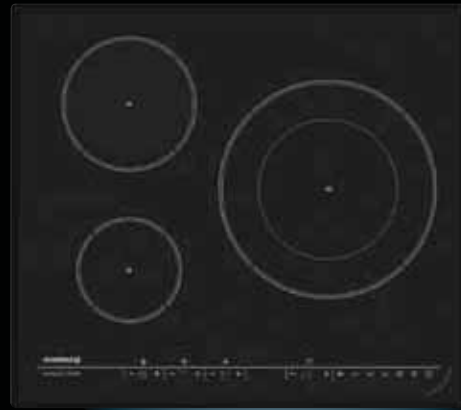
Product no	Colour
RPIF 430	Black Pearl



power



made in Rosières



RPI 342

RPI 342 / RPI 342 MM

Black, induction, 3 zones

- Slim/touch controls
- Max Booster 4200 W
- Bevelled black glass
- Quick Light x 3 (LOW/MED/HIGH) per zone
- 3 boosters
- 3 99 minute timers
- Programmable memory function
- Child safety function
- Keep Warm function
- 15 cooking levels via digital display
- Total hob power: 7200 W
- 10 safety levels
- Ceramic glass top

Product no	Colour
RPI 342	Black Pearl
RPI 342 MM	Metal Mirror

Cut-out (mm): W 490 x D 560



RPIC 37

RPIC 37

Black, induction, 3 zones

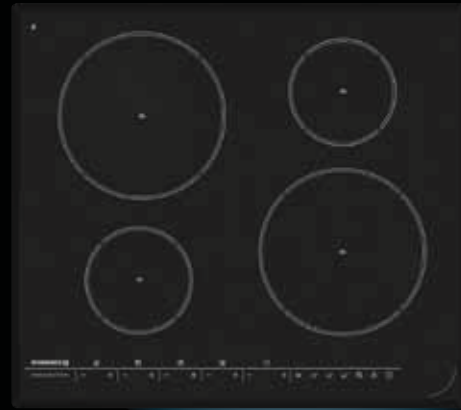
- Slim/touch controls
- Max Booster 3700 W
- Black glass with front edge bevel
- 3 boosters
- 3 99 minute timers
- Child safety function
- 9 cooking levels per digital display
- Total hob power: 7200 W
- 10 safety levels
- Ceramic glass top

Product no	Colour
RPIC 37	Black Pearl

Cut-out (mm): W 490 x D 560



RPI 430



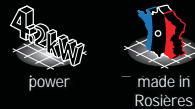
RPI 430 / RPI 430 MM

Black, induction, 4 zones

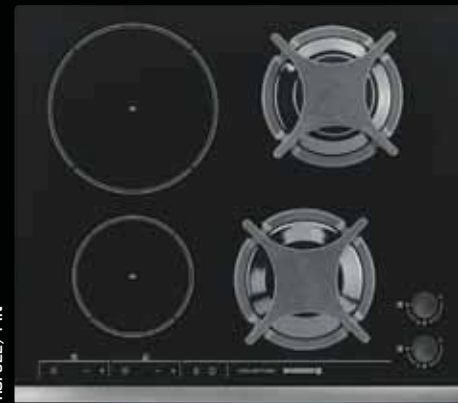
- Slim/touch controls
- Max Booster 3000 W
- Bevelled black glass
- Quick Light x 3 (LOW/MED/HIGH) per zone
- 4 boosters
- 4 99 minute timers
- Programmable memory function
- Child safety function
- Keep Warm function
- 15 cooking levels via digital display
- Total hob power: 7000 W
- 10 safety levels
- Ceramic glass top

Product no	Colour
RPI 430	Black Pearl
RPI 430 MM	Metal Mirror

Cut-out (mm): W 490 x D 560



RGI 622/1 IN



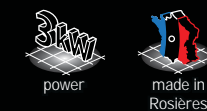
RGI 622/1

Combination induction/gas hob, 2 induction zones, 2 gas burners

- Touch controls/knobs
- Stainless steel front trim
- 2 boosters
- 2 99 minute timers
- 2 independent induction zones, max booster 3000W
- 2 gas burners
- 9 cooking levels per digital display
- 12 cooking levels via knobs
- Built-in electric ignition
- Flame failure device
- Individual cast iron pan stands
- Total hob power: 8450 W
- 10 safety levels
- Ceramic glass top

Product no	Colour
RGI 622/1 IN	Stainless steel

Cut-out (mm): W 490 x D 560



Glass ceramic hobs

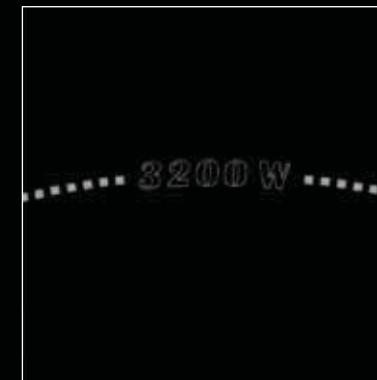
FLEXIBILITY

For more flexibility, Rosières is offering specific cooking zones for optimal culinary results.

- The extendable burner gives you the flexibility to use small or large size pots as needed.



- The versatile fish kettle burner is ideal for cooking in oval casseroles as well as for recipes that call for long periods of simmering.



3200 W BURNER

The Highlight burner is the most powerful on the market!

It can heat up extremely quickly and is ideal for all types of long-duration cooking.

COUP DE FEU HOBS

These hobs offer maximum heating power (efficiency improved by up to 15%) and reduce the time spent cooking on high.

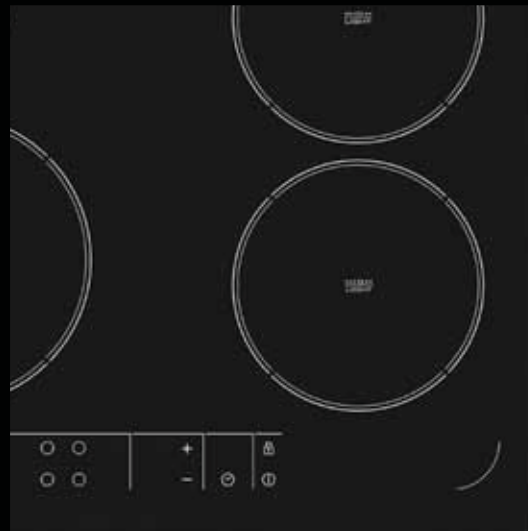


Glass ceramic hobs

CAREFULLY-CRAFTED DESIGN

Rosières ceramic glass hobs offer two elegant and carefully crafted finishes to satisfy any need. The attractive stainless steel front trim is elegantly reminiscent of stainless steel of kitchen appliances.

Functional, it is resistant to scratching and offers shock protection.



With its bevelled edges, you'll be favouring a clean style. This look blends perfectly into kitchens with an ultra-flat design.

6 SAFETY LEVELS

Total safety thanks to 6 safety levels:

- control locks: this function prevents the hob from accidentally being turned on, for total safety if children are present or during cleaning.
- overheating protection: a sensor constantly monitors the different components of the hob. If it does overheat, the temperature will decrease automatically.
- residual heat indicators: each burner is equipped with a residual heat light that indicates that the cooking zones are still hot.
- overflow protection, emergency off button, and timers.



Spice-encrusted turbot filet
Exclusive Lenôtre recipe for Rosières, prepared in the rFa77Fin Prodiges Oven

Serves 4. Prep time: 35 min
Cooking time: 12-14 minutes

Turbot ingredients: 4 pieces of Turbot, 140 g each, pink peppercorns, seasoning

Spice crust ingredients: 55 g flat parsley leaves, 10 g chervil, 40 g white bread, 40 g butter, a pinch Espelette pepper, a pinch of curry, 1 g turmeric, a pinch of Sichuan pepper, salt, pepper

Sauce ingredients: 120 g tomato (1), 80 g button mushrooms (4), 40 g shallots, 50 g white wine, 100 g fish stock, 1 g garlic, 1/2 bay leaves, 1 sprig of fresh thyme, salt, pepper, Espelette pepper, 100 g whipping cream, 1 orange, 50 g butter, fresh coriander, lemon juice

Add the garlic, bay leaf, and thyme followed by the white wine and stock. Place the turbot filets into the dish and cook in your Prodiges oven at 190 °C using the Turbogrill function for approximately 12 minutes. Remove the fish from the dish and set aside. Add the cream and sectioned orange slices. Cook the sauce for 10 minutes at 190 °C in the oven. Reheat the fish and finish the sauce by mounting it with butter. Sprinkle with chopped coriander and lemon.

To prepare the spice crust: Combine all crust ingredients and blend until you have obtained a smooth paste.

To prepare the turbot: 1) Gently spread the spice crust on each portion of seasoned turbot. 2) Sprinkle with several crushed pink peppercorns and set aside.

To prepare the sauce: Butter the bottom of a baking dish. Finely chop the shallots, then trim and deseed the tomato. Clean and mince the mushrooms. Place the vegetables on the bottom of the dish and season.

ÉCOLE
LENÔTRE
PARIS



RVEF 74 IN

Cut-out (mm): W 490 x D 740

RVEF 74

Touch-control ceramic glass hob, 4.5 high light zones, 75 cm

- Coup de feu ceramic glass hob
- Stainless steel front trim
- Touch controls
- 9 cooking settings via digital display
- **1 3200 W burner**
- 1 24 cm extendible fish kettle burner
- 1 circuit-breaker timer that can be activated on 4 burners
- Total hob power: 8600 W
- **6 safety levels**

Product no	Colour
RVEF 74 IN	Stainless steel



75 cm

made in Rosières

RVE 632



Cut-out (mm): W 490 x D 560

RVE 632

Touch-control ceramic glass hob, 3.5 high light zones

- Coup de feu ceramic glass hob
- Bevelled side edges
- Touch controls
- 9 cooking settings via digital display
- 1 27.5 cm extendible fish kettle burner
- **1 3200 W burner**
- 1 circuit-breaker timer that can be activated on 4 burners
- Total hob power: 6800 W
- **6 safety levels**

Product no	Colour
RVE 632	Black



made in Rosières

RVEF 633 IN



Cut-out (mm): W 490 x D 560

RVEF 633

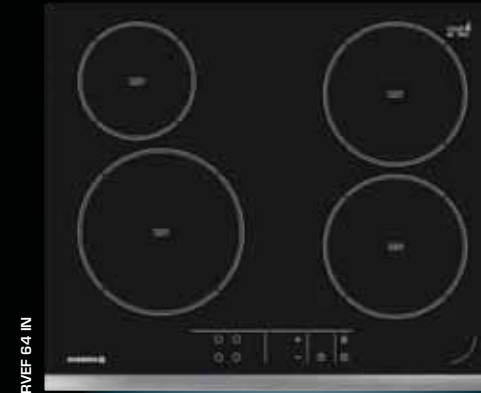
Touch-control ceramic glass hob, 3.5 high light zones, stainless trim

- Coup de feu ceramic glass hob
- Stainless steel front trim
- Touch controls
- 9 cooking settings via digital display
- **1 2700 W triple burner, extends up to 29 cm**
- 1 circuit-breaker timer that can be activated on 3 burners
- Total hob power: 5700 W
- **6 safety levels**

Product no	Colour
RVEF 633 IN	Stainless steel



made in Rosières



RVEF 64 IN

Cut-out (mm): W 490 x D 560

RVEF 64

Touch-control ceramic glass hob, 4 high light zones, stainless trim

- Coup de feu ceramic glass hob
- Stainless steel front trim
- Touch controls
- 9 cooking settings via digital display
- **4 highlight burners, including 1 2300 W**
- 1 circuit-breaker timer that can be activated on 4 burners
- Total hob power: 7100 W
- **6 safety levels**

Product no	Colour
RVEF 64 IN	Stainless steel



made in Rosières



RVM 64



Cut-out (mm): W 490 x D 560

RVM 64

Knob-control led ceramic glass hob, 4 high light zones

- Coup de feu ceramic glass hob
- Bevelled side edges
- 4 highlight burners, including 1 2500 W
- Total hob power: 7300 W
- 4 residual heat indicators

Product no	Colour
RVM 64	Black



made in Rosières



CAST IRON HOBS: A UNIQUE DESIGN

Rosières has reinvented the norm for gas hobs to bring you a unique look and ultramodern style. Made from a single piece of cast iron, this hob offers pure and stylish curves that will appeal to the most modern kitchens. Discover a subtle equilibrium between raw materials, elegant lines, and modern LEDs. Fused into the hob, these pan stands bring the shapes of the product together. Stylish LED lights also provide safety: they activate when the burners are switched on.

CAST IRON HOBS: A NEW BURNER TECHNOLOGY

These stylish cast iron hobs offer high performance cooking through an exclusive new burner technology that is the fruit of collaborative efforts. This technology uses a small amount of space between the burner and the flame, thereby permitting an exceptionally slim thickness of 28 mm, which is less than half of a traditional burner. It also ensures 20% better cooking efficiency compared to a standard burner.



STYLISH FUSED PAN STANDS

Rosières has raised cast iron to the next level and is offering a brand new design with these hobs, thanks to solid pan stands that truly show off the material with which they are made. These fused hobs stand out and affirm their identity through prominent, luxurious, and carefully designed lines.



QUADRUPLE RING BURNER

With 4000 W of power, this hob is equally ideal for gentle simmering, thanks to its perfect heat distribution under the pan, or for searing, thanks to its incomparable power.



Gas hobs

BUILT-IN ELECTRIC IGNITION

All Rosières gas hobs are equipped with built-in electronic ignition. A simple touch of the controls lets you ignite your gas burner with ease.



FENAMELLED CAST IRON

Thanks to its enamelled coating, Rosières cast iron offers excellent heat output and guarantees easy cleaning.



FLAME FAILURE DEVICE

This safety device protects against accidental gas leaks if the flame is suddenly switched off; it functions completely independently and requires no electricity or upkeep.



HIGH-END FINISHES

Rosières gas hobs are inspired by the professional setting, with carefully designed finishes.

The control knobs are surrounded by rings. Stylish, they also help with upkeep and prevent food or splatters from getting underneath.

Furthermore, the space between burners is maximised to allow for large pots to be moved around easily.



Carrot velouté with Saint Moret cheese

Serves 6

Prep time: 15 minutes

Cooking time: 30 minutes

Difficulty: easy

3 shallots

600 g carrots

20 g butter

150 g Saint Moret cheese

1 tablespoon thick crème fraîche

1 tablespoon caraway

Equipment

Hand blender

Peel the carrots and cut them into rounds.

Melt the butter in a pan, add the finely chopped shallots and cook for 3 minutes.

Add the carrots, a 1/2 litre of water, the caraway, salt, and pepper.

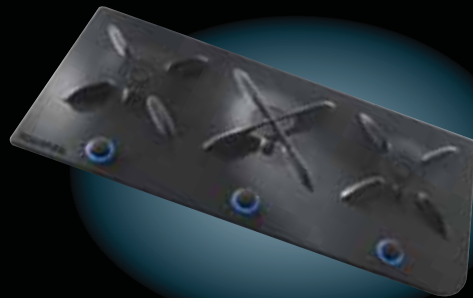
Close the pan 3/4 of the way and cook for 30 minutes over medium heat.

Using the hand mixer, blend until you have obtained a thick velouté.

Add half of the Saint Moret and the crème fraîche, then blend again.

Serve the velouté hot in bowls. Sprinkle with the rest of the Saint Moret, a turn of freshly ground pepper, and enjoy.

RF9



Special cut-out (mm): W 380 x D 850,
height of chassis 90 mm

RF9

Cast iron hob, 3 burners, 90 cm

- Exclusive: flat iron hob
- 11 mm slim thickness
- Knobs with LED lights
- 3 gas burners, including 1 3000 W
- **A Rosières exclusive: new slim-burner technology, with 20% more efficiency**
- Total hob power: 6700 W
- Easy upkeep: enamelled cast iron and fused pan stands
- 1 removable spider pan stand for small pots
- Built-in electric ignition
- Flame failure device

Product no	Colour
RF9 (Mains gas)	Cast iron
RF9 LPG (Bottle gas)	Cast iron



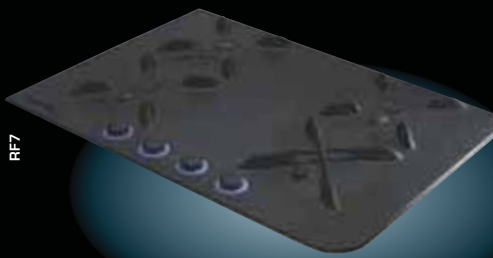
LED lighting



Slim burner

COLLECTION
PRIVILÈGE

RF7



Standard cut-out (mm): W 480 x D 560,
height of chassis 90 mm

RF7

Cast iron hob, 4 burners, 75 cm

- Exclusive: flat iron hob
- 11 mm slim thickness
- Knobs with LED lights
- 4 gas burners, including 1 3000 W
- **A Rosières exclusive: new slim-burner technology, with 20% more efficiency**
- Total hob power: 9100 W
- Easy upkeep: enamelled cast iron and fused pan stands
- 1 removable spider pan stand for small pots
- Built-in electric ignition
- **(MAINS GAS) only**
- Flame failure device

Product no	Colour
RF7 (Mains gas)	Cast iron



LED lighting



Slim burner

COLLECTION
PRIVILÈGE

RGV 75 SQF PN



Cut-out (mm): W 480 x D 560
External width: 750 mm

RGV 75 SQF

Cast iron hob, 4 burners, 75 cm

- Tempered glass top
- 5 gas burners, including 1 ultrafast 3500 W burner
- Total hob power: 12000 W
- Removable cast iron pan supports
- Built-in electric ignition
- Flame failure device
- Standard cut-out

Product no	Colour
RGV 75 SQF PN	Black Pearl
RGV 75 SQF IN	Mirror



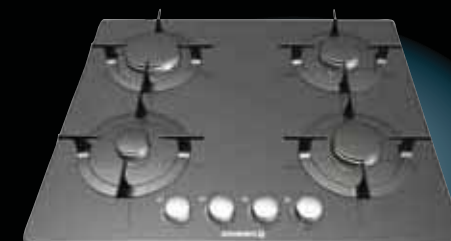
LED lighting



Slim burner

hobs

RGV 64 SF PN



Cut-out (mm): W 480 x D 560

RGV 64 SF

Glass hob, 4 gas burners

- Tempered glass top
- 4 gas burners, including 1 ultrafast 3500 W burner
- Total hob power: 8750 W
- Removable cast iron pan supports
- Built-in electric ignition
- Flame failure device

Product no	Colour
RGV 64 SF PN	Black Pearl
RGV 64 SF RB	White Rose

cast iron
pan stand

RTG 75 SQD IN



Cut-out (mm): W 480 x D 560

RTG 75 SQD

75 cm fused hob plate
5 gas burners, quadruple ring burner

- 5 gas burners, including 1 4000 W quadruple ring burner
- Total hob power: 11750 W
- Flame failure device
- Built-in electric ignition
- High-low control gas valves
- Fused iron look
- 6 removable designer pieces in enamelled cast iron

Product no	Colour
RTG 75 SQD IN	Stainless steel



75 cm



quadruple ring burner



solid fused iron pan stand



made in Rosières

COLLECTION PRIVILÈGE

RTG 75 SQF IN



Cut-out (mm): W 480 x D 560

RTG 75 SQF

75 cm sketch-design hob
5 gas burners, quadruple ring burner

- 5 gas burners, including 1 4000 W quadruple ring burner
- Total hob power: 11750 W
- Flame failure device
- Built-in electric ignition
- High-low control gas valves
- 6 removable pan stands in enamelled cast iron

Product no	Colour
RTG 75 SQF IN	Stainless steel
RTG 75 SQF PN	Black Pearl
RTG 75 SQF RB	White Rose



75 cm



quadruple ring burner

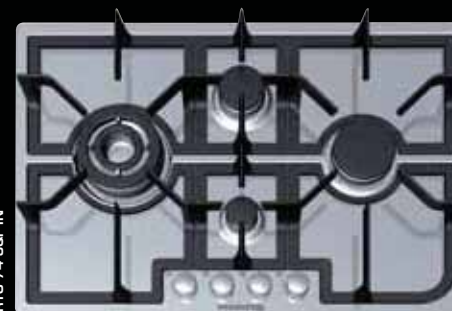


cast iron pan stand



made in Rosières

RTG 74 SQF IN



Cut-out (mm): W 480 x D 560

RTG 74 SQF

75 cm sketch-design hob
4 gas burners, quadruple burner crown

- 4 gas burners, including 1 4000 W quadruple ring burner
- Total hob power: 9250 W
- Flame failure device
- Built-in electric ignition
- High-low control gas valves
- 6 removable pan stands in enamelled cast iron

Product no	Colour
RTG 74 SQF IN	Stainless steel



75 cm



quadruple ring burner



cast iron pan stand



made in Rosières

COLLECTION PRIVILÈGE

RTF 765 SF



Cut-out (mm): W 480 x D 560

RTF 765 SF

75 cm hob, 5 gas burners, wok burner

- 75 cm hob with standard cut-out
- 5 gas burners, including 1 3800W triple ring burner
- Total hob power: 11,300W
- Flame failure device
- Built-in electric ignition
- Wok accessory
- Removable cast iron pan stands

Product no	Colour
RTF 765 SF IN	Stainless steel



75 cm



cast iron pan stand



made in Rosières

RTG 64 SQD IN



RTG 64 SQD
60 cm fused hob plate
4 gas burners, quadruple ring burner

- 4 gas burners, including 1 4000 W quadruple ring burner
- Total hob power: 9250 W
- Flame failure device
- Built-in electric ignition
- High-low control gas valves
- Fused iron look
- 4 removable designer pieces in enamelled cast iron

Product no	Colour
RTG 64 SQD IN	Stainless steel

Cut-out (mm): W 480 x D 560



quadruple ring burner



solid fused iron pan stand



made in Rosières

COLLECTION PRIVILEGE



RTG 64 SQF IN



RTG 64 SQF
60 cm fused hob plate
4 gas burners, quadruple ring burner

- 4 gas burners, including 1 4000 W quadruple ring burner
- Total hob power: 9250 W
- Flame failure device
- Built-in electric ignition
- High-low control gas valves
- 4 removable pan stands in enamelled cast iron

Product no	Colour
RTG 64 SQF IN	Stainless steel

Cut-out (mm): W 480 x D 560



quadruple ring burner



cast iron pan stand



made in Rosières

hobs

RTG 64 SF IN



RTG 64 SF
60 cm sketch-design hob, 4 gas burners

- 4 gas burners, including 1 2500 W quick-heat burner
- Total hob power: 7000 W
- Flame failure device
- Built-in electric ignition
- High-low control gas valves
- 4 removable pan stands in enamelled cast iron

Product no	Colour
RTG 64 SF IN	Stainless steel
RTG 64 SF PN	Black Pearl
RTG 64 SF RB	White Rose

Cut-out (mm): W 480 x D 560



cast iron pan stand



made in Rosières

RTL 640 SF IN



Cut-out (mm): W 480 x D 560

RTL 640 SF

Gas hob, 5 burners, side knobs, cast iron pan stands

- Flame failure device
- 4 gas burners, including 1x 2750 W quick-heat burner
- Total hob power: 7200 W
- Built-in electric ignition
- High-low control gas valves
- Removable enamelled cast iron pan stands
- Enamelled cast iron burner caps

Product no	Colour
RTL 640 SF IN	Stainless steel



cast iron pan stand



made in Rosières

RTL 640 SE IN



Cut-out (mm): W 480 x D 560

RTL 640 SE

Gas hob, 4 burners, side knobs

- Flame failure device
- 4 gas burners, including 1 2750 W quick-heat burner
- Total hob power: 7200 W
- Built-in electric ignition
- High-low control gas valves
- Removable enamelled steel pan stands

Product no	Colour
RTL 640 SE IN	Stainless steel
RTL 640 SE PN	Black Pearl
RTL 640 SE FA	Autumn leaf
RTL 640 SE RB	White Rose



made in Rosières

RTL 631 SE IN



Cut-out (mm): W 480 x D 560

RTL 631 SE

3 + 1 combination hob, side knobs

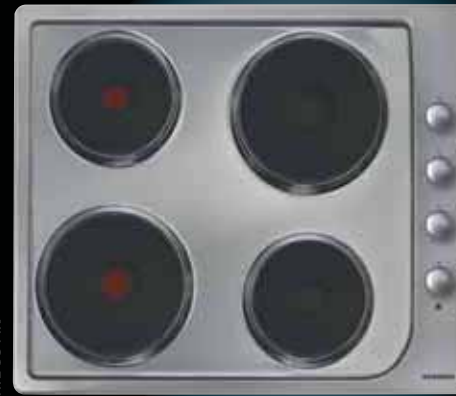
- Flame failure device
- 3 gas burners, including 1 2700 W quick-heat burner
- 1 1500 W electric plate
- Total hob power: 6900 W
- Built-in electric ignition
- High-low control gas valves
- 1 power indicator light for electric plate
- Removable enamelled steel pan stands

Product no	Colour
RTL 631 SE IN	Stainless steel
RTL 631 SE FA	Autumn leaf
RTL 631 SE RB	White Rose



made in Rosières

RTL 604 IN



Cut-out (mm): W 490 x D 560

RTL 604

Electric hob, 4 plates, side knobs

- Large surface: 20% more space
- 4 electric plates, including 2 1500 W and 2000 W quick-heat plates with auto protection
- 4 power indicator lights
- Rounded-corner enamelled steel top

Product no	Colour
RTL 604 IN	Stainless steel
RTL 604 FA	Autumn leaf
RTL 604 RB	White Rose



made in Rosières

RTT 640 SAVF



Cut-out (mm): W 480 x D 560

RTT 640

Tradis gas hob, 4 burners, side knobs

- Matches rustic-style line perfectly
- Flame failure device
- 4 gas burners, including 1 2750 W quick-heat burner
- Total hob power: 7200 W
- Built-in electric ignition
- High-low control gas valves
- Removable enamelled cast iron pan stands
- Enamelled cast iron burner caps
- Aged brass knobs

Product no	Colour
RTT 640 SAVF	Anthracite
RTT 640 SVVF	English Green
RTT 640 SBAVF	Antique White
RTT 640 SFAVF	Autumn Leaf



cast iron pan stand



made in Rosières

Aged brass finish



Anthracite English Green Antique White Autumn Leaf

RTT 631 SAVF



Cut-out (mm): W 480 x D 560

RTT 631

Tradis 3 + 1 combination hob, side knobs

- Matches rustic-style line perfectly
- Flame failure device
- 3 gas burners, including 1 2700 W quick-heat burner
- 1 1500 W electric plate
- Total hob power: 6900 W
- Removable enamelled cast iron pan stands
- Aged brass knobs

Product no	Colour
RTT 631 SAVF	Anthracite
RTT 631 SBAVF	Antique White
RTT 631 SFAVF	Autumn Leaf

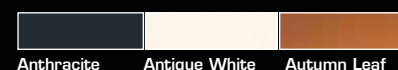


cast iron pan stand



made in Rosières

Aged brass finish



Anthracite Antique White Autumn Leaf



CHOCOLATE MOUSSE WITH MERINGUES

Serves 6

For the meringues:
2 egg whites, whisked
120 g icing sugar

For the mousse:
200 g chocolate
6 eggs
1 spoonful rum
Pinch of salt

Whisk the eggs while adding the sugar a little at a time until stiff.

Preheat the oven to 130°C (gas mark 4).

Fill a piping bag with the whisked whites and pipe into dots 3 cm round and 2 cm high on a baking sheet covered with a sheet of buttered parchment paper.

Bake for 50 minutes, then turn off the oven and let the meringues cool whilst inside.

Heat the chocolate over a double boiler.

Add the rum and egg yolks.

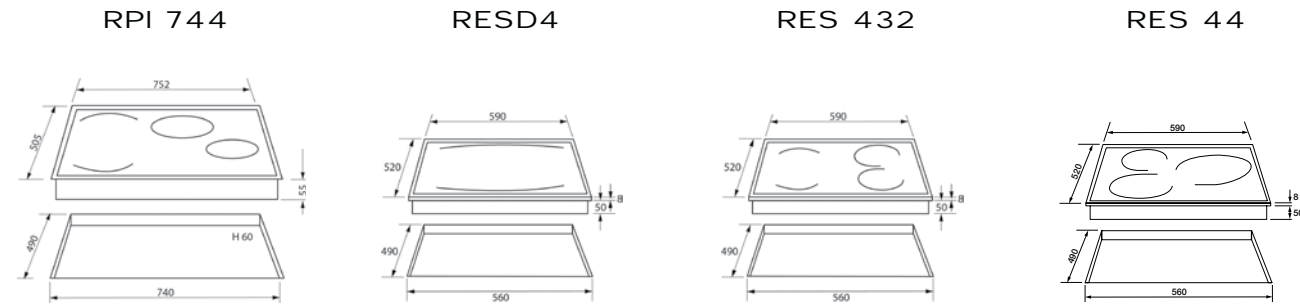
Add a pinch of salt to the egg whites and whisk until stiff.

Add the chocolate mixture to the whites and fold gently with a spatula.

Add the meringues to the mousse and mix gently.

Let rest in the refrigerator for at least 3 hours.

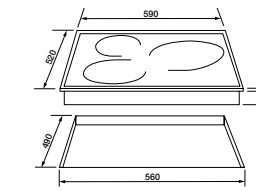
Induction hobs



Product numbers	RPI 744	RESD4	RES 432	RES 44
Models	Induction, 4 zones	Induction, 4 zones (2 E-Space zones)	Induction, 4 zones (E-Space + 2 zones)	Induction, 3 zones (E-Space + 1 zone)
Colours	PN	PN	PN	PN
SPECIFICATIONS				
Width	75 cm	60 cm	60 cm	60 cm
Top	ceramic glass	ceramic glass	ceramic glass	ceramic glass
Style	Bevelled	Bevelled	Bevelled	Bevelled
CONTROLS				
Type	Slider-touch	Slider-touch	Slider-touch	Slider-touch
Location	Front	Front	Front	Front
Number of cooking settings	9	15	15	15
Quick Light	-	3	3	3
No of boosters	4	4	4	3
Programmable memory function	-	x	x	x
Keep Warm Setting	-	-	-	-
POWER/BURNER DIAMETER				
Front left burner	Induction	Induction	Induction	Induction
Power (W) - Ø (mm)	2300 (booster 4000) 40 x 21 cm E-Space	3000 (booster 4000) 40 x 21 cm E-Space	3000 (booster 4000) 40 x 21 cm E-Space	3000 (booster 4000) 40 x 21 cm E-Space
Usable pan diameter	12 cm on 1 zone / 22 cm on maxi-zone	12 cm on 1 zone / 22 cm on maxi-zone	12 cm on 1 zone / 22 cm on maxi-zone	12 cm on 1 zone / 22 cm on maxi-zone
Rear left burner	Maxi-zone => See front left zone	Maxi-zone => See front left zone	Maxi-zone => See front left zone	Maxi-zone => See front left zone
Power (W) - Ø (mm)				
Usable pan diameter				
Front right burner	Induction	Induction	Induction	
Power (W) - Ø (mm)				
Usable pan diameter	12 - 18 cm	12 cm on 1 zone / 22 cm on maxi-zone	12 - 20 cm	
Rear right burner	Induction	Maxi-zone => See front right zone	Induction	Induction
Power (W) - Ø (mm)	2300 (booster 3700) - 210		2000 (booster 3000) - 200	3000 (booster 4000) - 300
Usable pan diameter	12 - 21 cm		12 - 20 cm	12 - 30 cm
Total installed power (elec.)	7400 W	7200 W	7200 W	7200 W
SAFETY				
Timers	4	4	4	3
One Touch Ignition	x	x	x	x
Control lock	x	x	x	x
Overflow protection	x	x	x	x
Overheating protection	x	x	x	x
Residual heat indicators	x	x	x	x
Temperature surveillance sensor	x	x	x	x
Ventilation fan	x	x	x	x
Pan detection	x	x	x	x
Small utensil detection	x	x	x	x
CONNECTION/DIMENSIONS				
Connection	230V single-phase + Earth - 25 A 230V three-phase + Earth - 32 A 400 V three-phase + Neutral + Earth - 20 A	230V single-phase + Earth - 25 A	230V single-phase + Earth - 25 A	230V single-phase + Earth - 25 A
Packaged/unpackaged weight (kg)	19/10	19/10	19/10	19/10
Packaged dim. H x W x D (mm)	125 x 760 x 560	130 x 680 x 580	130 x 680 x 580	130 x 680 x 580
Unpackaged dim. H x W x D (mm)	55 x 752 x 505	50 x 590 x 520	50 x 590 x 520	50 x 590 x 520
Cut-out dim. L x W (mm)	740 x 490	560 x 490	560 x 490	560 x 490
EAN Codes	PN 801 636 186 2500	PN 801 636 185 7544	PN 801 636 185 7551	PN 801 636 184 6876

Induction hobs

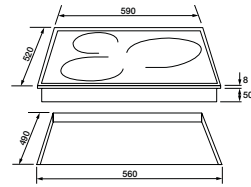
RBI 635 GE / RPI 346 / RPIF 342 / RPIF 430



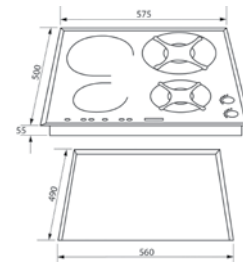
Product numbers	RBI 635 GE	RPI 346	RPIF 342	RPIF 430
Models	Induction, 3 zones	Induction, 3 zones	Induction, 3 zones	Induction, 4 zones
Colours	PN	PN	PN	PN
SPECIFICATIONS				
Width	60 cm	60 cm	60 cm	60 cm
Top	Ceramic glass	Ceramic glass	Ceramic glass	Ceramic glass
Style	Bevelled	Bevelled	Stainless steel front trim	Stainless steel front trim
SPECIFICATIONS				
Type	Slim-touch	Slim-touch	Slim-touch	Slim-touch
Location	Front	Front	Front	Front
Number of cooking settings	15	15	15	15
Quick Light	3	3	3	3
No of boosters	3	3	3	4
Programmable memory function	x	x	x	x
Keep Warm Function	-	X	X	X
POWER/BURNER DIAMETER				
Front left burner	Induction	Induction	Induction	Induction
Power (W) - Ø (mm)	2100 (booster 3000) - 180	1200 (booster 1500) - 140	1200 (booster 1500) - 140	1200 (booster 1500) - 140
Usable pan diameter	12 - 18 cm	9 - 15 cm	12 - 18 cm	12 - 18 cm
Rear left burner	Induction	Induction	Induction	Induction
Power (W) - Ø (mm)	1500 (booster 2000) - 140	2300 (booster 2600) - 180	2300 (booster 2600) - 180	2300 (booster 3000) - 220
Usable pan diameter	12 - 14 cm	12 - 18 cm	12 - 18 cm	12 - 22 cm
Power (W) - Ø (mm)				2300 (booster 3000) - 220
Rear right burner				12 - 22 cm
Power (W) - Ø (mm)				
Usable pan diameter				
Front right burner	Induction	Induction	Induction	Induction
Power (W) - Ø (mm)	3700 (booster 5000) - 300	3000 (booster 4600) - 280	3000 (booster 4200) - 280	1200 (booster 1500) - 140
Total installed power (elec.)	12 - 30 cm	12 - 28 cm	12 - 28 cm	9 - 15 cm
Puissance totale installée (élec)	7300 W	7200 W	7200 W	7000 W
SAFETY				
Timers	3	3	3	4
One Touch Ignition	x	x	x	x
Control lock	x	x	x	x
Overflow protection	x	x	x	x
Overheating protection	x	x	x	x
Residual heat indicators	x	x	x	x
Temperature surveillance sensor	x	x	x	x
Ventilation fan	x	x	x	x
Pan detection	x	x	x	x
Small utensil detection	x	x	x	x
CONNECTION/DIMENSIONS				
Connection	230V single phase + Earth - 25 A	230V single phase + Earth - 25 A	230V single phase + Earth - 25 A	Mono 230 V + T - 25 A
Packaged/unpackaged weight (kg)	19/10	11/12	11/12	11/12
Packaged dim. H x W x D (mm)	130 x 680 x 580	130 x 680 x 580	130 x 680 x 580	130 x 680 x 580
Unpackaged dim. H x W x D (mm)	50 x 590 x 520	50 x 590 x 520	50 x 590 x 520	50 x 590 x 520
Cut-out dim. W x D (mm)	560 x 490	560 x 490	560 x 490	560 x 490
EAN Codes	PN 801 636 182 0753	PN 801 636 184 4018	PN 801 636 184 4032	PN 801 636 184 3981

Induction hobs

RPI 342 / RPI 430 / RPIC37



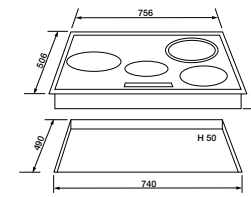
RGI 622/1



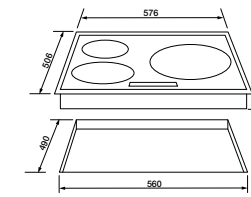
Product numbers	RPI 342	RPI 430	RPIC37	RGI 622/1
Models	Induction, 3 zones	Induction, 4 zones	Induction, 3 zones	Induction, 2 zones + gas, 2 zones
Colours	PN / MM	PN / MM	PN	IN
SPECIFICATIONS				
Width	60 cm	60 cm	60 cm	57 cm
Top	Ceramic glass	Ceramic glass	Ceramic glass	Ceramic glass
Trim	Bevelled	Bevelled	Front edge bevel	Stainless steel front
CONTROLS				
Type	Slim-touch	Slim-touch	Slim-touch	Touch + knobs
Location	Front	Front	Front	front/side
Number of cooking settings	15	15	9	9 induction / 12 gas
Quick Light	3	3	non	
Number of Boosters	3	4	3	2
Programmable memory function	x	x	non	
Keep Warm Setting	x	x		
POWER/BURNER DIAMETER				
Left front burner	Induction	Induction	Induction	Induction
Power (W) - Ø (mm)	1200 (booster 1500) - 140	1200 (booster 1500) - 140	1200 (booster 1500) - 140	1200 (booster 1400) - 160
Usable pan diameter	12 - 18 cm	12 - 18 cm	12 - 18 cm	12 - 18 cm
Left rear burner	Induction	Induction	Induction	Induction
Power (W) - Ø (mm)	2300 (booster 2600) - 180	2300 (booster 3000) - 220	2300 (booster 2600) - 180	2300 (booster 3000) - 200
Usable pan diameter	12 - 18 cm	12 - 22 cm	12 - 18 cm	12 - 20 cm
Right front burner		Induction		Semi-rapid gas
Power (W) - Ø (mm)				
Usable pan diameter		12 - 22 cm		
Right rear burner	Induction	Induction	Induction	Quick-heat gas
Power (W) - Ø (mm)	3000 (booster 4200) - 280	1200 (booster 1500) - 140	3000 (booster 3700) - 280	3000 - 101
Usable pan diameter	12 - 28 cm	9 - 15 cm	12 - 28 cm	
E-SPACE ZONE - 400 x 210 cm				
Power (W)				
Total installed power (elec.)	7200 W	7000 W	7200 W	8450 W
SAFETY				
Timers	x	x	3	2
One Touch Ignition	x	x	x	x
Control lock	x	x	x	
Overflow protection	x	x	x	x
Overheating protection	x	x	x	x
Residual heat indicators	x	x	x	x
Temperature surveillance sensor	x	x	x	
Ventilation fan	x	x	x	x
Pan detection	x	x	x	x
Small utensil detection	x	x	x	x
CONNECTION/DIMENSIONS				
Connection	230 V single-phase + Earth - 25 A	230 V single-phase + Earth - 25 A	230 V single-phase + Earth - 25 A	230 V single-phase + Earth - 25 A 30 V three-phase + Earth - 32 A 400 V three-phase + Neutral + Earth - 16 A
Packaged/unpackaged weight (kg)	11/12	17 / 14	19/10	9/10
Packaged dim. H x W x D (mm)	130 x 680 x 580	130 x 680 x 580	130 x 680 x 580	140 x 710 x 580
Unpackaged dim. H x W x D (mm)	50 x 590 x 520	50 x 590 x 520	50 x 590 x 520	55 x 575 x 500
Cut-out dim. L x W (mm)	560 x 490	560 x 490	560 x 490	560 x 490
EAN Codes	PN 801 636 184 4025	PN 801 636 184 3998	PN 801 636 187 0130	PN 801 636 186 0667

Ceramic glass hobs

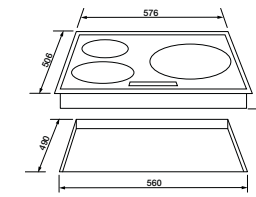
RVEF 74



RVE 632 / RVEF 633

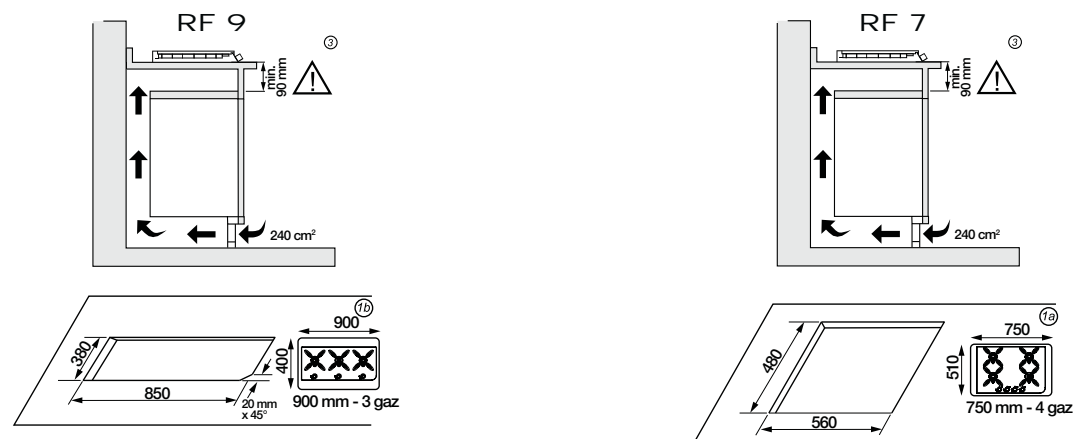


RVEF 64 / RVM 64



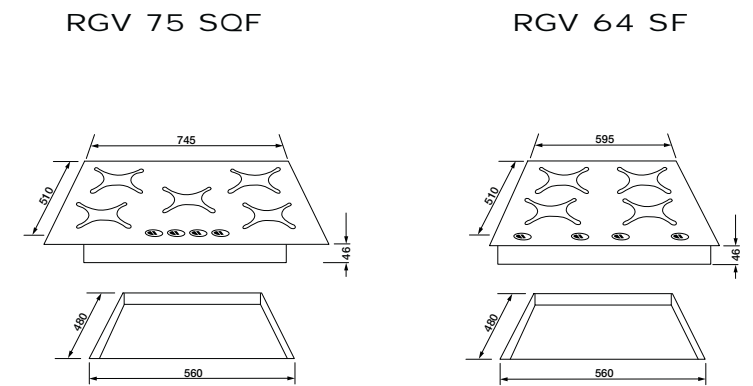
Product numbers	RVEF 74	RVE 632	RVEF 633	RVEF 64	RVM 64
Models	4,5 highlight	3,5 highlight	3,5 highlight	4 highlight	4 highlight
Colours	IN	-	IN	IN	-
SPECIFICATIONS					
Width	75 cm	60 cm	60 cm	60 cm	60 cm
Top	ceramic glass	ceramic glass	ceramic glass	ceramic glass	ceramic glass
Trim	Stainless steel front	Bevelled side edges	Stainless steel front	Stainless steel front	Bevelled side edges
CONTROLS					
Type	touch	touch	touch	touch	touch
Location	front	front	front	front	front
Settings display	electronic dial	electronic dial	electronic dial	electronic dial	electronic dial
No of settings	9	9	9	9	9
POWER/BURNER DIAMETER					
Front left burner	highlight	highlight	highlight	highlight	highlight
Power (W) - Ø (mm)	3200 - 240	2400 - 275	1800 - 190	2300 - 220	1200 - 155
Rear left burner	highlight	-	highlight	highlight	highlight
Power (W) - Ø (mm)	1800 / 2400 - 180 / 275	-	1200 - 155	1800 - 190	2500 - 220
Front right burner	highlight	highlight	highlight	highlight	highlight
Power (W) - Ø (mm)	1200 - 155	1200 - 155	2700 - 290	1200 - 155	1800 - 190
Rear right burner	highlight	highlight	-	highlight	highlight
Power (W) - Ø (mm)	1800 - 190	3200 - 240	-	1800 - 190	1800 - 190
Total installed power (elec.)	8600 W	6800 W	5700 W	7100 W	7300 W
SAFETY					
Residual heat indicators	4	3	3	4	4
One Touch Ignition	x	x	x	x	x
Timer	1	1	1	1	1
Control lock	x	x	x	x	x
Overflow protection	x	x	x	x	x
Overheating protection	x	x	x	x	x
CONNECTION/DIMENSIONS					
Connection	230 V single-phase + Neutral + Earth - 25A 230V three-phase + Earth - 25 A	230 V single-phase + Neutral + Earth - 25A 230V three-phase + Earth - 25 A	230 V single-phase + Neutral + Earth - 25A 230V three-phase + Earth - 25 A	230 V single-phase + Neutral + Earth - 25A 230V three-phase + Earth - 25 A	230 V single-phase + Neutral + Earth - 25A 230V three-phase + Earth - 25 A
	400 V three-phase + Neutral + Earth - 16 A	400 V three-phase + Neutral + Earth - 16 A	400 V three-phase + Neutral + Earth - 16 A	400 V three-phase + Neutral + Earth - 16 A	400 V three-phase + Neutral + Earth - 16 A
Packaged/unpackaged weight (kg)	10/11	10/11	10/11	10/11	10/11
Packaged dim. H x W x D (mm)	110 x 800 x 575	130 x 680 x 580	130 x 680 x 580	130 x 680 x 580	130 x 680 x 580
Unpackaged dim. H x W x D (mm)	50 x 756 x 506	50 x 576 x 506	50 x 576 x 506	50 x 576 x 506	50 x 576 x 506
Cut-out dim. L x W (mm)	740 x 490	560 x 490	560 x 490	560 x 490	560 x 490
EAN Codes	IN 801 636 182 8834	801 636 182 8827	IN 801 636 182 8773	IN 801 636 182 8803	801 636 182 8780

Gas hobs



Product numbers	RF 9	RF 7
Models	3 gas burners	4 gas burners
Colours	-	-
Width	90 cm	75 cm
Top	enamelled cast iron	enamelled cast iron
Trim	-	-
Pan stand material	enamelled cast iron	enamelled cast iron
Pan stand type	fused	fused
CONTROLS		
Type	knobs with LED lights	knobs with LED lights
Location	front	front
High-low control gas valves	x	x
POWER/BURNER DIAMETER		
Front left burner	ultrafast gas	quick-heat gas
Power (W) - Ø (mm)	3000	2500
Rear left burner	quick-heat gas	ultrafast gas
Power (W) - Ø (mm)	2600	3000
Front right burner	auxiliary gas	quick-heat gas
Power (W) - Ø (mm)	1100	2500
Rear right burner		auxiliary gas
Power (W) - Ø (mm)		1100
Total installed power (gas)	6700 W	9100 W
SAFETY		
Built-in electric ignition	x	x
Flame failure device	x	x
CONNECTION/DIMENSIONS		
Connection	230V single-phase + Earth/10 A	230V single-phase + Earth/10 A
Packaged/unpackaged weight (kg)	20 / 20,6	21 / 22
Packaged dim. H x W x D (mm)	145 x 941 x 437	188 x 802 x 692
Unpackaged dim. H x W x D (mm)	90 x 900 x 400	90 x 750 x 510
Cut-out dim. W x D (mm)	850 x 380	560 x 480
EAN Codes	801 636 181 1102	801 636 181 1089

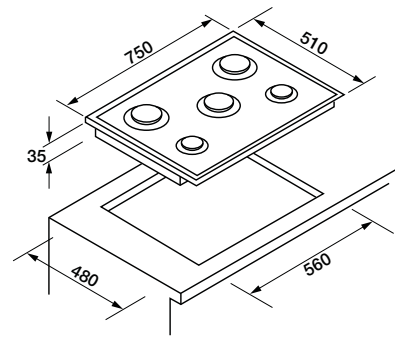
Gas hobs



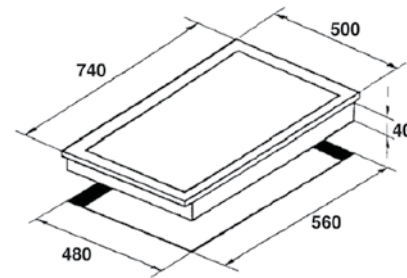
Product numbers	RGV 75 SQF	RGV 64 SF
Models	5 gas burners	4 gas burners
Colours	PN / IN	RB / PN
Width	74,5 cm	59,5 cm
Top	ceramic glass	ceramic glass
Trim	right edges	right edges
Pan stand material	solid cast iron	enamelled solid cast iron
Pan stand type	removable	removable
Burner cap material	matt enamelled cast iron	matt enamelled cast iron
CONTROLS		
Type	knobs	knobs
Location	front	front
High-low control gas valves	x	x
POWER/BURNER DIAMETER		
Front left burner	semi-rapid gas	Mijorose® auxiliary gas
Power (W) - Ø (mm)	1 750 - 75	1000 - 51
Rear left burner	quick-heat gas	ultrafast gas
Power (W) - Ø (mm)	2 500 - 101	3500 - 112
Front right burner	semi-rapid gas	semi-rapid gas
Power (W) - Ø (mm)	1750 - 75	1750 - 75
Rear right burner	quick-heat gas	quick-heat gas
Power (W) - Ø (mm)	2500 - 101	1500
Central	ultrafast gas	
Power (W) - Ø (mm)	3500 W	
Total installed power (gas)	12 000 W	8750 W
SAFETY		
Built-in electric ignition	x	x
Flame failure device	x	x
CONNECTION/DIMENSIONS		
Connection	230V single phase + Earth/10 A	230V single phase + Earth/10 A
Packaged/unpackaged weight (kg)	13 / 14	10 / 11
Packaged dim. H x W x D (mm)	140 x 800 x 600	130 x 680 x 580
Unpackaged dim. H x W x D (mm)	46 x 745 x 510	46 x 595 x 510
Cut-out dim. W x D (mm)	560 x 480	560 x 480
EAN Codes	FPN 801 163 617 12850	FRB 801 636 171 2829 FPN 801 636 171 2812

Gas hobs

RTG 75 SQD / RTG 75 SQF / RTG 74 SQF



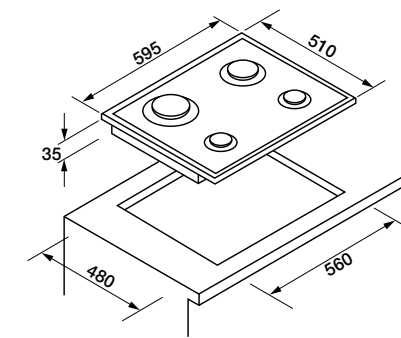
RTF 765 SF



Product numbers	RTG 75 SQD	RTG 75 SQF	RTG 74 SQF	RTF 765 SF
Models	5 gas burners	5 gas burners	4 gas burners	5 gas burners
Colours	IN	IN / PN / RB	IN	IN
ESTHÉTIQUE				
CONTROLS	knobs	knobs	knobs	knobs
Surface	large	large	large	large
PAN STANDS AND BURNER CAPS				
Pan stand material	matt enamelled cast iron	matt enamelled cast iron	matt enamelled cast iron	matt enamelled cast iron
Pan stand type	removable	removable	removable	removable
Burner cap material	matt enamelled cast iron	matt enamelled cast iron	matt enamelled cast iron	matt enamelled cast iron
Gas burner ignition	Built-in electronic	Built-in electronic	Built-in electronic	Built-in electronic
High-low control gas valves	x	x	x	x
Flame failure device	x	x	x	x
PUISSANCE / DIAMÈTRES DES FOYERS				
Front left burner	auxiliary gas	auxiliary gas		auxiliary gas 1 000
Power (W) - Ø (mm)	1000	1000		1.000
Rear left burner	semi-rapid gas	ultrafast gas	semi-rapid gas	semi-rapid gas 3 000
Power (W) - Ø (mm)	1750	1750	1750	3.000
Centre or removable burner	quadruple ring gas	quadruple ring gas	quadruple ring gas	2-3 ring gas
Power (W) - Ø (mm)	4000	4000	4000	3.800
Front right burner	semi-rapid gas	semi-rapid gas	semi-rapid gas	semi-rapid gas 1 750
Power (W) - Ø (mm)	1750	1750	1750	1.750
Rear right burner	quick-heat gas	quick-heat gas	quick-heat gas	semi-rapid gas 1 750
Power (W) - Ø (mm)	2500	2500	2500	1.750
Total installed power (gas)	11750 W	11750 W	9250 W	11 300W
CONNECTION/DIMENSIONS				
230V single-phase + Earth	16 A	16 A	16 A	16A
Packaged/unpackaged weight (kg)	23,9 / 24,3	14,2 / 15,9	13,7 / 15,1	12,6 / 15
Unpackaged dim. H x W x D (mm)	35 x 750 x 510	35 x 750 x 510	35 x 750 x 510	40 x 740 x 500
Packaged dim. H x W x D (mm)	140 x 800 x 600	140 x 800 x 600	140 x 800 x 600	135 x 800 x 580
Cut-out dim. W x D (mm)	560 x 480	560 x 480	560 x 480	560 x 480
EAN Codes		PN 801 636 181 5629 RB 801 636 181 5612		
	IN 801 636 181 5636	IN 801 636 181 5599	IN 801 636 181 5643	IN 801 636 178 0941

Gas hobs

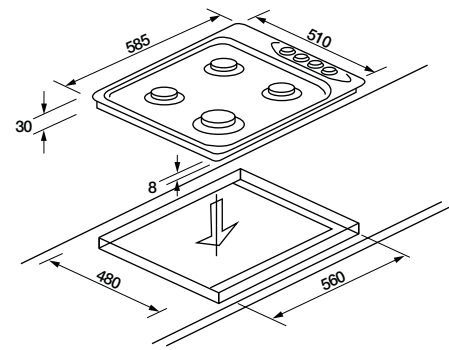
RTG 64 SQD / RTG 64 SQF / RTG 64 SF



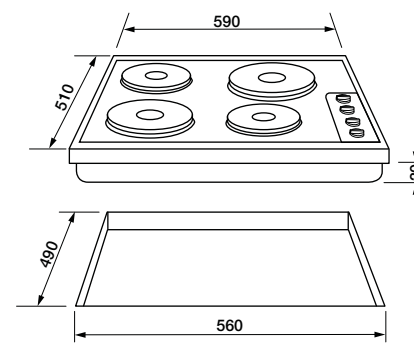
Product numbers	RTG 64 SQD	RTG 64 SQF	RTG 64 SF
Models	4 gas Fused	4 gas burners, sketch-design	4 gas burners, sketch-design
Colours	IN	IN	PN/RB/IN
STYLE			
CONTROLS	knobs	knobs	knobs
Surface utile	large	large	large
GRATES AND BURNER CAPS			
Pan stand material	matt enamelled cast iron	matt enamelled cast iron	matt enamelled cast iron
Pan stand type	removable	removable	removable
Burner cap Burner caps	matt enamelled cast iron	matt enamelled cast iron	matt enamelled cast iron
GAS BURNER IGNITION			
	Built-in electronic	Built-in electronic	Built-in electronic
High-low control gas valves	x	x	x
Flame failure device	x	x	x
BURNER POWER			
Front left burner	auxiliary gas	auxiliary gas	auxiliary gas
Power (W)	1000	1000	1000
Front right burner	semi-rapid gas	semi-rapid gas	semi-rapid gas
Power (W)	1750	1750	1750
Rear right burner	quick-heat gas	quick-heat gas	quick-heat gas
Power (W)	2500	2500	1750
Rear left burner	quadruple ring gas	quadruple ring gas	ultrafast gas
Power (W)	4000	4000	2500
Total installed power (gas)	9250	9250	7000
CONNECTION/DIMENSIONS			
230V single-phase + Earth	16A	16A	16A
Packaged/unpackaged weight (kg)	18,3 / 17,5	12 / 11	11,8 / 11
Unpackaged dim. H x L x W (mm)	35 x 595 x 510	35 x 595 x 510	35 x 595 x 510
Packaged dim. H x L x W (mm)	140 x 650 x 600	140 x 650 x 600	140 x 650 x 600
Cut-out dim. W x D (mm)	560 x 480	560 x 480	560 x 480
EAN Codes			PN 801 636 181 5568 RB 801 636 181 5551 IN 801 636 181 5544
	IN 801 636 181 2147	IN 801 636 181 5582	

Gas hobs

RTL 640 SF / RTL 640 SE / RTL 631 SE



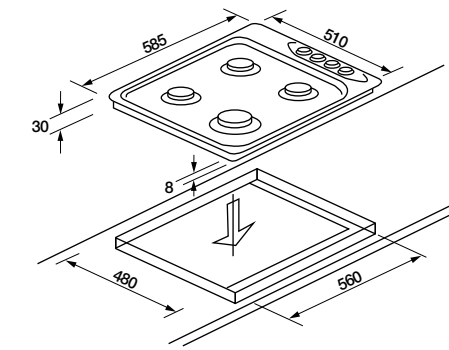
RTL 604



Product numbers	RTL 640 SF	RTL 640 SE	RTL 631 SE	RTL 604
Models	4 gas burners	4 gas burners	3 + 1 combination	4 electric burners
Colours	IN	IN / FA / RB / PN	IN / FA / RB	RB / FA / IN
Width	58,5 cm	58,5 cm	59 cm	
Pan stand material	enamelled cast iron	acier émaillé	acier émaillée	
Pan stand type	removable	removable	removable	
Burner cap material	matt enamelled cast iron	matt enamelled cast iron	matt enamelled cast iron	
CONTROLS				
Type	knobs	knobs	knobs	knobs
Location	side	side	side	side
High-low control gas valves	x	x	x	
PUISSANCES / DIAMÈTRES DES FOYERS				
Front left burner	quick-heat gas	quick-heat gas	quick-heat gas	auto protection electric
Power (W) - Ø (mm)	2750	2750	2700	2000 - 180
Rear left burner	semi-rapid gas	semi-rapid gas	auto protection elec. plate	auto protection electric
Power (W) - Ø (mm)	1700	1700	1500	1500 - 145
Front right burner	auxiliary gas	auxiliary gas	auxiliary gas	electric
Power (W) - Ø (mm)	1000	1000	1000	1000 - 145
Rear right burner	semi-rapid gas	semi-rapid gas	semi-rapid gas	electric
Power (W) - Ø (mm)	1750	1750	1700	1500 - 180
Total installed power (gas)	7200 W	7200 W	5400 W	
Total installed power (elec.)			1500 W	6000 W
SAFETY				
Integrated electronic ignition	x	x	x	
Flame failure device	x	x	x	
Protection strip	x	x	x	
Plate indicator lights			x	x
CONNECTION/DIMENSIONS				
Connection	230 V single-phase + Earth - 10 A	230 V single-phase + Earth - 10 A	230 V single-phase + Earth - 10 A	230 V single-phase + Earth - 10 A
Packaged/unpackaged weight (kg)	10 / 11	10 / 11	10 / 11	10 / 11
Packaged dim. H x W x D (mm)	125 x 580 x 640	125 x 580 x 640	125 x 580 x 640	125 x 635 x 575
Unpackaged dim. H x W x D (mm)	30 x 585 x 510	30 x 585 x 510	30 x 585 x 510	30 x 590 x 510
Cut-out dim. W x D (mm)	560 x 480	560 x 480	560 x 480	560 x 490
EAN Codes	IN 801 636 182 8551	IN 801 636 182 8153 FA 801 636 182 8544 RB 801 636 182 8575 PN 801 636 182 8537	IN 801 636 182 8476 FA 801 636 182 8483 RB 801 636 182 8568	IN 801 636 182 8490 FA 801 636 182 8520 RB 801 636 182 8506

Gas hobs

RTT 640 / RTT 631

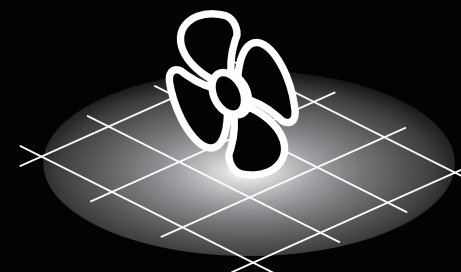


Product numbers	RTT 640	RTT 631
Models	4 gas burners	combination 3 + 1
Colours	SAVF / SFAVF / SBAVF / SWF	SAVF / SFAVF / SBAVF
Width	58,5 cm	58,5 cm
Pan stand material	enamelled cast iron	enamelled cast iron
Pan stand type	removable	removable
Burner cap material	matt enamelled cast iron	matt enamelled cast iron
CONTROLS		
Type	knobs	knobs
Location	side	side
High-low control gas valves	x	x
POWER/BURNER DIAMETER		
Front left burner	quick-heat gas	quick-heat gas
Power (W) - Ø (mm)	2750	2700
Rear left burner	semi-rapid gas	auto protection elec. plate
Power (W) - Ø (mm)	1700	1500
Front right burner	auxiliary gas	auxiliary gas
Power (W) - Ø (mm)	1000	1000
Rear right burner	semi-rapid gas	semi-rapid gas
Power (W) - Ø (mm)	1750	1700
Total installed power (gas)	7200 W	5400 W
Total installed power (elec.)		1500 W
SAFETY		
Integrated electronic ignition	x	x
Flame failure device	x	x
Protection strip	x	x
Plate indicator lights		x
CONNECTION/DIMENSIONS		
Connection	230V single-phase + Earth - 10 A	230V single-phase + Earth - 10 A
Packaged/unpackaged weight (kg)	10 / 11	10 / 11
Packaged dim. H x W x D (mm)	125 x 580 x 640	125 x 580 x 640
Unpackaged dim. H x W x D (mm)	30 x 585 x 510	30 x 585 x 510
Cut-out dim. W x D (mm)	560 x 480	560 x 480
EAN Codes	SAVF 801 636 182 1033 SFAVF 801 636 182 1088 SBAVF 801 636 182 1095 SWF 801 636 182 1101	SAVF 801 636 181 4899 SFAVF 801 636 182 1040 SBAVF 801 636 182 1071



STYLE AND FUNCTION

Rosières' decorative hoods offer contemporary lines and a blend of elegant materials: stainless steel and mirror glass or solid stainless steel. Their clean lines and modern shapes bring a distinguished and elegant touch to the most stylish of kitchens. These stylish hoods were designed to facilitate the user's life through high-performing exhaust capabilities and several additional functions: smart smoke detectors, boosters, and more.



CLEAN AIR FUNCTION

Ideal for strong odours (fish, fondue, etc.), once switched on, this function will activate your hood for 10 minutes every hour at speed 1 in order to purify the air of your kitchen.



PERFECT VISIBILITY

Halogen lighting present in the majority of Rosières hoods offers optimised light for your kitchen layout and adds a touch of its own warmth. Certain models are equipped with LED lighting, which are both stylish as well as environmentally friendly.



Hoods

PERIMETER EXTRACTION FILTER

In glass or stainless steel styles, perimeter extraction improves the suction of smoke and vapours that escape from the work-surface thanks to a new perimeter extraction setting and powerful airflow.



CHECK VALVE

For extraction hoods, check valves prevent outside air as well as grease vapour from coming back into the kitchen.

SMART SENSOR

A sensor detects the presence of smoke coming from the cooker.

It then automatically adapts the strength with which air is extracted so that the kitchen remains a liveable space. Its detection sensitivity can be adjusted, and if desired, the hood can be controlled manually. Simple and effective.



Truffles in puff pastry with pommes anna. Exclusive Lenôtre recipe for Rosières, prepared in the rFa77Fin Prodiges Oven

Serves 4. Prep time: 40 minutes, Cooking time: 17 minutes

Ingredients for the filling: 50 g white chicken meat, 50 g whipping cream, 1 g seasoning

Ingredients for the foie gras and the truffles: 60 g raw duck foie gras, 4 truffles, 15 g each 4 10 cm circular pieces

of puff pastry, egg wash, 40 g truffle juice, 20 g Port wine, 40 g whipping cream, seasoning

Ingredients for the potatoes: 300 g Charlotte potatoes, 50 g butter, seasoning

• **To prepare the filling:** Cut the chicken into cubes, then blend and season. Mix and finish by adding the whipping cream. Set aside.

• **To prepare the foie gras:** Brown the foie gras on both sides in a pan. Season and cut into four pieces; set aside.

• **To prepare the potatoes:** Peel and slice the potatoes into rounds.

Use a mandolin to slice them thinly and cook for a few moments in the butter.

On greaseproof paper, arrange the potato rounds into a "rose" shape (layered circle) of around 7 cm in diameter.

• **To prepare the truffles:** Add the truffles to the centre of the potato rose, cover with the filling and place the browned foie gras on top. Cover with the puff pastry and brush with egg wash. Bake in your Prodiges oven at 190 °C for 17 minutes. Combine the truffle juice and Port. Heat over low heat, add the cream, and adjust the seasoning.

Suggested accompaniment: Garnish with a mesclun salad mix.



Isi and hoods

RBSI 9485 IN



Dimensions (mm):
W 900 x D 600 x H 692/1057

RBSI 9485 90 cm stainless steel isi and hood

- Stainless steel style
- Thickness 4 cm
- Extraction rate¹ (boosted power): 860 m³/h
- Noise level² (boosted power): 71 dB(A)
- Extraction rate¹ (max. power): 790 m³/h
- Noise level² (max. power): 69 dB(A)
- Touch controls
- 4 speeds
- CleanAir Function
- Perimeter extraction filter
- 2 standard charcoal filters
- 4 20 W halogen lights
- Check valve
- Dishwasher-safe filter
- Air outlet¹ ø: 150 mm

Product no	Colour
RBSI 9485 IN	Stainless steel
Standard filter:	
FCH 260	Charcoal filter



RHVI 9185 IN



Dimensions (mm):
W 900 x D 600 x H 723/1068

RHVI 9185 90 cm curved stainless steel /glass isi and hood

- Curved stainless steel/glass style
- Extraction rate¹ (boosted power): 860 m³/h
- Noise level² (boosted power): 71 dB(A)
- Extraction rate¹ (max. power): 790 m³/h
- Noise level² (max. power): 69 dB(A)
- Electronic controls with display
- 4 speeds
- CleanAir Function
- Smart Sensor
- 2 20 W halogen lights
- 1 washable metal grease filter
- Air outlet¹ ø: 150 mm

Product no	Colour
RHVI 9185 IN	Stainless steel
Optional:	
FCH 260	Charcoal filter



¹ Complies with EN 61591 standard
² Complies with EN 60704 -2-13 and EN 60704-3 standards

RDL 910 IN



Dimensions (mm):
W 500 x D 500 x H 550/950

RDL 910 50 cm lampshade hood

- Style: lampshade stainless steel hood
- Extraction rate¹ (boosted power): 450 m³/h
- Noise level² (boosted power): 74 dB(A)
- Extraction rate¹ (max. power): 420 m³/h
- Noise level² (max. power): 71 dB(A)
- Recirculating hood
- Ceiling installation via stainless steel tube speeds
- Backlit electronic controls
- 1 dishwasher-safe metal grease filter
- 3 LED lights

Product no	Colour
RDL 910 IN	Stainless steel
Standard filter:	
FC ESA	Charcoal filter



RDCI 6070 IN



Dimensions (mm):
W 600 x D 430 x H 850/1150

RDCI 6070 Stainless steel isi and hood

- Stainless steel/cube style
- Extraction rate¹ (boosted power): 640 m³/h
- Noise level² (boosted power): 66 dB(A)
- Extraction rate¹ (max. power): 360 m³/h
- Noise level² (max. power): 54 dB(A)
- Electronic controls
- speeds
- 2 20 W halogen lights
- 1 washable metal grease filter
- Standard charcoal filter
- Air outlet¹ ø: 150 mm

Product no	Colour
RDCI 6070 IN	Stainless steel
Optional:	
FCH150	Standard charcoal filter



¹ Complies with EN 61591 standard
² Complies with EN 60704 -2-13 and EN 60704-3 standards



RDTI 4365 IN

Dimensions (mm):
W 430 x D 430 x H 850/1150

RDTI 4365

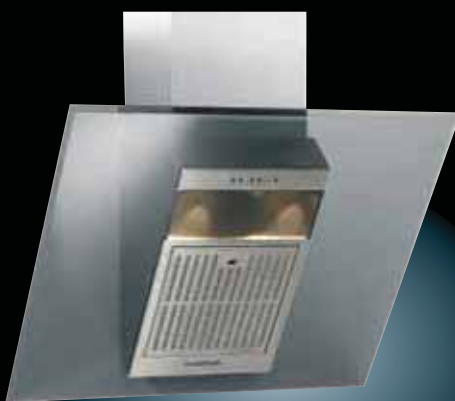
Stainless steel island hood

- Stainless steel/cylinder style, 43 cm diameter
- Extraction rate¹ (boosted power): 640 m³/h
- Noise level² (boosted power): 66 dB(A)
- Extraction rate¹ (max. power): 360 m³/h
- Noise level² (max. power): 54 dB(A)
- Electronic controls
- 3 speeds
- 2 20 W halogen lights
- 1 washable metal grease filter
- Standard charcoal filter
- Air outlet¹ ø: 150 mm

Product no	Colour
RDTI 4365 IN	Stainless steel
Optional:	
FCH150	Standard charcoal filter



Decorative hoods



RHV 9102 IN

Dimensions (mm):
W 900 x D 450 x H 1201/1457

RHV 9102

90 cm cut-plane glass/stainless steel hood

- Style: 45° cut-plane stainless steel/smoked glass
- Extraction rate¹ (boosted power): 700 m³/h
- Noise level² (boosted power): 68 dB(A)
- Extraction rate¹ (max. power): 600 m³/h
- Noise level² (max. power): 65 dB(A)
- Slim electronic controls
- 4 speeds
- Filter saturation indicator light
- 1 dishwasher-safe metal grease filter
- 2 20 W halogen lights
- Check valve
- Air outlet¹ ø: 150 mm

Product no	Colour
RHV 9102 IN	Stainless steel
Optional:	
FCH 360	Charcoal filter



¹ Complies with EN 61591 standard
² Complies with EN 60704 -2-13 and EN 60704-3 standards



RHDC 918 MIN

Dimensions (mm): W 898 x D 330 x H 94/118

RHDC 918

90 cm designer glass/stainless steel hood

- Style: Vertical-plane stainless steel/glass mirror
- Extraction rate¹ (boosted power): 700 m³/h
- Noise level² (boosted power): 68 dB(A)
- Extraction rate¹ (max. power): 600 m³/h
- Noise level² (max. power): 65 dB(A)
- Slim electronic controls
- speeds
- Smart Sensor
- Standard charcoal filter
- Filter saturation indicator light
- 1 dishwasher-safe metal grease filter
- 2 20 W halogen lights
- Check valve
- Air outlet¹ ø: 150 mm

Product no	Colour
RHDC 918 MIN	Stainless steel
Optional:	
FCH 520	Charcoal filter



RDM 917 IN

Dimensions (mm):
W 900 x D 358 x H 1025/1350

RDM 917

90 cm solid stainless steel hood

- Stainless steel/45° cut-plane style
- Extraction rate¹ (boosted power): 560 m³/h
- Noise level² (boosted power): 66 dB(A)
- Extraction rate¹ (max. power): 506 m³/h
- Noise level² (max. power): 64 dB(A)
- Electronic controls
- speeds
- CleanAir Function
- Perimeter extraction filter
- standard charcoal filters
- 2 20 W halogen lights
- Check valve
- Air outlet¹ ø: 150 mm

Product no	Colour
RDM 917 IN	Stainless steel
Optional:	
FCH 628	Charcoal filter



¹ Complies with EN 61591 standard
² Complies with EN 60704 -2-13 and EN 60704-3 standards

RDD 980 PN

90 cm downdraft stainless steel and glass hood

- Lift downdraught extractor
- Extraction rate¹ (max. power): 660 m³/h
- Stainless steel finish
- Perimeter extraction
- Touch capacitive controls
- 4 speed settings
- LED lighting panel
- Aluminum grease filter
- Noise level²: max 65dB, min 43dB
- Charcoal filter included

Product no	Colour
RDD 980 PN	Stainless steel and black glass

Dimensions (mm):
W 860 x D 360 x H 741 (max 1051)

RDD 980 PN



¹ Complies with EN 61591 standard
² Complies with EN 60704 -2-13 and EN 60704-3 standards

RVSD 970

90 cm remote-controlled Smartblack black glass hood

- Designer black glass style
- Extraction rate (max. power): 750 m³/h
- Noise level (max. power): 68 dB(A)
- Blue LED touch controls
- Comes with remote control
- Can be installed as recirculation hood (ductless)
- 60 min. timer
- 2 1.5 W LED lights
- 1 washable metal grease filter
- standard charcoal filters
- Check valve
- Air outlet³ ø: 150 mm

Product no	Colour
RVSD 970 PN	Black
Standard filter:	
FCR17	Charcoal filter

Dimensions (mm):
W 900 x D 441 x H 121/160

RVSD 970 PN



COLLECTION
PRIVILEGE



REMOTE CONTROL INCLUDED

Make adjustments easily with a simple press of the touch screen. To round off the look of this hood, its buttons are backlit.

In addition, thanks to a remote control, simplify the upkeep of your hood: no more fingerprints. Take advantage of high-tech comfort with a hand-held control.

PROFESSIONAL OPENING
The Smartblack hood has taken a leaf out of the professional book: it opens when in use and closes afterwards to meld into your decor like all professional hoods.



Decorative hoods

RHV 9185 IN



Dimensions (mm):
W 898 x D 500 x H 785/1200

RHV 9185

90 cm hood glass/stainless steel /smoked glass/Smart sensor

- Curved stainless steel/glass style
- Extraction rate¹ (boosted power): 860 m³/h
- Noise level² (boosted power): 71 dB(A)
- Extraction rate¹ (max. power): 790 m³/h
- Noise level² (max. power): 69 dB(A)
- Electronic controls with display
- 4 speeds
- CleanAir Function
- Smart Sensor
- 2 20 W halogen lights
- 1 washable metal grease filter
- Air outlet¹ ø: 150 mm

Product no	Colour
RHV 9185 IN	Stainless steel
Optional:	
FCH 260	Charcoal filter

COLLECTION
PRIVILEGE

RHV 910 IN



Dimensions (mm) : L898 x I500 x H785/1200

RHV 910

90 cm curved stainless steel /glass hood

- Curved stainless steel/glass style
- Extraction rate¹ (boosted power): 705 m³/h
- Noise level² (boosted power): 65 dB(A)
- Extraction rate¹ (max. power): 616 m³/h
- Noise level² (max. power): 61 dB(A)
- Electronic controls
- 4 speeds
- 2 20 W halogen lights
- 1 washable metal grease filter
- Air outlet¹ ø: 150 mm

Product no	Colour
RHV 910 IN	Stainless steel
Optional:	
FCH 260	Charcoal filter

¹ Complies with EN 61591 standard
² Complies with EN 60704 -2-13 and EN 60704-3 standards

RHV 9385 IN



Dimensions (mm):
W 900 x D 500 x H 650/1115

RHV 9385

90 cm glass hood

- Stainless steel/glass style
- Extraction rate¹ (boosted power): 860 m³/h
- Noise level² (boosted power): 71 dB(A)
- Extraction rate¹ (max. power): 790 m³/h
- Noise level² (max. power): 69 dB(A)
- Touch controls
- 4 speeds
- CleanAir Function
- Washable metal filters
- 2 20 W halogen lights
- standard charcoal filters
- Check valve
- Air outlet¹ ø: 150 mm

Product no	Colour
RHV 9385 IN	Stainless steel
Optional:	
FCH 628	Charcoal filter

¹ Complies with EN 61591 standard
² Complies with EN 60704 -2-13 and EN 60704-3 standards

RGM 9185 IN



Dimensions (mm):
W 900 x D 490 x H 635/965

RGM 9185

90 cm glass hood

- Curved stainless steel/glass style
- Extraction rate¹ (boosted power): 860 m³/h
- Noise level² (boosted power): 71 dB(A)
- Extraction rate¹ (max. power): 790 m³/h
- Noise level² (max. power): 69 dB(A)
- Electronic controls
- 4 speeds
- CleanAir Function
- 1 washable metal filter
- 2 standard charcoal filters
- 2 20W halogen lights
- Check valve
- Air outlet¹ ø: 150 mm

Product no	Colour
RGM 9185 IN	Stainless steel
Standard filter	
FCH 628	Charcoal filter

¹ Complies with EN 61591 standard
² Complies with EN 60704 -2-13 and EN 60704-3 standards

Decorative hoods

RBS 9485 IN



Dimensions (mm):
W 900 x D 500 x H 645/1110

RBS 9485

90 cm box chimney hood, perimeter extraction filter

- Stainless steel style
- Thickness: 4 cm
- Extraction rate¹ (boosted power): 860 m³/h
- Noise level² (boosted power): 71 dB(A)
- Extraction rate¹ (max. power): 790 m³/h
- Noise level² (max. power): 69 dB(A)
- Touch controls
- 4 speeds
- CleanAir Function
- Stainless steel perimeter extraction filter
- 2 standard charcoal filters
- 2 20 W halogen lights
- Check valve
- Dishwasher-safe filter
- Air outlet¹ ø: 150 mm

Product no	Colour
RBS 9485 IN	Stainless steel
Optional:	
FCH 260	Charcoal filter



RBS 93 IN



Dimensions (mm):
W 900 x D 500 x H 645/1110

RBS 93

90 cm slim box chimney hood

- Stainless steel style
- 32 mm slim thickness
- LCD screen
- Extraction rate¹ (boosted power): 705 m³/h
- Noise level² (boosted power): 65 dB(A)
- Extraction rate¹ (max. power): 616 m³/h
- Noise level² (max. power): 61 dB(A)
- 3 speeds + booster
- CleanAir Function
- dishwasher-safe metal grease filters
- 2 20 W halogen lights
- Air outlet¹ ø: 150 mm

Product no	Colour
RBS 93 IN	Stainless steel
Optional:	
FCH 260	Charcoal filter



¹ Complies with EN 61591 standard
² Complies with EN 60704 -2-13 and EN 60704-3 standards

RBE 95/1 IN



Dimensions (mm):
W 900 x D 520 x H 665/1130

RBE 95/1

90 cm box chimney hood, 705 m³/h

- Stainless steel style
- Thickness: 5 cm
- Extraction rate¹ (boosted power): 705 m³/h
- Noise level² (boosted power): 65 dB(A)
- Extraction rate¹ (max. power): 616 m³/h
- Noise level² (max. power): 61 dB(A)
- Electronic controls
- 4 speeds
- CleanAir Function
- 2 standard charcoal filters
- 2 20 W halogen lights
- Check valve
- Air outlet¹ ø: 150 mm

Product no	Colour
RBE 95/1 IN	Stainless steel
Optional:	
FCH 260	Charcoal filter

RMB 9685 IN



Dimensions (mm):
W 900 x D 500 x H 690/1115

RMB 9685

90 cm box chimney hood, 470 m³/h

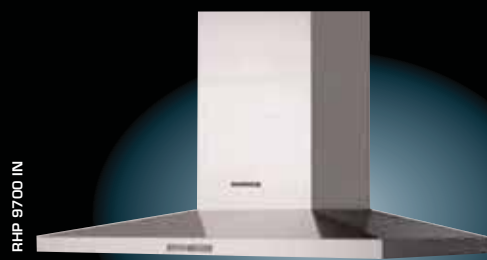
- Stainless steel style
- Thickness: 6 cm
- Extraction rate¹ (boosted power): 860 m³/h
- Noise level² (boosted power): 71 dB(A)
- Extraction rate¹ (max. power): 790 m³/h
- Noise level² (max. power): 69 dB(A)
- Electronic controls
- 3 speeds
- CleanAir Function
- 2 standard charcoal filters
- 2 20W halogen lights
- Check valve
- Air outlet¹ ø: 150 mm

Product no	Colour
RMB 9685 IN	Stainless steel
Optional:	
FCH 628	Charcoal filter



¹ Complies with EN 61591 standard
² Complies with EN 60704 -2-13 and EN 60704-3 standards

Decorative hoods



RHP 9700 IN

Dimensions (mm):
W 900 x D 508 x H 747/1065

RHP 9700

90 cm chimney hood

- Coated sheet/stainless steel body
- Extraction rate¹ (boosted power): 705 m³/h
- Noise level² (boosted power): 65 dB(A)
- Extraction rate¹ (max. power): 616 m³/h
- Noise level² (max. power): 61 dB(A)
- 3 push button-controlled speeds
- 3 washable metal grease filter
- 2 20 W halogen lights
- Check valve
- Air outlet¹ ø: 150 mm

Product no	Colour
RHP 9700 IN	Stainless steel
RHP 9700 RB	White rose
RHP 9700 PN	Black pearl

Option :

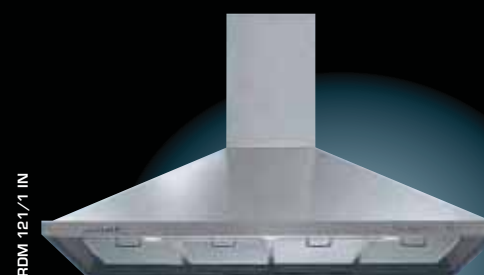
FCH 628	Charcoal filter
---------	-----------------

Product no	Colour
RHP 6700 IN	Stainless steel
RHP 6700 RB	White rose
RHP 6700 PN	Black pearl

Option :

FCH 628	Charcoal filter
---------	-----------------

60 CM VERSION AVAILABLE with same specifications



RDM 121/1 IN

Dimensions (mm): W 1198 x D 500 x H 850/1100

RDM 121/1

120 cm chimney hood

- 1 186 W dual-fan motor
- Extraction rate¹ (boosted power): 530 m³/h
- Noise level² (boosted power): 64 dB(A)
- Extraction rate¹ (max. power): 460 m³/h
- Noise level² (max. power): 60 dB(A)
- Slim electronic controls
- 4 speeds
- 4 dishwasher-safe metal grease filters
- 3 20 W halogen lights
- Filter saturation indicator light
- Check valve
- Air outlet¹ ø: 150 mm

Product no	Colour
RDM 121/1 IN	Stainless steel

Optional:

2 x FCH 520	Charcoal filter
-------------	-----------------



RDR 91/2 WV

Dimensions (mm):
W 900 x D 480 x H 890/1140

RDR 91/2

90 cm tradis chimney hood

- Coated sheet body
- Aged-brass front bar
- 1 170 W dual-fan motor
- Extraction rate¹ (max. power): 440 m³/h
- Noise level² (max. power): 65 dB(A)
- 3 push button-controlled speeds
- 3 dishwasher-safe metal grease filters
- 2 40 W halogen lights
- Check valve
- 2 standard charcoal filters
- Air outlet¹ ø: 120 mm

Product no	Colour
RDR 91/2 AV	Anthracite
RDR 91/2 BAV	Antique white

Accessories:

2 x FCH 520	Charcoal filter
-------------	-----------------

Product no	Colour
RDR 61/2 AV	Anthracite

Accessories:

2 x FCH 520	Charcoal filter
-------------	-----------------

60 CM VERSION AVAILABLE with same specifications

Aged brass finish



Anthracite Antique white

¹ Complies with EN 61591 standard

² Complies with EN 60704 -2-13 and EN 60704-3 standards



RMB 1285 IN

Dimensions (mm): W 1200 x D 485 x H 665/995

RMB 1285 IN

120 cm slim box chimney hood

- 1 250 W dual-fan motor
- Extraction rate¹ (boosted power): 860 m³/h
- Noise level² (boosted power): 71 dB(A)
- Extraction rate¹ (max. power): 790 m³/h
- Noise level² (max. power): 69 dB(A)
- Slim electronic controls
- 4 speeds
- 3 dishwasher-safe metal grease filters
- 2 20 W halogen lights
- Filter saturation indicator light
- Check valve
- Air outlet¹ ø: 150 mm

Product no	Colour
RMB 1285 IN	Stainless steel
RMB 1285 PN	Black pearl

Optional:

2 x FCH 628	Charcoal filter
-------------	-----------------



RMB 1285 PN

¹ Complies with EN 61591 standard

² Complies with EN 60704 -2-13 and EN 60704-3 standards

Extractor hoods

RHC 626/1 GR



Dimensions (mm): W 599 x D 508 x H 130

RHC 626/1 60 cm extractor hood

- 1 motor
- Extraction rate¹ (max. power): 360 m³/h
- Noise level² (max. power): 66 dB(A)
- Slider control
- 3 speeds
- Dishwasher-safe metal grease filter
- Standard charcoal filter
- 2 40 W halogen lights
- Air extracted through top
- Air outlet¹ ø: 120 mm

Product no	Colour
RHC 626/1 PN	Black pearl
RHC 626/1 RB	White rose
RHC 626/1 GR	Grey

Accessories:

FCH 10	Charcoal filter
--------	-----------------

RHC 650 IN



Dimensions (mm): W 599 x D 508 x H 130

RHC 650 60 cm extractor hood

- 2 motors
- Extraction rate¹ (max. power): 500 m³/h
- Noise level² (max. power): 66 dB(A)
- Controlled by electronic dimmer
- 4 speeds, including 1 turbo speed
- Dishwasher-safe metal grease filter
- Standard charcoal filter
- 2 20 W halogen lights
- Air extracted through top
- Air outlet¹ ø: 120 mm

Product no	Colour
RHC 650 PN	Black pearl
RHC 650 RB	White rose
RHC 650 IN	Stainless steel

Accessories:

FCH 190	Charcoal filter
---------	-----------------

RHC 940 IN



Dimensions (mm): W 899 x D 508 x H 130

RHC 940 90 cm extractor hood

- 2 motors
- Extraction rate¹ (max. power): 400 m³/h
- Noise level² (max. power): 66 dB(A)
- Controlled by electronic dimmer
- 4 speeds
- 2 dishwasher-safe metal grease filters
- Standard charcoal filter
- 2 20 W halogen lights
- Air extracted through top
- Air outlet¹ ø: 120 mm

Product no	Colour
RHC 940 PN	Black pearl
RHC 940 RB	White rose
RHC 940 IN	Stainless steel

Accessories:

FCH 190	Charcoal filter
---------	-----------------

Integrated hood

RHE 619/1 RB



Dimensions (mm): W 600 x D 270 x H 380

RHE 619/1 60 cm integrated hood

- 1 250 W motor
- Extraction rate¹ (boosted power): 520 m³/h
- Noise level² (boosted power): 68 dB(A)
- Extraction rate¹ (max. power): 470 m³/h
- Noise level² (max. power): 65 dB(A)
- Electronic controls with indicator light
- Timed booster
- 4 speeds
- 2 dishwasher-safe metal grease filters
- 2 20 W halogen lights
- Filter saturation indicator light
- Standard charcoal filter
- Check valve
- Air outlet¹ ø: 123 mm

Product no	Colour
RHE 619/1 PN	Black pearl
RHE 619/1 RB	White rose

Accessories:

2 x FCH 280	Charcoal filter
-------------	-----------------

hoods

hoods

Tel escopic hoods



RHT 650 IN

Dimensions (mm): W 600 x D 290 x H 165

RHT 650

60 cm Deluxe tel escopic hood

- 2 100 W motors
- Extraction rate¹ (max. power): 500 m³/h
- Noise level² (max. power): 66 dB(A)
- 3 slider-controlled speed settings
- 2 slider-controlled 20 W halogen lights
- Invisible side sliders (clean style)
- 2 dishwasher-safe metal grease filters
- Double extraction surface
- Removable front panel to match decor
- Check valve
- Air outlet¹ ø: 120 mm

Product no	Colour
RHT 650 PN	Black pearl
RHT 650 RB	White rose
RHT 650 IN	Stainless steel
Optional:	
FCH 628	Charcoal filter



RHT 930 IN

Dimensions (mm) : L900 x l290 x H165

RHT 930

90 cm Deluxe tel escopic hood

- 2 100 W motors
- Extraction rate¹ (max. power): 300 m³/h
- Noise level² (max. power): 66 dB(A)
- 3 slider-controlled speed settings
- 2 slider-controlled 20 W halogen lights
- Invisible side sliders (clean style)
- Double extraction surface
- 4 dishwasher-safe metal grease filters
- Check valve
- Air outlet¹ ø: 120 mm

Product no	Colour
RHT 930 IN	Stainless steel
Optional:	
FCH 628	Charcoal filter



RHTV 680 IN

Dimensions (mm): W 600 x D 290 x H 260

RHTV 680

60 cm deluxe tel escopic hood

- 1 250 W motor
- Extraction rate¹ (boosted power): 840 m³/h
- Noise level² (boosted power): 71 dB(A)
- Extraction rate¹ (max. power): 795 m³/h
- Noise level² (max. power): 69 dB(A)
- 4 speeds
- LCD screen
- 2 20 W halogen lights
- Double extraction surface
- 2 dishwasher-safe metal grease filters
- Check valve
- Air outlet¹ ø: 123 mm

Product no	Colour
RHTV 680 IN	Stainless steel
Optional:	
2 x FCH 628	Charcoal filter

Fume filters



RHG 580 IN

Dimensions (mm): W 520 x D 285 x H 275



RHG 580

52 cm fume filters, 750 m³/h

- 1 250 W motor
- Extraction rate¹ (max. power): 750 m³/h
- Noise level² (max. power): 70 dB(A)
- Slider control
- 3 speeds
- Dishwasher-safe metal grease filter
- 2 20 W halogen lights
- Standard charcoal filter
- Check valve
- Air outlet¹ ø: 123 mm

Product no	Colour
RHG 580 PN	Black pearl
RHG 580 RB	White rose
RHG 580 IN	Stainless steel
Accessories:	
FCH 280	Charcoal filter



RHG 545 IN

Dimensions (mm): W 520 x D 285 x H 181

RHG 545

52 cm fume filters, 450 m³/h

- 2 motors
- Extraction rate¹ (max. power): 450 m³/h
- Noise level² (max. power): 68 dB(A)
- Slider control
- 3 speeds
- Dishwasher-safe metal grease filter
- Standard charcoal filter
- 2 20 W halogen lights
- Air outlet¹ ø: 123 mm

Product no	Colour
RHG 545 PN	Black pearl
RHG 545 RB	White rose
RHG 545 IN	Stainless steel
Accessories:	
FCH 210	Charcoal filter



RHG 7210 IN

Dimensions (mm): W 700 x D 285 x H 181

RHG 7210

70 cm fume filters, 550 m³/h

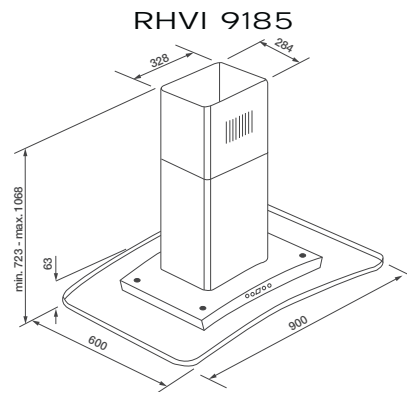
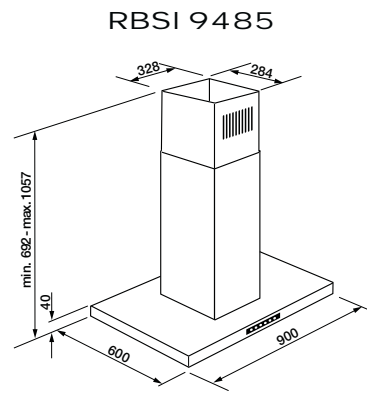
- 2 100 W motors
- Extraction rate¹ (max. power): 550 m³/h
- Noise level² (max. power): 67 dB(A)
- Electronic dimmer speed control
- 2 dishwasher-safe metal grease filters
- 2 20 W halogen lights
- Standard charcoal filter
- Check valve
- Air outlet¹ ø: 123 mm

Product no	Colour
RHG 7210 IN	Stainless steel
Accessories:	
FCH 280	Charcoal filter

¹ Selon norme EN 61591

² Complies with EN 60704-2:13 and EN 60704-3 standards

IsI and hoods



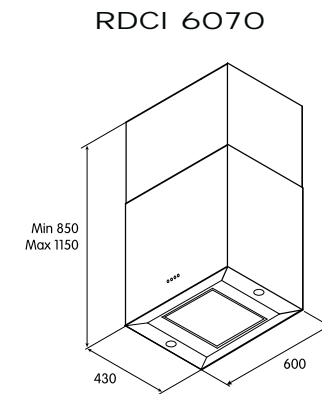
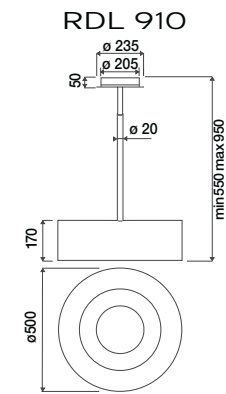
Product nos	RBSI 9485	RHVI 9185
Colours	Stainless steel	Stainless steel
STYLE		
Hood type	island	island/Curved glass
Width	90 cm	90 cm
Body	Stainless steel	Glass/stainless steel
Lighting	4 halogen lights 4x20 W	2 halogen lights 2x20 W
SPECIFICATIONS		
No of motors	1	1
No of fans	2	2
Motor power	230 W	250 W
Air flow (boosted power) ¹	860 m ³ /h	860 m ³ /h
Air flow (max. power) ¹	790 m ³ /h	790 m ³ /h
No of speeds	4	4
Noise level (boosted power) ²	71 dB(A)	71 dB(A)
Noise level (max. power) ²	69 dB(A)	69 dB(A)
Controls	touch	Display
Smoke detector		x
CleanAir	x	x
Filters	Perimeter extraction	1 metal
Washable filters	Yes	Yes
Filter saturation indicator light		
Check valve	Yes	Yes
Total power	270 W	290 W
EXTRACTION MODE		
Extraction/recirculation	E / R	E / R
Air outlet Ø	150 mm	150 mm
Charcoal filter	Standard	Standard
Connection/dimensions		
Connection	230V single-phase + Earth - 10 A	230V single-phase + Earth - 10 A
Packaged/unpackaged weight (kg)	20 / 35	13,7 / 29,8
Packaged dimensions (HWD) (cm)	53,9 x 100,5 x 72,5	59,5 x 96,7 x 54
Overall dimensions (HWD) (cm)	69,2/105,7 x 90 x 60	72,3/106,8 x 90 x 60
EAN Codes		
	IN 801 636 185 0798	IN 801 636 185 0811
OPTION		
Charcoal filter	FCH 260	FCH 260

¹ Selon norme EN 61591

² Complies with EN 60704 -2-13 and EN 60704-3 standards

All of our hoods come with a cord and two-prong plug.

IsI and hoods



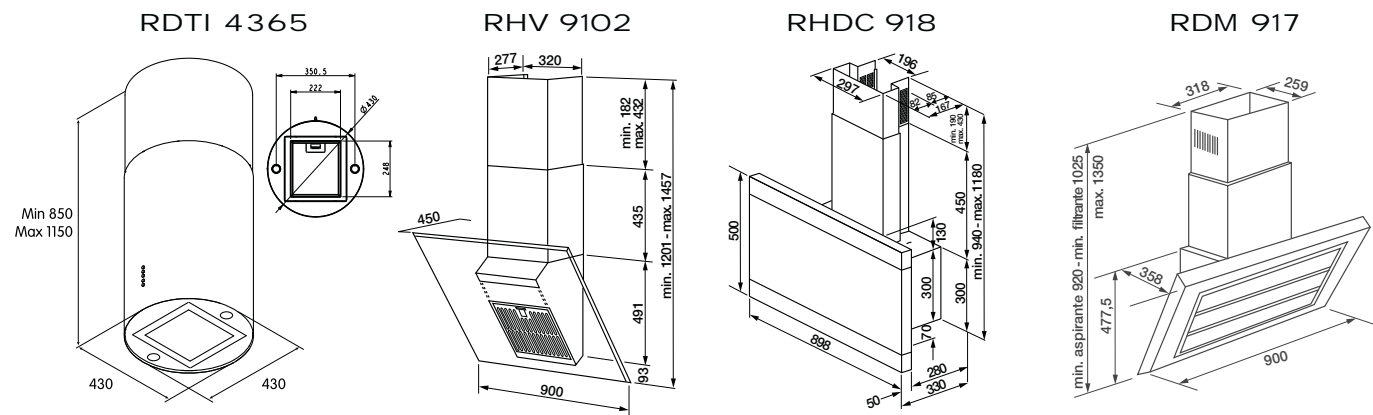
Product nos.	RDL 910	RDCI 6070
Colours	Stainless steel	Stainless steel
STYLE		
Hood type	island	island/cube style
Width	50 cm	90 cm
Body	Stainless steel	Stainless steel
Lighting	3 leds 3x3 W	2 halogen lights 2x20 W
SPECIFICATIONS		
No of motors	1	1
No of fans		2
Motor power	90 W	250 W
Air flow (boosted power) ¹	450 m ³ /h	640 m ³ /h
Air flow (max. power) ¹	420 m ³ /h	360 m ³ /h
No of speeds	4	3
Noise level (boosted power) ²	74 dB(A)	66 dB(A)
Noise level (max. power) ²	71 dB(A)	54 dB(A)
Controls	Backlit	Display
Smart sensor		
Filters	1 aluminium	1 metal
Washable filters		Yes
Filter saturation indicator light		
Check valve		
Total power	99 W	290 W
EXTRACTION MODE		
Extraction/recirculation	R	E / R
Air outlet Ø		150 mm
Charcoal filter	Standard	Standard
Connection/dimensions		
Connection		230V single-phase + Earth - 10 A
Packaged/unpackaged weight (kg)	18,5 / 24,5	33,6 / 48,15
Packaged dimensions (HWD) (cm)	40 x 126 x 64	91,5 x 113 x 59
Overall dimensions (HWD) (cm)	55/95 x 50 x 50	85/115 x 60 x 43
EAN Codes		
	IN 801 636 182 7714	IN 8016361850859
OPTION		
Charcoal filter	FC ESA	FCH150

¹ Selon norme EN 61591

² Complies with EN 60704 -2-13 and EN 60704-3 standards

All of our hoods come with a cord and two-prong plug.

Decorative hoods



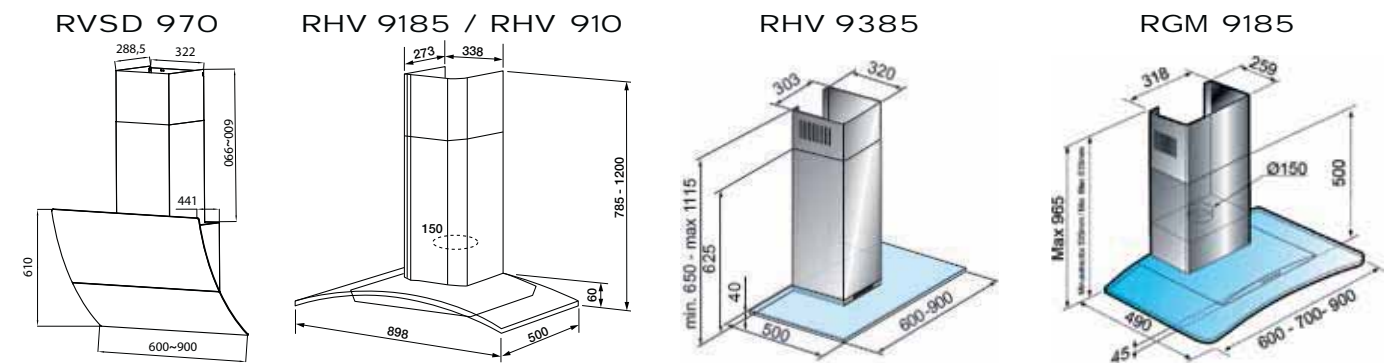
Référence	RDTI 4365	RHV 9102	RHDC 918	RDM 917	RDD980PN
Colours	Stainless steel	Stainless steel	Glass mirror/Stainless	Stainless steel	stainless steel and black glass
STYLE					
Hood type	Island	Decorative	Decorative	Decorative	Downdraft
Width	43 cm	90 cm	90 cm	90 cm	90 cm
Body	Stainless steel	Stainless/smoked glass	Stainless/glass mirror	Stainless steel	Stainless steel and glass
Lighting	2 halogen lights 2x20 W	2 halogen lights 2x20 W	2 halogen lights 2x20 W	2 halogen lights 2x20 W	LED 1X8,5W
SPECIFICATIONS					
No of motors	1	1	1	1	1
No of fans	2	2	2	2	2
Motor power	250 W	250 W	250 W	250 W	260 W
Air flow (boosted power) ¹	640 m³/h	700 m³/h	700 m³/h	560 m³/h	660 m³/h
Air flow (max. power) ¹	360 m³/h	600 m³/h	600 m³/h	506 m³/h	640 m³/h
No of speeds	3	4	4	4	3+1
Noise level (boosted power) ²	66 dB(A)	68 dB(A)	68 dB(A)	66 dB(A)	43 dB(A)
Noise level (max. power) ²	54 dB(A)	65 dB(A)	65 dB(A)	64 dB(A)	65 dB(A)
Controls	Electronic	Slim electronic	Slim electronic	Slim electronic	Touch capacitive
Smart sensor		Yes	x		
CleanAir				x	
Filters	1 metal	1 metal	1 metal	Perimeter extraction	1 aluminum
Washable filters	Yes	Yes	Yes	Yes	Yes
Filter saturation indicator light		Yes	Yes	Yes	Yes
Check valve		Yes	Yes	Yes	No
Total power	290 W	290 W	290 W	290 W	268,5 W
EXTRACTION MODE					
Extraction/recirculation	E / R	E / R	E / R	E / R	E
Air outlet Ø	150 mm	150 mm	150 mm	150 mm	150 mm
Charcoal filter	Standard	Option	Standard (2)	Standard (2)	Yes
CONNECTION/DIMENSIONS					
Connection	230V single-phase + Earth - 10 A	230V single-phase + Earth - 10 A+	230V single-phase Earth - 10 A	230V single-phase + Earth - 10 A	230V single-phase + Earth - 10 A
Packaged/unpackaged weight (kg)	26,3 / 37,9	29,21 / 59,6	15 / 19,4	NC	22,5/18,5
Packaged dimensions (HWD) (cm)	91,5 x 96,5 x 59	65,5 x 121 x 106	63 x 100 x 62	58 x 97,5 x 40,5	1005x930x570
Overall dimensions (HWD) (cm)	85/115 x 43 x 43	120,1/145,7 x 90 x 45	94/118 x 89,8 x 33	102,5/135 x 90 x 35,8	860x360x741 (max 105)
EAN CODES					
	IN 8016361850866	IN 801 636 173 4081	MIN 801 636 181 1249	IN 801 636 183 5580	'8016361889446
OPTION					
Charcoal filter	FCH150	FCH 360	FCH 520	FCH 628	

¹ Selon norme EN 61591

² Complies with EN 60704 -2-13 and EN 60704-3 standards

All of our hoods come with a cord and two-prong plug.

Decorative hoods



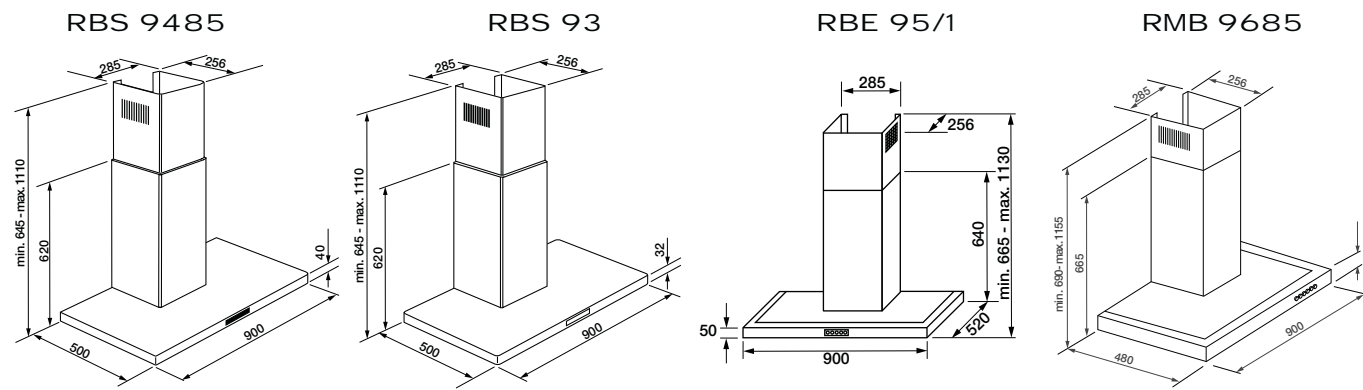
Product nos.	RVSD 970	RHV 9185	RHV 910	RHV 9385	RGM 9185
Colours	Noire	Stainless steel	Stainless steel	Stainless steel	Stainless steel
STYLE					
Hood type	Black glass	Curved glass	Curved glass	Curved glass	Curved glass
Width	90cm	90 cm	90 cm	90 cm	90 cm
Body	Black glass	Glass/stainless steel	Glass/stainless steel	Glass/stainless steel	Glass/stainless steel
Lighting	2 leds 2x1,5W	2 halogen lights 2x20W	2 halogen lights 2x20W	2 halogen lights 2x20W	2 halogen lights 2x20W
SPECIFICATIONS					
No of motors	1	1	1	1	1
No of fans	2	2	2	2	2
Motor power	210W	250 W	250 W	230 W	250 W
Air flow (boosted power) ¹	-	860 m³/h	705 m³/h	860 m³/h	860 m³/h
Air flow (max. power) ¹	750 m³/h	790 m³/h	616 m³/h	790 m³/h	790 m³/h
No of speeds	3	4	4	4	4
Puissance acoustique (boosted power) ²	-	71 dB(A)	65 dB(A)	71 dB(A)	71 dB(A)
Puissance acoustique (max. power) ²	68 dB(A)	69 dB(A)	61 dB(A)	69 dB(A)	69 dB(A)
Controls	Touch + remote control	Display	Pad	Touch	Pad
Smoke detector	non	x	x	Yes	x
CleanAir		x		x	
Filters	1 metal	1 metal	1 metal	2 metal	1 metal
Washable filters	Yes	Yes	Yes	Yes	Yes
Filter saturation indicator light	Yes				
Check valve	Yes	Yes	Yes	Yes	Yes
Total power	213W	290 W	290 W	270 W	290 W
EXTRACTION MODE					
Extraction/recirculation	E / R	E / R	E / R	E / R	E / R
Air outlet Ø	150 mm	150 mm	150 mm	150 mm	150 mm
Charcoal filter	Standard	Standard	Standard	Standard	Standard
CONNECTION/DIMENSIONS					
Connection	230V single-phase + Earth - 10 A	230V single-phase + Earth - 10 A	230V single-phase + Earth - 10 A	230V single-phase + Earth - 10 A	230V single-phase + Earth - 10 A
Packaged/unpackaged weight (kg)	26,1 / 30,7	13,7 / 29,8	13,7 / 29,8	21 / 26	15,1 / 19,1
Packaged dimensions (HWD) (cm)	69 x 95 x 50	59,5 x 96,7 x 54	59,5 x 96,7 x 54	54,9 x 100,9 x 65,7	43 x 99 x 61,5
Overall dimensions (HWD) (cm)	121/160 x 90 x 44,1	78,5/120 x 89,8 x 50	78,5/120 x 89,8 x 50	65/111,5 x 90 x 50	63,5/96,5 x 90 x 49
EAN CODES					
	PN 801 636 186 8458	IN 801 636 185 0804	IN 801 636 183 4927	IN 801 636 185 0828	IN 801 636 185 0835
OPTION					
Charcoal filter	FCR 17	FCH 260	FCH 260	FCH 628	FCH 628

¹ Selon norme EN 61591

² Complies with EN 60704 -2-13 and EN 60704-3 standards

All of our hoods come with a cord and two-prong plug.

box chimney hoods



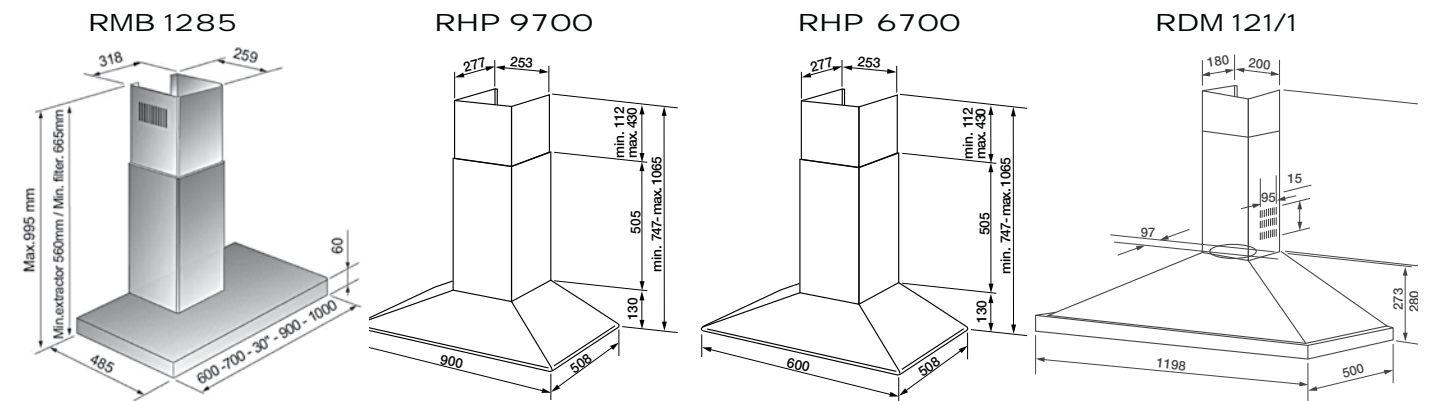
Product nos.	RBS 9485	RBS 93	RBE 95/1	RMB 9685
Couleur	Stainless steel	Stainless steel	Stainless steel	Stainless steel
STYLE				
Hood type	Box	Box	Box	Box
Width	90 cm	90 cm	90 cm	90 cm
Body	Stainless steel	Stainless steel	Stainless steel	Stainless steel
Lighting	2 halogen lights 2x20W	2 halogen lights 2x20W	2 halogen lights 2x20W	2 halogen lights 2x20W
SPECIFICATIONS				
No of motors	1	1	1	1
No of fans	2	2	2	2
Motor power	160 W	250 W	230 W	130 W
Air flow (boosted power) ¹	860 m ³ /h	705 m ³ /h	705 m ³ /h	860 m ³ /h
Air flow (max. power) ¹	790 m ³ /h	616 m ³ /h	616 m ³ /h	790 m ³ /h
No of speeds	4	4	4	3
Noise level boosted power ²	71 dB(A)	65 dB(A)	65 dB(A)	71 dB(A)
Noise level (max. power) ²	69 dB(A)	61 dB(A)	61 dB(A)	69 dB(A)
Controls	Touch	LCD, 32 mm slim	Pad	Push button
Smoke detector				
CleanAir	x	x	x	x
Filters	2 metal	3 metal	2 metal	2 metal
Washable filters	Yes	Yes	Yes	Yes
Filter saturation indicator light	Yes	Yes	Yes	Yes
Check valve	Yes	Non	Yes	Yes
Total power	270 W	250 W	270 W	170 W
EXTRACTION MODE				
Extraction/recirculation	E / R	E / R	E / R	E / R
Air outlet Ø	150 mm	150 mm	150 mm	150 mm
Charcoal filter	Standard (2)	Standard (2)	Standard (2)	Standard (2)
CONNECTION/DIMENSIONS				
Connection	230V single-phase + Earth - 10 A	230V single-phase + Earth - 10 A	230V single-phase + Earth - 10 A	230V single-phase + Earth - 10 A
Packaged/unpackaged weight (kg)	16 / 20	15,9 / 20,4	19 / 23	21,2 / 26,6
Dimensions emballées (HLP)	58,7 x 96,4 x 47,4	58,7 x 96,4 x 47,4	54,9 x 100,9 x 65,7	65,7 x 100,9 x 54,9
Dimensions hors-tout (cm)	64,5/111 x 90 x 50	64,5/111 x 90 x 50	66,5/113 x 90 x 52	69/111,5 x 90 x 48
EAN CODES				
	801 636 185 0781	801 636 182 2665	801 636 178 2006	801 636 185 0842
OPTION				
Charcoal filter	FCH 260	FCH 260	FCH 260	FCH 628

¹ Selon norme EN 61591

² Complies with EN 60704 -2-13 and EN 60704-3 standards

All of our hoods come with a cord and two-prong plug.

chimney hoods



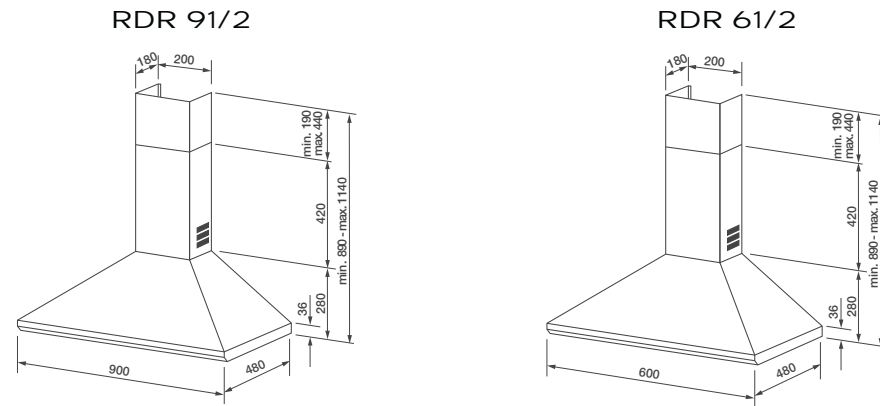
Product no	RMB 1285	RHP 9700	RHP 6700	RDM 121/1
Couleur	Stainless/Black	Stainless/White/Black	Stainless/White/Black	SS
STYLE				
Hood type	Box	Pyramide	Pyramide	Pyramide
Width	120 cm	90 cm	60 cm	120 cm
Body	Stainless steel	Stainless/Coated sheet	Stainless/Coated sheet	Coated sheet/Stainless
Lighting	2 halogen lights 2x20W	2 halogen lights 2x20W	2 halogen lights 2x20W	3 halogen lights 3x20W
SPECIFICATIONS				
No of motors	1	1	1	1
No of fans	2	2	2	2
Motor power	250W	155 W	155 W	186 W
Air flow (boosted power) ¹	860 m ³ /h	705 m ³ /h	705 m ³ /h	530 m ³ /h
Air flow (max. power) ¹	790 m ³ /h	616 m ³ /h	616 m ³ /h	460 m ³ /h
No of speeds	4	3	3	4
Noise level boosted power ²	71 dB(A)	65 dB(A)	65 dB(A)	64 dB(A)
Noise level (max. power) ²	69 dB(A)	61 dB(A)	61 dB(A)	60 dB(A)
Controls	LCD	Push button	Push button	Push button
Temporisateur				
Filters	3 aluminium	3 metal	2 metal	4 metal
Washable filters	Yes	Yes	Yes	Yes
Filter saturation indicator light			x	
Check valve	Yes	Yes	Yes	Yes
Total power	290 W	195 W	195 W	246 W
EXTRACTION MODE				
Extraction/recirculation	E / R	E / R	E / R	E / R
Air outlet Ø	150 mm	150 mm	150 mm	150 mm
Charcoal filter	Option	Option	Option	Option
CONNECTION/DIMENSIONS				
Connection	230V single-phase + Earth - 10 A	230V single-phase + Earth - 10 A	230V single-phase + Earth - 10 A	230V single-phase + Earth - 10 A
Packaged/unpackaged weight (kg)	16 / 20	16 / 19	12 / 14,2	26 / 31
Dimensions emballées (HLP)	61,5 x 129 x 43	63,5 x 99 x 47	53,5 x 70 x 47	55,5 x 130 x 62
Dimensions hors-tout (cm)	66,5/99,5 x 120 x 48,5	74,7/106,5 x 90 x 50,8	74,7/106,5 x 60 x 50,8	85/110 x 119,8 x 50
EAN CODES				
	IN 801 636 185 9999 PN 801 636 186 0001	IN 801 636 185 0903 RB 801 636 185 0927 PN 801 636 185 0910	IN 801 636 185 0873 RB 801 636 185 0897 PN 801 636 185 0880	801 636 183 0387
OPTION				
Charcoal filter	FCH 628	FCH 628	FCH 628	FCH 520

¹ Selon norme EN 61591

² Complies with EN 60704 -2-13 and EN 60704-3 standards

All of our hoods come with a cord and two-prong plug.

Chimney hoods



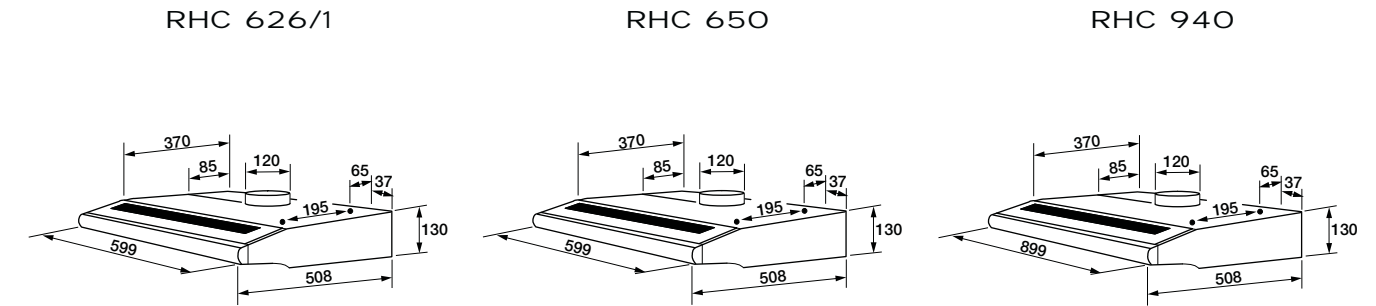
product nos.	RDR 91/2	RDR 61/2
Couleur	AV / BAV	AV
STYLE		
Hood type	Tradis	Tradis
Width	90 cm	60 cm
Body	Coated sheet	Coated sheet
Lighting	2 ights 2x40W	2 ights 2x40W
SPECIFICATIONS		
No of motors	1	1
No of fans	2	2
Motor power	130 W	135 W
Air flow (boosted power) ¹		
Air flow (max. power) ¹	440 m ³ /h	440 m ³ /h
No of speeds	3	3
Noise level boosted power ²		
Noise level (max. power) ²	65 dB(A)	65 dB(A)
Controls	Push button	Push button
Timer		
Filters	3 metal	2 metal
Washable filters	Yes	Yes
Filter saturation indicator light		
Check valve	Yes	Yes
Total power	191 W	191 W
Lighting	2 x 28 W halo	2 x 28 W halo
EXTRACTION MODE		
Extraction/recirculation	E / R	E / R
Air outlet Ø	120 mm	120 mm
Charcoal filter	Standard	Standard
CONNECTION/DIMENSIONS		
Connection	230V single-phase + Earth - 10 A	230V single-phase + Earth - 10 A
Packaged/unpackaged weight (kg)	13 / 16	11 / 14
Packaged dimensions (HWD)	56 x 95,1 x 42,5	56 x 65,8 x 42,5
Overall dimensions (cm)	89/114 x 90 x 48	89/114 x 60 x 48
EAN CODES		
	AV 801 636 182 9411 BAV 801 636 182 9428	AV 801 636 182 9404
OPTION		
Charcoal filter	2 x FCH 520	2 x FCH 520

¹ Selon norme EN 61591

² Complies with EN 60704 -2-13 and EN 60704-3 standards

All of our hoods come with a cord and two-prong plug.

Extractor hoods



Product nos.	RHC 626/1	RHC 650	RHC 940
Colours	PN / RB / GR	PN / RB / IN	PN / RB / IN
SPECIFICATIONS	60 cm	60 cm	90 cm
Nb de moteurs	1	2	2
Nb de turbines	2	2	2
Puis. moteur	1 x 160 W	2 x 100 W	2 x 100 W
Air flow (boosted power) ¹			
Air flow (max. power) ¹	360 m ³ /h	500 m ³ /h	400 m ³ /h
Nb de vitesses	3	3 + 1 turbo	3 + 1 turbo
Noise level (max. power) ²	66 dB(A)	66 dB(A)	66 dB(A)
Controls	slider	electronic dimmer	electronic dimmer
Timer			-
filter(s) Charcoal	Charcoal + 2 metal K7	Charcoal + 2 metal K7	Charcoal + 2 metal
Washable filters	X	X	X
Filter saturation indicator light			
Check valve			
Lighting	2 x 40 W	2 x 20 W halo	2 x 20 W halo
Body	coated sheet	coated sheet/stainless	coated sheet/stainless
EXTRACTION MODE			
Extraction/recirculation	E / R	E / R	E / R
Air outlet Ø	120 mm	120 mm	120 mm
Charcoal filter	Standard	Standard	Standard
Connection/dimensions			
Total power	280 W	240 W	240 W
230 V + T	10 A	10 A	10 A
Packaged/unpackaged weight (kg)	9 / 10	9 / 10	10 / 11
Dimensions hors tout (HLP) (cm)	13 x 59,9 x 50,8	13 x 59,9 x 50,8	13 x 89,9 x 50,8
Packaged dimensions (HWD) (cm)	17,8 x 64,7 x 64,7	18,5 x 85,5 x 57,5	17,8 x 94,7 x 56,3
CODES EAN			
	PN 801 636 184 8368 RB 801 636 184 8375 GR 801 636 184 8382	PN 801 636 184 7590 RB 801 636 184 7576 IN 801 636 184 7583	PN 801 636 184 4760 RB 801 636 184 7613 IN 801 636 184 7620
ACCESSORIES			
Charcoal filter	FCH 10	FCH 190	FCH 190

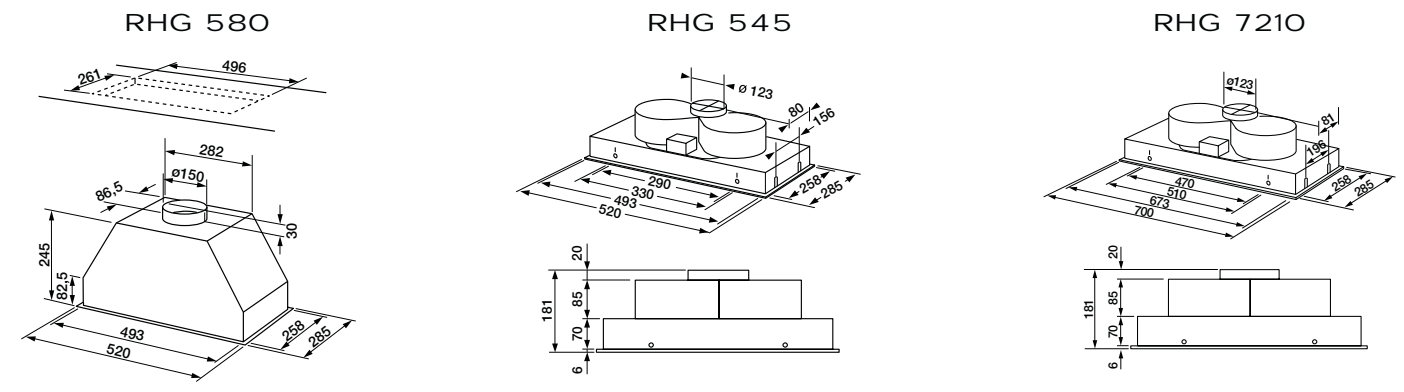
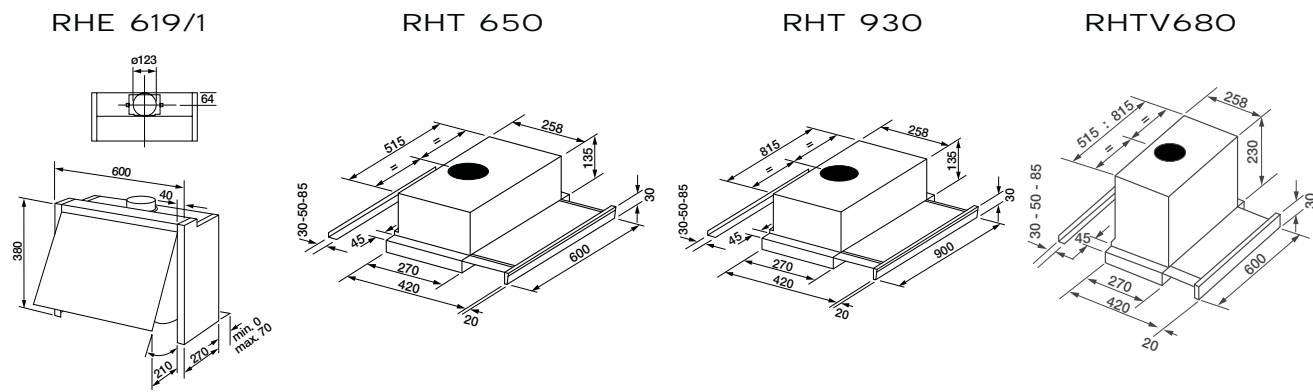
¹ Selon norme EN 61591

² Complies with EN 60704 -2-13 and EN 60704-3 standards

All of our hoods come with a cord and two-prong plug.

Integrated & telescopic hoods

Fume filters



Product nos	RHE 619/1	RHT 650	RHT 930	RHTV680
Couleur	PN / RB	PN / RB / IN	SS	SS
SPECIFICATIONS	60 cm	60 cm	90 cm	60 cm
No of motors	1	2	2	1
No of fans	1	2	2	1
Motor power	1 x 250 W	2 x 100 W	2 x 100 W	1 x 250 W
Air flow (boosted power) ¹	520 m ³ /h			840 m ³ /h
Air flow (max. power) ¹	470 m ³ /h	500 m ³ /h	300 m ³ /h	795 m ³ /h
No of speeds	4			1
Noise level boosted power ²	68 dB(A)			71 dB(A)
Noise level (max. power) ²	65 dB(A)	66 dB(A)	66 dB(A)	69 dB(A)
Controls	Pad	Slider	Slider	LCD
Timer	x			
Filters	2 x metal K7	2 x metal K7	2 x metal K7	2 x metal
Washable filters	x	x	x	x
Filter saturation indicator light	x	x	x	x
Check valve	x			x
Lighting	2 x 20 W halogen	2 x 20 W halogen	2 x 20 W halogen	2 x 20 W halogen
Body	Coated sheet	Coated sheet/Stainless	Stainless steel	Coated sheet
EXTRACTION MODE				
Extraction/recirculation	E / R	E / R	E / R	E / R
Air outlet Ø	123 mm	120 mm	120 mm	123 mm
Charcoal filter	Standard	Option	Option	Standard
CONNECTION/DIMENSIONS				
Total power	290 W	240 W	240 W	290 W
230 V + Earth	10 A	10 A	10 A	10 A
Packaged/unpackaged weight (kg)	12,5 / 14	9,5 / 10	12,5 / 14	10,5 / 11,6
Overall dimensions (HWD) (cm)	27 x 60 x 38	16,5 x 60 x 29	16,5 x 90 x 29	26 x 60 x 29
Dimensions emballées (HLP)	45,5 x 67,4 x 38	25 x 65 x 38	27 x 95 x 38	40,4 x 67 x 38,9
EAN CODES				
	PN 801 636 176 2305 RB 801 636 176 2299	PN 801 636 184 7651 RB 801 636 184 7644 IN 801 636 184 7637	IN 801 636 184 7668	801 636 185 9838
OPTION				
Charcoal filter	2 x FCH 280	FCH 628	FCH 628	2 x FCH 628

Product nos	rhg 580	rhg 545	rhg 7210
Couleur	PN / RB / IN	PN / RB / IN	IN
SPECIFICATIONS	52 cm	52 cm	70 cm
No of motors	1	2	2
No of fans	2	2	2
Motor power	1 x 250 W	2 x 100 W	2 x 100 W
Air flow (max. power) ¹	750 m ³ /h	450 m ³ /h	550 m ³ /h
No of speeds	3	3	3
Noise level (max. power) ²	70 dB(A)	68 dB(A)	67 dB(A)
Controls	electronic dimmer	slider	electronic dimmer
Filters	1 metal K7	1 metal K7	2 x metal K7
Washable filters	Yes	Yes	Yes
Check valve	Yes	Yes	Yes
Lighting	2 x 20 W halogen	2 x 20 W halogen	2 x 20 W halogen
Body	Stainless steel	Coated sheet/stainless steel	
EXTRACTION MODE			
Extraction/recirculation	E / R	E / R	E / R
Air outlet Ø	123 mm	123 mm	123 mm
Charcoal filter	Standard	Standard	Standard
CONNECTION/DIMENSIONS			
Total power	240 V	240 V	240 V
230 V + T	10 A	10 A	10 A
Packaged/unpackaged weight (kg)	7 / 8	7 / 8	9 / 10
Overall dimensions (HWD) (cm)	27,5 x 52 x 28,5	18,1 x 52 x 28,5	18,1 x 70 x 28,5
Dimensions emballées (HLP)	23,5 x 56,5 x 34	23,5 x 56,5 x 34	23,5 x 76,5 x 34
EAN CODES			
	PN 801 636 184 7699 RB 801 636 184 7682 IN 801 636 184 7675	PN 801 636 184 8337 RB 801 636 184 8351 IN 801 636 184 8344	IN 801 636 176 2381
ACCESSORIES			
Charcoal filter	FCH 280	FCH 210	FCH 280

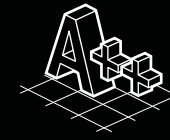
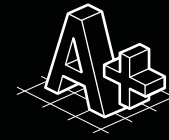
¹ Selon norme EN 61591

² Complies with EN 60704 -2-13 and EN 60704-3 standards

All of our hoods come with a cord and two-prong plug.



Refrigeration



A+ / A++ CLASS

Offering A+ and A++ energy classes (20% and 40% respective energy savings compared to the same class A refrigerator), our appliances blend performance with environmentally friendly qualities.

AIR CONTROL PURIFICATION SYSTEM

The new Air Control fan is located in the centre of the refrigerator's ceiling and ensures optimal cold circulation.

It guarantees better air circulation and even temperature distribution inside the refrigerator.



LED LIGHTING

New LED interior lighting provides perfect visibility inside the refrigerator, all while reducing energy consumption.

LED lights consume 50-75% less energy than classic bulbs and have a lifespan of up to four times greater.

SAFETY GLASS SHELVES WITH METAL ACCENT

Safety glass shelves provide perfect stability for products inside the fridge and are extremely shock- and scratch-resistant. Easily cleaned, they are removable and height-adjustable.

The majority of Rosières refrigerators come with shelves with metal accents for high-end style.



Refrigeration

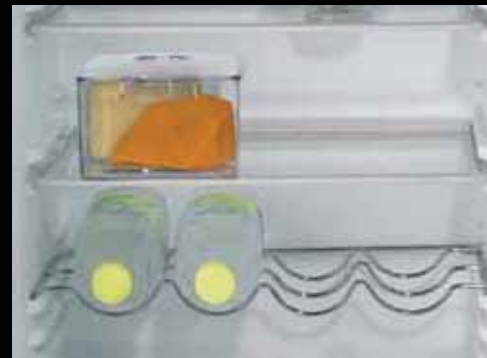


DELI COMPARTMENT

A specially designed compartment with a temperature between 0-3 °C to extend the shelf life of your fresh meat and fish.

MULTIPURPOSE COMPARTMENT

To store your cheeses and separate odours, the Rosières multipurpose compartment is the ideal solution. Practical, it can be used in the microwave as well as dishwasher.



BOTTLE RACK

You'll no longer be looking for space for your bottles with this metal bottle rack, which can slide in under a shelf.



CARAMEL TULES WITH PINK DRAGEES AN EXCLUSIVE LENOTRE RECIPE FOR ROSIÈRES. PREPARED IN THE RFA77FIN PRODIGE OVEN.

Makes 16 tuiles. Prep time: 20 minutes/Cooking time: 6-8 minutes

40 g butter

50 g icing sugar

10 g T55 French flour

50 g ground almonds

20 g orange juice and the zest of 1 orange

26 g pink dragees

Melt the butter and let cool. Add the icing sugar, flour, and almonds into a bowl and mix. Pour in the cooled melted butter and mix. Add the orange juice, sugar, and orange zest, then mix. Crush the pink dragees. Spread the tuile mixture thinly over your anti-stick Teflon baking tray. Sprinkle the mixture with the pink dragees and bake in your Prodigé oven at 180 °C for 6-8 minutes.





RBCPP 3184
Integrated A++ Fridge Freezer - 4* - 263 litres

- Reversible doors
- Slide-mount panel
- **Class A++**

Refrigerator

- Net volume: 203 litres
- **New AirControl air-cooling system**
- **0 °C+3 °C deli compartment**
- **LED lights**
- Automatic de-icing
- Safety glass shelves
- **Multipurpose compartment**
- **Metal bottle rack**

4* Freezer

- Net volume: 60 litres
- Rising time: 16 hrs.
- Freezing rate: 3 kg/24 hrs.
- 3 transparent drawers
- Quick freeze function
- **Air ou**

Product no	Colour
RBCPP 3184	White



Cut-out (mm):
H 1772/1776 x W 560 x D 550



RBCPP 3184



RBDP 2653
Double porte ntégrabl e - 4* - 260 litres

- Reversible doors
- Slide-mount panel
- **Class A+**

Refrigerator

- Net volume: 204 litres
- Automatic de-icing
- Safety glass shelves
- **Multipurpose compartment**
- **Metal bottle rack**

4* Freezer

- Net volume: 56 litres
- Rising time: 13 hrs.
- Freezing rate: 3 kg/24 hrs.

Product no	Colour
RBDP 2653	White



Cut-out (mm):
H 1584/1588 x W 560 x D 550

RBDP 2653



RBCP 3183/1
Integrated A+ Fridge Freezer - 4* - 263 litres

- Reversible doors
- Slide-mount panel
- **Class A+**

Refrigerator

- Net volume: 203 litres
- **New Air Control air-cooling system**
- **0 °C+3 °C deli compartment**
- **LED lights**
- Automatic de-icing
- Safety glass shelves
- **Multipurpose compartment**
- **Metal bottle rack**

4* Freezer

- Net volume: 60 litres
- Rising time: 16 hrs.
- Freezing rate: 3 kg/24 hrs.
- 3 transparent drawers
- Quick freeze function

Product no	Colour
RBCP 3183/1	White



Cut-out (mm):
H 1772/1776 x W 560 x D 550

RBCP 3183/1



RBDP 2353/1
Integrated Double-Door Fridge - 4* - 215 litres

- Reversible doors
- Slide-mount panel
- **Class A+**

Refrigerator

- Net volume: 179 litres
- Automatic de-icing
- Safety glass shelves
- **Multipurpose compartment**

4* Freezer

- Net volume: 36 litres
- Rising time: 13 hrs.
- Freezing rate: 2 kg/24 hrs.

Product no	Colour
RBDP 2353/1	White



Cut-out (mm):
H 1444/1448 x W 560 x D 550

RBDP 2353/1

RBOP 3683



RBOP 3683

Integrated Single-Door Fridge - 4* - 294 litres

- Reversible door
- Slide-mount panel
- Class A+

Refrigerator

- Net volume: 254 litres
- Automatic de-icing
- Fan-forced air cooling system
- 0 °C+3 °C deli compartment
- Safety glass shelves
- Multipurpose compartment
- Metal bottle rack

4* Freezer

- Net volume: 40 litres
- Rising time: 20 hrs.
- Freezing rate: 2 kg/24 hrs.

Product no	Colour
RBOP 3683	White



energy class

Cut-out (mm):
H 1772/1776 x W 560 x D 550



RBOP 244



RBOP 244

Integrated Single-Door Fridge Freezer A+ - 4* - 200 litres

- Reversible door
- Slide-mount panel
- Class A+

Refrigerator

- Net volume: 182 litres
- Automatic de-icing
- Safety glass shelves
- Multipurpose compartment
- Metal bottle rack

4* Freezer

- Net volume: 18 litres
- Rising time: 10 hrs.
- Freezing rate: 2 kg/24 hrs.

Product no	Colour
RBOP 244	White



energy class

Cut-out (mm):
H 1225/1227 x W 560 x D 550

RBLP 230



RBLP 230

Integrated Single-Door Freezerless Fridge A+ - 215 litres

- Reversible door
- Slide-mount panel
- Class A+
- Automatic de-icing
- Safety glass shelves
- Multipurpose compartment
- Metal bottle rack

Product no	Colour
RBLP 230	White



energy class

Cut-out (mm):
H 1225/1227 x W 560 x D 550

RBOP 174



RBOP 174

Integrated Single-Door Fridge - 4* - 123 litres

- Reversible door
- Slide-mount panel
- **Class A+**

Refrigerator

- Net volume: 106 litres
- Automatic de-icing
- 1 safety glass shelf

4* Freezer

- Net volume: 17 litres
- Rising time: 10 hrs.
- Freezing rate: 2 kg/24 hrs.

Product no	Colour
RBOP 174	White



energy class

Cut-out (mm):
H 870/874 x W 560 x D 550

RBP 164



RBP 164

Integrated Single-Door Built-under Fridge - 4* - 117 litres

- Reversible door
- Pantograph-mount panel
- **Class A+**

Refrigerator

- Net volume: 100 litres
- Automatic de-icing
- 1 safety glass shelf
- 1 vegetable crisper
- 1 transparent vegetable crisper

4* Freezer

- Net volume: 17 litres
- Rising time: 10 hrs.
- Freezing rate: 2 kg/24 hrs.

Product no	Colour
RBP 164	White



energy class

Cut-out (mm):
H 820/870 x W 600 x D 550

RBP 160



RBP 160

Integrated Single-Door Built-under Freezerless Fridge - 133 litres

- Reversible door
- Pantograph-mount panel
- **Class A+**
- Automatic de-icing
- 2 safety glass shelves
- 1 vegetable crisper

Product no	Colour
RBP 160	White



energy class

Cut-out (mm):
H 820/870 x W 600 x D 550

RBLP 170



RBLP 170

Integrated Single-Door Freezerless Fridge 138 litres

- Reversible door
- Slide-mount panel
- **Class A+**
- Automatic de-icing
- 2 safety glass shelves

Product no	Colour
RBLP 170	White



energy class

Cut-out (mm):
H 872/880 x W 560 x D 550

RBFP 135



RBFP 135

Integrated Built-under Freezer - 4* - 97 litres

- Reversible door
- Pantograph-mount panel
- **Class A+**
- 3 drawers
- Rising time: 12 hrs.
- Freezing rate: 6 kg/24 hrs.
- 3 indicator lights: ON/OFF, alarm, quick freeze
- Quick freeze function

Product no	Colour
RBFP 135	White



energy class

Cut-out (mm):
H 820/870 x W 600 x D 550



© chymcat - Fotolia.com



RCVB 110 T

RCVB 110 T
Built-under wine refrigerator

- Wine cooler
- Temperature range from 4–18 °C
- Triple ventilation
- Even humidity and temperature on all levels
- Double glass doors
- **2 compartments with independently-controlled temperatures**
- 2 digital screens
- **Capacity: 24 bottles**
- **Double doors**
- Solid glass double doors
- Stainless steel door frame and handle
- **Unfinished wood shelves**
- **Blue LED interior light**
- Total net volume: 110 litres
- Height-adjustable feet

Product no	Colour
RCVB 110 T	Stainless steel

Cut-out (mm):
H 820/890 x W 610 x D 553

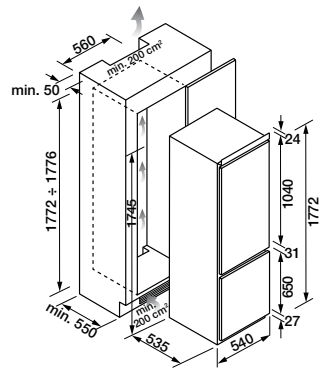


refrigeration

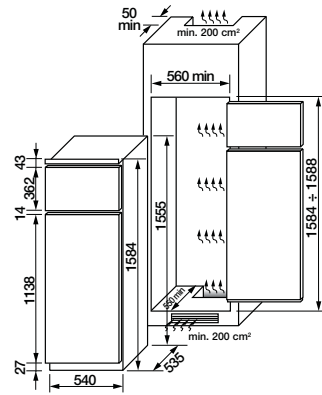
refrigeration

Integrated refrigerators

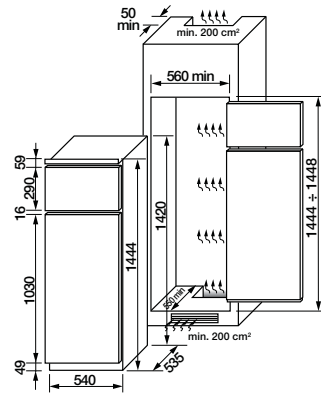
RBCPP 3184 / 3183/1



RBDP 2653

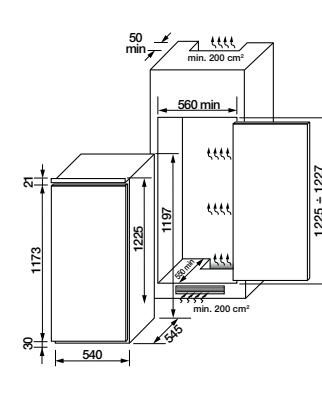


RBDP2353/1

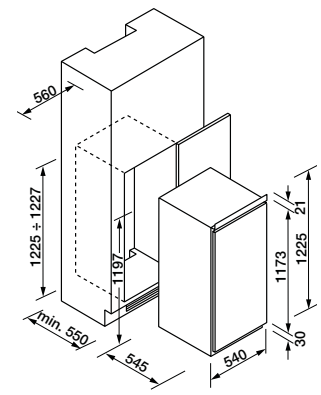


Integrated refrigerators

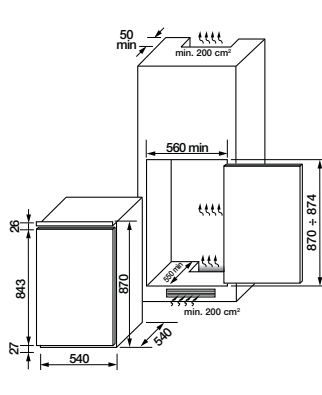
RBOP 244



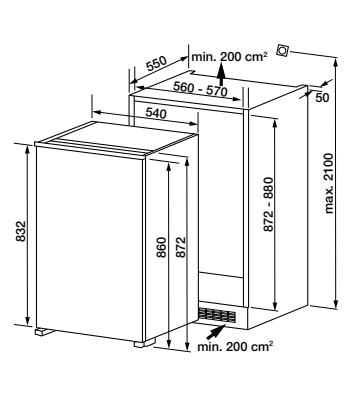
RBLP 230



RBOP 174



RBLP 170

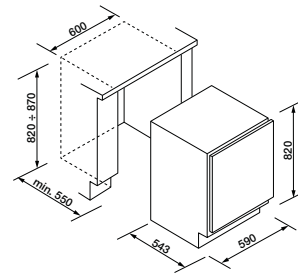


Product numbers	RBCPP 3184	RBCP 3183/1	RBDP 2653	RBDP2353/1
Model	Combiné	Combiné	2 portes	2 portes
SPECIFICATIONS				
Cut-out height (cm)	177,6	177,6	158,8	144,8
Total net capacity	263	263	260	215
No of motors	1	1	1	1
Cooling technology	AirControl cooling system	Cooling system	Static	Static
Mounting system	Slide	Slide	Slide	Slide
Reversible door(s)	x	x	x	x
REFRIGERATOR				
Net capacity	203	203	204	179
Metal bottle rack	x	x	x	
0 °C+3°C deli compartment	x	x		
Multipurpose compartment	x	x	x	x
Shelves (excluding vegetable crisper)	3 safety glass	3 safety glass	4 safety glass	3 safety glass
Bins	4	4	4	3
Transparent vegetable crisper	1	1	1	1
De-icing	Automatic	Automatic	Automatic	Automatic
FREEZER				
Net capacity	60	60	56	36
Freezing rate (kg/24 hrs.)	3	3	3	2
Rising time (hours)	16	16	13	13
Quick freeze	x	x		
Transparent drawers	3	3		
Wire rack			1	
Close indicator light				x
De-icing	Manuel	Manuel	Manuel	Manuel
PERFORMANCE				
Energy class	A++	A+	A+	A+
Consumption (kW/24 hrs./year)	0,61 / 222	0,78 / 283	0,77 / 279	0,72 / 260
Noise level	43 dB	43 dB	40 dB	40 dB
Climate class	ST	ST	ST	T
Gas type	R600	R600	R600	R600
DIMENSIONS				
Unpackaged H x W x D (cm)	177 x 54 x 53,5	177 x 54 x 53,5	158 x 54 x 54	144,4 x 54 x 53
Packaged H x W x D (cm)	182 x 59 x 60	182 x 59 x 60	163 x 60 x 60	149 x 59,2 x 64,2
Packaged/unpackaged weight (kg)	58 / 62	58 / 62	50 / 53	50 / 53
EAN Codes	8016361849648	801 636 185 2310	801 636 184 1857	801 636 186 1169

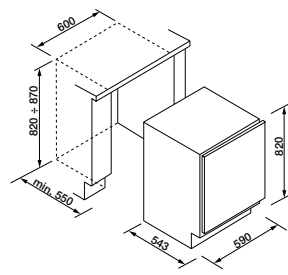
Product numbers	RBOP 3683	RBOP 244	RBLP 230	RBOP 174	RBLP 170
Model	1-door	1-door	1-door	1-door	1-door
SPECIFICATIONS					
Cut-out height (cm)	177,6	122,5	122,5	87,4	88
Total net capacity	294	200	215	123	138
No of motors	1	1	1	1	1
Cooling technology	Cooling system	Static	Static	Static	Static
Mounting system	Slide	Slide	Slide	Slide	Slide
Reversible door(s)	x	x	x	x	x
REFRIGERATOR					
Net capacity	254	182	215	106	138
Metal bottle rack	x	Clayette	Clayette		
0 °C+3°C deli compartment	x				
Multipurpose compartment	x	x	x		
Shelves (excluding vegetable crisper)	4 safety glass	3 safety glass	4 safety glass	1 safety glass	2 safety glass
Bins	6	4	4	2	2
Transparent vegetable crisper	1	2	2	2	2
De-icing	Automatic	Automatic	Automatic	Automatic	Automatic
FREEZER					
Net capacity	40	18		17	
Freezing rate (kg/24 hrs.)	2	2		2	
Rising time (hrs.)	20	10		10	
Close indicator light		x			
De-icing	Manuel	Manuel		Manuel	
PERFORMANCE					
Energy class	A+	A+	A+	A+	A+
Consumption (kW/24 hrs./year)	0,79 / 286	0,636 / 232	0,373 / 136	0,540 / 197	0,346 / 126
Noise level	43 dB	43 dB	43 dB	43 dB	43 dB
Climate class	ST	N-ST	N-ST	N-ST	N-ST
Gas type	R600	R600	R600	R600	R600
DIMENSIONS					
Unpackaged H x W x D (cm)	177,2 x 54 x 53,5	122 x 54 x 54,5	122 x 54 x 54,5	87,2 x 54 x 54,5	87,2 x 54 x 54,5
Packaged H x W x D (cm)	182 x 59 x 60	127 x 57,8 x 59,8	127 x 57,8 x 59,8	94 x 58 x 60	94 x 58 x 60
Packaged/unpackaged weight (kg)	58 / 64	40 / 43,5	40 / 43,5	35 / 38	35 / 38
EAN Codes	801 636 184 2045	801 636 180 9925	801 636 183 8482	801 636 183 8475	801 636 183 8468

Built-under freezers

RBP 164 / RBP 160



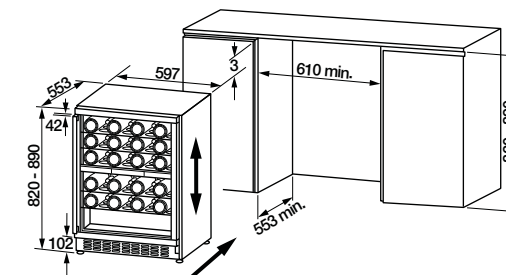
RBFP 135



Product numbers	RBP 164	RBP 160	RBFP 135
Model	built-under	built-under	built-under
SPECIFICATIONS			
Cut-out height (cm)	82	82	82
Total net capacity	117	133	97
No of motors	1	1	1
Cooling technology	Static	Static	Static
Mounting system	Pantograph bracket	Pantograph bracket	Pantograph bracket
Reversible door(s)	x	x	x
REFRIGERATOR			
Net capacity	100	133	
Metal bottle rack			
0 °C+3°C deli compartment			
Multipurpose compartment			
Shelves (excluding vegetable crisper)	1 safety glass	2 safety glass	
Bins	2	2	
Vegetable crisper(s)	1	1	
De-icing	Automatic	Automatic	
FREEZER			
	4*		4*
Net capacity	17		97
Freezing rate (kg/24 hrs.)	2		6
Rising time (hours)	10		12
Close indicator light			x
De-icing	Manual		Manual
PERFORMANCE			
Energy class	A+	A+	A+
Consumption (kW/24 hrs./year)	0,505 / 184	0,336 / 123	0,528 / 193
Noise level	43 dB	43 dB	43 dB
Climate class	N/ST	N/ST	N/ST
Gas type	R600	R600	R600
DIMENSIONS			
Unpackaged H x W x D (cm)	82 x 59 x 54,3	82 x 59 x 54,3	82 x 59 x 54,3
Packaged H x W x D (cm)	89 x 63 x 57,5	89 x 63 x 57,5	89 x 63 x 57,5
Packaged/unpackaged weight (kg)	33 / 38	40 / 45	40 / 45
EAN Codes			
Unpackaged H x W x D (cm)	177 x 54 x 53,5	177 x 54 x 53,5	158 x 54 x 54
Packaged H x W x D (cm)	182 x 59 x 60	182 x 59 x 60	163 x 60 x 60
Packaged/unpackaged weight (kg)	58 / 62	58 / 62	50 / 53
EAN Codes	8016361849648	801 636 185 2310	801 636 184 1857

Wine refrigerator

RCVB 110 T



Product numbers	RCVB 110 T
Exterior style	Stainless steel
Opening	Double door
Door	Solid double glass door, stainless frame
Handle	Metal
MAIN SPECIFICATIONS	
Total net capacity	110
Storage capacity	24 bottles
Function	Cooler
Other information	
Temperature range	4 à 18°C
Cooling	Static
Pad	Double LCD screen, LED lighting
ACCESSORIES	
Shelf type	Unfinished wood
No of shelves	4
Bottle compartments	2
PERFORMANCE	
Energy class	G
Consumption (kW/24 hrs./year)	1,19 / 434
Noise level	63 dB
Climate class	N(16-32°C)
TECHNICAL SPECIFICATIONS	
Gas type	R600
Adjustable feet	2
Reversible door	no
DIMENSIONS	
Height (cm)	82 / 89
Width (cm)	59,7
Depth (cm)	55,3
Packaged height (cm)	85
Packaged width (cm)	63,7
Packaged depth (cm)	64
Unpackaged weight (kg)	40,8
Net packaged weight (kg)	44,07
EAN	801 636 183 3449
Packaged H x W x D (cm)	182 x 59 x 60
Packaged/unpackaged weight (kg)	58 / 62
Codes EAN	8016361849648



Dishwashers

THIRD 3D RACK

Rosières' innovative third 3D rack gives you complete flexibility when arranging your coffee cups, wooden spoons, or other utensils. Its large handle gives you a better grip and symbols tell you where to place your utensils.



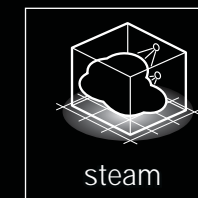
COMFORT UPPER BASKET

Thanks to Rosières' innovative easy-click system, you can adjust the height of the upper rack, even when loaded, with a simple click, and thus fill the lower rack effortlessly with large plates or dishes.



EXTRA-FLEXIBLE LOWER RACK

Thanks to its fold-down tines and tall height, the extra-flexible lower basket (al posto di rack) optimises space to fit your pots and largest dishes.



STEAM PROGRAM

The steam program offers exceptional wash results thanks to the use of high-temperature steam:

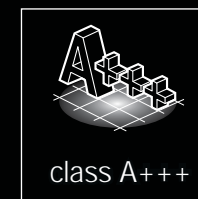
- cycle to dampen and remove food,
- and during the rinse cycle to sanitize cutlery.

No more need to pre-rinse your dishes!

CLASS A+ AND A+++

All 60 cm Rosières dishwashers are energy class A+ (10% energy savings compared to an A class dishwasher) thanks to a high-performance motor and modified washing parameters. Rosières went above and beyond, and in 2013 began offering an A+++ energy class dishwasher.

The customer thus saves 30% energy on every wash compared to a class A dishwasher. This feat has been achieved thanks to the addition of a **Turbodry fan**, which allows for energy to be saved during the second hot rinse cycle, and an active dry cycle.



EXCLUSIVE: STAINLESS STEEL INTERIOR

More stylish, and especially higher quality, the stainless steel interior of Rosières dishwashers facilitates upkeep and prevents rust deposits.

Dishwashers

PRO

100% VERSATILE PROGRAMS

Thanks to PRO technology, Rosières dishwashers manage temperature, pressure, water volume, and wash time thanks to 12 specific programs:

- **75 °C INTENSIVE PROGRAM** : This innovative program removes 99.9% of bacteria thanks to a record temperature of 75 °C combined with optimal pressure and wash time. It is ideal, for example, for baby bottles.
- **Steam**: The ideal program to eliminate bacteria and for your children's' dishes.
- **Chef**: A high temperature for a quick cycle and a large number of dishes after dinner with your near and dear.
- **Universal/Family/Daily**: Three classic cycles for everyday needs.
- **Night**: Take advantage of low pressure, which will offer silence and convenience for any moment of the day.
- **Crystal**: Take care of your most delicate dishes thanks to low temperature and water pressure.
- **29 minute Quick Wash**: The ideal wash for when time counts.

RECORD CONSUMPTION

A record performance for the market. As water is a precious resource and the Candy Hoover Group is committed to protecting the environment, Rosières dishwashers offer an exceptional performance in terms of water consumption.

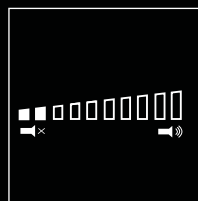


15 PLACE SETTINGS

The 15 place setting integrated dishwasher line lets you wash 173 pieces of tableware: that's 33 pieces more compared to a standard dishwasher. The advantages are many: you can load the dishwasher more quickly, arrange larger dishes more easily, special support for large utensils, and a large-capacity rack ideal for casseroles and large pots.

42 DB ULTRA-QUIET

Thanks to their high-tech design and optimised water circulation, Rosières dishwashers are some of the quietest on the market. Thus, your dishwasher can operate in total silence even during quiet times.



ADJUSTABLE FEET, UP TO 90 CM

Rosières dishwashers are always up to standard, thanks to three adjustable feet (two in the front, one in the back). The back foot can be adjusted easily thanks to a mechanism at the front of the machine.



FENNEL-BAKED POLLACK

Serves 4
4 Pollock filets
4 bulbs fennel
20 fennel seeds
1 small bunch dill

8 tablespoons glutinous rice
4 tablespoons olive oil
Salt, pepper

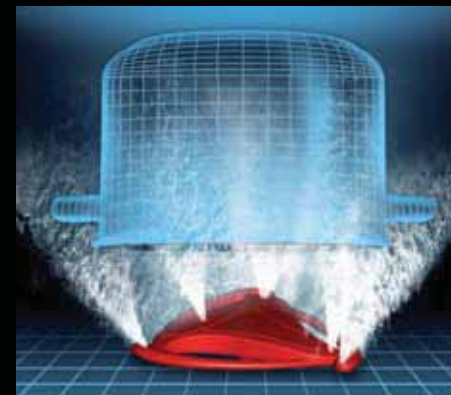
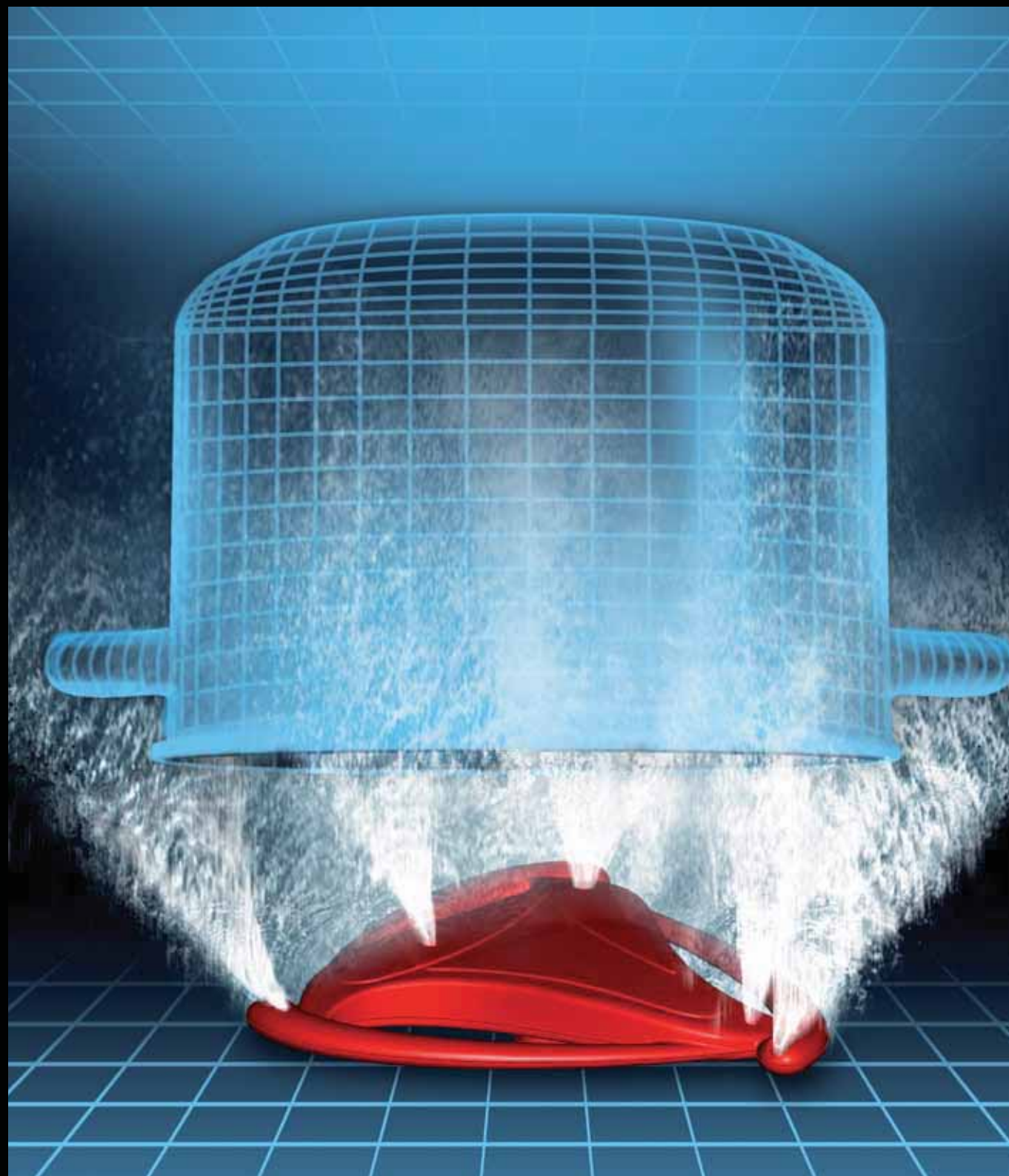
Preheat the oven to 180°C.

- Start by soaking the glutinous rice.
- Cut the fennel into thin slices width-wise, perpendicular to the fibres. Save the ends of the bulbs or chop a small bunch of dill.
- Cover an oven tray with aluminium foil. Create 4 large papillotes that are open on top. Place a filet of Pollock, one tablespoon of olive oil, some fennel slices, and fennel seeds in each. Sprinkle with dill, salt, and pepper. Cover each papillote with a sheet of aluminium foil. Press the edges tightly to create a sealed cover that is easy to remove without tearing the paper.
- Bake for 20-30 minutes. Check the progress by opening a papillote.
- Drain the rice before cooking it.

POWER WASH

4 times more efficient

Thanks to a third spray arm, the Powerwash arm, up to 4 times more water will come into contact with your dishes compared to with a standard dishwasher.



INTENSE WASH

SPECIALLY DESIGNED FOR BAKED-ON FOOD

Say goodbye to spending time pre-rinsing your gratin dishes or dirty plates by hand.

Powerwash technology ensures perfect cleaning results thanks to its third spray arm, whose targeted action works directly on baked-on food.



SEPARATE THIRD SPRAY ARM

FOR EXTRA POWER.

Powerwash technology stands out because of its unique separate third spray arm. The arm is not connected to the lower spray arm, but is attached separately.

Wash frequency is thus considerably increased and the pressure of each spray arm remains the same thanks to separate water circuits.



6 ULTRA-POWERFUL WATER JETS

FOR A DEEP 360° CLEAN

The third spray arm uses 6 water jets: 3 vertical and 3 horizontal, to get the nooks and crannies of your dishes perfectly clean.

Its separate water circuits also ensure the optimal pressure for your dishes. Efficiency guaranteed!



To find out more about Powerwash, scan the QR code.

RLF 634



RLF 634

Fully integrated dishwasher A+++, digital, powerwash

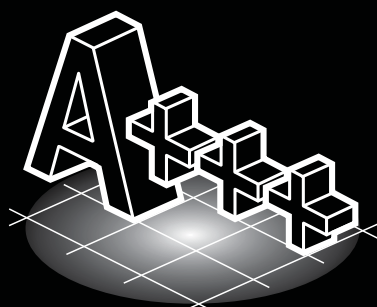
- Capacity: 15 place settings
- Third Powerwash spray arm
- Steam program
- Energy class: A+++/A
- Noise level: 44 dB(A)
- Electronic programmer with digital display
- 12 programs - 7 temperatures:
Steam 75 °C, Chef 65 °C, Universal 60 °C, Normal 55 °C, Eco 45 °C, Crystal 45 °C, 29' Quick 50 °C, 5' Rinse
- 4 Powerwash programs:
Heavy Duty 75 °C, Family 70 °C, Eco Plus 55 °C, 59' Optimal 65 °C
- Smart Sensor
- Water consumption: 10 L
- Delayed start: 1-23 hrs.
- Automatic variable load
- Special «5 in 1 Tablet» Functions
- EASY top rack: adjustable height, even when loaded
- Adjustable feet, up to 90 cm
- Condensation drying

Cut-out (mm):
H 820/885 x W 600 x D 570

Product no	Colour
RLF 634	-



COLLECTION PRIVILEGE



RLF 911D



RLF 911D

Fully integrated dishwasher A+, digital, third rack

- Capacity: 15 place settings
- Third rack
- Energy class: A+/A
- Ultra-quiet: 42 dB(A)
- 12 programs - 7 temperatures:
Steam 75 °C, Heavy Duty 75 °C, Family 70 °C, Chef 65 °C, 59' Optimal 65 °C, Universal 60 °C, Daily 55 °C, Eco Plus 55 °C, Eco 45 °C, Crystal 45 °C, 29' Quick 50 °C, 5' Rinse
- Smart Sensor
- Water consumption: 10 L
- Delayed start: 1-23 hrs.
- Automatic variable load
- Special "Heavy Grime" Function
- EASY top rack: adjustable height, even when loaded
- Adjustable feet, up to 90 cm
- Condensation drying

Cut-out (mm):
H 820/885 x W 600 x D 570

Product no	Colour
RLF 911D	-



COLLECTION PRIVILEGE

RLF 912 E



RLF 912 E

Fully integrated dishwasher A+, third rack

- Capacity: 15 place settings
- Third rack
- Energy class: A+/A
- Noise level: 42 dB(A)
- 5 programs - 4 temperatures:
Heavy Duty 75 °C, Universal 60 °C, Eco bio 45 °C, 29' Quick 50 °C, Soak
- Water consumption: 10 L
- Delayed start: 3/6/9 hrs.
- Special "Heavy Grime" Function
- EASY top rack: adjustable height, even when loaded
- Adjustable feet, up to 90 cm
- Condensation drying

Cut-out (mm):
H 820/885 x W 600 x D 570

Product no	Colour
RLF 912 E	-



COLLECTION PRIVILEGE



RLF 416 D

RLF 416 D

fully integrated dishwasher A+, powerwash, digital control pad

- Capacity: **15 place settings**
- Energy class: A+/A
- **Noise level: 44 dB(A)**
- Electronic programmer with digital display (program, wash time, delayed start)
- **12 programs - 7 temperatures:**
Steam 75 °C, Chef 65 °C, Universal 60 °C, Normal 55 °C, Eco 45 °C, Crystal 45°C, 29' Quick 50 °C, 5' Rinse
- **4 Powerwash programs:**
Heavy Duty 75 °C, Family 70 °C, Eco Plus 55 °C, 59' Optimal 65 °C
- **Smart Sensor**
- Water consumption: 10 L
- **Delayed start: 1-23 hrs.**
- Half-load quick program
- Special "Heavy Grime" Functions
- EASY top rack: adjustable height, even when loaded
- **Adjustable feet, up to 90 cm**
- Condensation drying

Product no	Colour
RLF 416D	-

Cut-out (mm):
H 820/885 x W 600 x D 570



COLLECTION
PRIVILEGE



RLF 416 D

RLF 315 E

Fully integrated dishwasher A+, LED control pad

- Capacity: **15 place settings**
- Energy class: A+/A
- **Noise level: 46 dB(A)**
- Electronic programmer with LED display (program, delayed start)
- **5 programs - 4 temperatures:**
Heavy Duty 75 °C, Universal 60 °C, Eco bio 45 °C, 29' Quick 50 °C, Soak
- Water consumption: **10 L**
- **Delayed start: 3/6/9 hrs.**
- Special "Heavy Grime" Functions
- EASY top rack: adjustable height, even when loaded
- **Adjustable feet, up to 90 cm**
- **Stainless steel interior**
- Condensation drying

Product no	Colour
RLF 315 E	-

Cut-out (mm):
H 820/885 x W 600 x D 570



washing

RLF 915E



RLF 915E

Fully integrated dishwasher a+, third rack

- Capacity: **15 place settings**
- **Third rack**
- Energy class A+/A
- **Noise level: 46 dB(A)**
- Electronic programmer with digital display
- **5 programs - 4 temperatures:**
Heavy Duty 75 °C, Universal 60 °C, Eco bio 45 °C, 29' Quick 50 °C, Soak
- Water consumption: **10 L**
- **Delayed start: 3/6/9 hrs.**
- **Automatic variable load**
- **Adjustable feet, up to 90cm**
- **Stainless steel interior**
- Condensation drying

Product no	Colour
RLF 915E	-

Cut-out (mm):
H 820/885 x W 600 x D 570



15 place settings



third rack



class A+



10 litres



COLLECTION
PRIVILEGE



RLS 4813/E



RLS 4813/E

45 cm fully integrated dishwasher, 10 place settings, A

- **Space saver**
- Capacity: **10 place settings**
- Energy class: A/A
- Noise level: 48 dB(A)
- **6 programs - 3 temperatures: Heavy Duty 70 °C, Universal 55 °C, Eco 45 °C, 1 hour 70 °C, Quick 50 °C, Delicate 45 °C, Soak**
- Water consumption: 12 L
- Delayed start: 23 hrs.
- Wash time display/salt indicator light
- Adjustable upper rack
- Fold-down tines on lower rack
- **Adjustable feet, up to 90 cm**
- Condensation drying

Product no	Colour
RLS 4813/E	-

Cut-out (mm):
H 820 x W 450 x D 570



10 place settings

washing

washing

RLI 911 DIN



RLI 911 DIN

Fully integrated dishwasher A+, third rack, digital control pad

- Capacity: **15 place settings**
- **Third rack**
- Energy class **A+/A**
- **Ultra-quiet 42 dB(A)**
- Electronic programmer with digital display
- **12 programs - 7 temperatures:**
Steam 75 °C, Heavy Duty 75 °C, Family 70 °C, Chef 65 °C, 59' Optimal 65 °C, Universal 60 °C, Daily 55 °C, Eco Plus 55 °C, Eco 45 °C, Crystal 45 °C, 29' Quick 50 °C, 5' Rinse
- **Smart Sensor**
- Water consumption: 10 L
- **Delayed start: 1-23 hrs.**
- **Automatic variable load**
- Special "5 in 1 Tablet" and "Heavy Grime" Functions
- EASY top rack: adjustable height, even when loaded
- **Adjustable feet, up to 90cm**
- **Stainless steel interior**
- Condensation drying

Product no	Colour
RLI 911 DIN	Stainless steel

Cut-out (mm):
H 820/885 x W 600 x D 570



COLLECTION PRIVILEGE

RLI 416 DIN



RLI 416 D

Integrated dishwasher, A+, powerwash, digital electronics

- Capacity: **15 place settings**
- Energy class **A+/A**
- Noise level: **44 dB(A)**
- Electronic programmer with digital display
- **12 programs - 7 temperatures:**
Steam 75 °C, Chef 65 °C, Universal 60 °C, Daily 55 °C, Eco 45 °C, Crystal 45 °C, 29' Quick 50 °C, 5' Rinse
- **4 Powerwash programs:**
Heavy Duty 75 °C, Family 70 °C, Eco Plus 55 °C, 59' Optimal 65 °C
- Water consumption: 10 L
- **Delayed start: 1-23 hrs.**
- **Automatic variable load**
- Special "5 in 1 Tablet" and "Heavy Grime" Functions
- EASY top rack: adjustable height, even when loaded
- **Adjustable feet, up to 90cm**
- **Stainless steel interior**
- Condensation drying

Product no	Colour
RLI 416 DPN	Black pearl
RLI 416 DRB	White rose
RLI 416 DIN	Stainless steel

Cut-out (mm):
H 820/885 x W 600 x D 570



COLLECTION PRIVILEGE

RLI 912 EIN



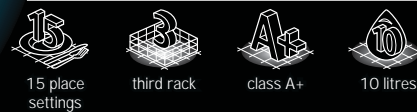
RLI 912 E

Fully integrated dishwasher A+, third rack, LED control pad

- Capacity: **15 place settings**
- **Third rack**
- Energy class **A+/A**
- **Ultra-quiet 42 dB(A)**
- Electronic programmer with LED display
- **7 programs - 5 temperatures:**
Heavy Duty 75 °C, Universal 60 °C, Delicate 45 °C, Eco bio 45 °C, 59' Optimal 65 °C, 29' Quick 50 °C, Soak
- Water consumption: 10 L
- **Delayed start: 1-12 hrs.**
- Half load upper and lower baskets
- Special "Heavy Grime" Function
- EASY top rack: adjustable height, even when loaded
- **Adjustable feet, up to 90cm**
- **Stainless steel interior**
- Condensation drying

Product no	Colour
RLI 912 EIN	Stainless steel
RLI 912 EPN	Black pearl
RLI 912 ERB	White rose

Cut-out (mm):
H 820/885 x W 600 x D 570



COLLECTION PRIVILEGE

RLI 315 E

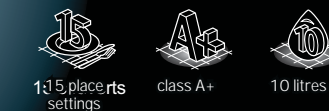


RLI 315 E

Fully integrated dishwasher, A+, LED control pad

- Capacity: 15 place settings
- Energy class **A+/A**
- Noise level: **46 dB(A)**
- Electronic programmer with LED display
- **7 programs - 5 temperatures:**
Heavy Duty 75 °C, Universal 60 °C, Delicate 45 °C, Eco bio 45 °C, 59' Optimal 65 °C, 29' Quick 50 °C, Soak
- Water consumption: 10 L
- **Delayed start: 1-12 hrs.**
- Half load upper and lower baskets
- Special "Heavy Grime" Function
- EASY top rack: adjustable height, even when loaded
- Adjustable feet, up to 90 cm
- **Stainless steel interior**
- Condensation drying

Product no	Colour
RLI 315 EPN	Black pearl
RLI 315 EIN	Stainless steel



Cut-out (mm):
H 820/885 x W 600 x D 570

washing

washing

pose libre

Washing machines



8 KG

Rosières' new 8 kg washer range features a large drum in a classic-sized machine. With its 56 litre volume, you can wash up to 8 kg of laundry without harming garments. Your wash will thus be better agitated and less wrinkled.



A+ class

A + A

Rosières' washer range falls under the A+A class, which allows for a high wash and dry performance while saving energy. Rosières is committed to helping the environment.

ELECTRIC DRYING

For perfectly dried clothes, the RILS14853 is equipped with a humidity sensor to deliver the results you expect. Whether extra dry for linens or iron dry for blouses, the RILS14853 offers precision drying while protecting fabrics.

KG MODE

Allows for water to be measured automatically based on the quantity of clothing inserted, leading to energy savings and an optimal cycle length to save time.

CARE PLUS

Specially designed for delicate and sensitive skin as well as for children's clothing, the new CARE PLUS program guarantees a perfect rinse. This result is made possible thanks to the addition of extra water during the wash cycle, and 5 rinses with spins in between.



CRADLE WASH

This setting is available for the wool and hand wash programs. It mimics the movements of your hands in the washer drum to deeply and delicately clean your clothes.

CHOICE OF WASH TIME AND DELAYED START

The DIGITAL programmer lets you select a program and know its total duration, as well as to change it with the touch of a button.

Furthermore, for better ease of use, the Wash Time program lets you view how much time is left to a wash or dry cycle thanks to a lit display.

QUICK 30 AND 44 MINUTES

Ideal for urgent loads, the Quick 30 and 44 Minutes can wash up to 4 kg of lightly soiled clothing in a complete wash cycle.



RILL 1482DN1-S



RILL 1482DN1-S

8 kg integrated washing machine, digital

- Front-load, 35 cm ø window
- New: ergonomic handle
- Wash capacity: 8 kg/Variable spin speed: 1400 rotations/min
- Electronic programmer with digital display of wash time
- 15 programs
- Energy class A+/A
- Cradle Wash Technology for wool and delicate programs
- Sport/30' Quick/44' Quick programs
- Delayed start: 0-23 hrs.
- Automatic variable capacity
- Adjustable thermostat

Product no	Colour
RILL 1482DN1-S	White



classe
énergétique

Cut-out (mm): H 825 x W 600 x D 570

RILS 14853DN-S



RILS 14853DN-S

8 + 5 kg integrated washer/dryer, digital

- Front-load, 30 cm ø window with ergonomic handle
- New: ergonomic handle
- Wash capacity: 8 kg/dry capacity: 5 kg
- Variable spin speed: 1400 rotations/min
- Electronic programmer with digital display of wash time
- 15 programs including wool and delicate
- Energy class AAA
- Cradle Wash Technology for wool and delicate programs
- Sport/14' Quick/30' Quick/44' Quick programs
- Kg Mode
- Delayed start: 0-23 hrs.
- Automatic variable capacity

Product no	Colour
RILS 14853DN-S	White



washing drying energy class

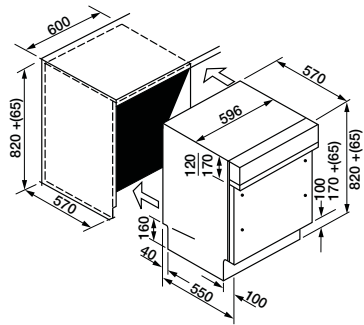
Cut-out (mm): H 825 x W 600 x D 570

washing

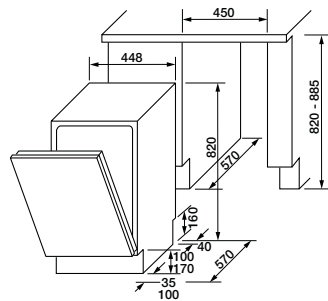
washing

integrated dishwashers

RLF 634 / RLF 911 D
RLF 912 E / RLF 416 D
RLF 315 E / RLF 915 E



RLS 4813/E



Product numbers	RLF 634	RLF 911 D	RLF 912 E
Model	Fully integrated	Fully integrated	Fully integrated
Colour			
SPECIFICATIONS			
No of place settings	15	15	15
Noise level dB(A)	44	42	42
Display	digital	digital	Led
Wash phase display	digital	digital	
Programmer	electronic	electronic	electronic
Delayed start	up to 23 hrs.	up to 23 hrs.	3/6/9 hrs.
Smart Sensor System	3 programs	3 programs	
Temperatures (°C)	45,50,55,65,70,75	45,50,55,65,70,75	40,50,55,65,70,75
Drying type	condensation	condensation	condensation
Heating Element	outside tub	outside tub	outside tub
Height-adjustable feet	3	3	3
Self-cleaning filter	Stainless steel	Stainless steel	Stainless steel
Adjustable water softener	7 settings	7 settings	7 settings
CONSUMPTION			
Energy label*	A+++/A	A+/A	A+/A
Annual water consump. (L) recommended prog.**	2800	2800	2800
Annual energy consump. (KWh) recommended prog.**	299	299	299
OVERFLOW PROTECTION			
Aquaprotect			
Watercontrol	x	x	x
Total Watercontrol			
PROGRAMS			
Heavy Duty 75 °C	x	x	x
Steam 75 °C	x	x	
Chef 65 °C	x	x	
Smart Sensor Universal 55/65 °C	x	x	
Smart Sensor Family 65/75 °C	x	x	
Smart Sensor Daily 45/55 °C	x	x	
Universal 60 °C			x
Family 75 °C			
Daily 55 °C			
Eco 45 °C	x	x	Eco-bio 45°C
Night 55 °C	x	x	
Crystal 45 °C	x	x	
Delicate 45 °C			
29' Quick 50 °C	x	x	x
59' Optimal 65 °C	x	x	
Soak	x	x	x
Variable load	automatic	automatic	
Standard program	Eco 45°C	Eco 45°C	Eco 45°C
Duration of standard cycle	140 min	140 min	140 min
BUTTONS			
On/Off	x	x	x
Programs	x	x	x
Delayed start	1-23 hrs.	1-23 hrs.	3/6/9 hrs.
Half load	automatic	automatic	
Heavy Grime			x
5-in-1 Tablets	x	x	x
INDICATOR LIGHTS			
On/Off	x	x	x
Program status	x	x	x
Delayed start	x	x	x
Heavy Grime			x
5-in-1 Tablets	x	x	x
Salt	x	x	x
Rinse Agent	x	x	x
RACKS			
Third rack		Third rack	Third rack
Adjustable top rack	Easy	Easy	Easy
No tines on bottom rack	x	x	x
Removable silverware basket with handle	x	x	x
Third spray arm POWERWASH	POWERWASH		
Connection 230V single-phase + Earth - 16 A/DIMENSIONS			
Hot water connection possible	x	x	x
Max. power (W)	2150	2150	2150
Water pipe (cm)	150	150	150
Outlet pipe (cm)	160	160	160
Delivery pipe (cm)	160	160	160
Packaged/unpackaged weight	40/43	40/43	40/43
Packaged dim. H x W x D (cm)	90 x 67 x 65	90 x 67 x 65	90 x 67 x 65
Unpackaged dim. H x W x D (cm)	82/89 x 59,6 x 55	82/89 x 59,6 x 55	82/89 x 59,6 x 55
Cut-out dim. H x W x D (cm)	82/90 x 60 x 57	82/90 x 60 x 57	82/90 x 60 x 57
EAN Codes	8.016.361.867.772	8.016.361.867.857	8.016.361.867.789

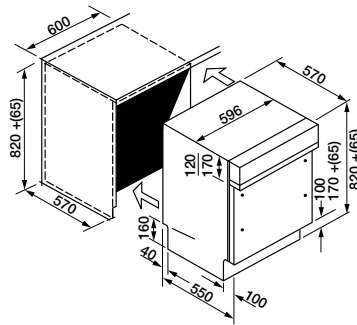
* Standard cycle (EN S0242)
** Estimated yearly consumption for 280 washes for a family of 4

Product numbers	RLF 416 D	RLF 315 E	RLF 915 E
Model	Fully integrated	Fully integrated	Fully integrated
Colour			
SPECIFICATIONS			
No of place settings	15	15	15
Noise level dB(A)	44	46	46
Display	digital	Leds	Leds
Wash phase display	digital		
Programmer	electronic	electronic	electronic
Delayed start	jusqu'à 23h	3/6/9h	3/6/9h
Smart Sensor System	3 programs		
Temperatures (°C)	45,50,55,65,70,75	40,50,55,65,70,75	40,50,55,65,70,75
Drying type	condensation	condensation	condensation
Heating Element	outside tub	outside tub	outside tub
Height-adjustable feet	3	3	3
Self-cleaning filter	Stainless steel	Stainless steel	Stainless steel
Adjustable water softener	7 settings	7 settings	7 settings
CONSUMPTION			
Energy label*	A+/A	A+/A	A+/A
Annual water consump. (L) recommended prog.**	2800	2800	2800
Annual energy consump. (KWh) recommended prog.**	299	299	299
OVERFLOW PROTECTION			
Aquaprotect			
Watercontrol	x	x	x
Total Watercontrol			
PROGRAMS			
Heavy Duty 75 °C	x	x	x
Steam 75 °C	x		
Chef 65 °C	x		
Smart Sensor Universal 55/65 °C	x		
Smart Sensor Family 65/75 °C	x		
Smart Sensor Daily 45/55 °C	x		
Universal 60 °C		x	x
Family 75 °C			
Daily 55 °C			
Eco 45 °C	x	Eco-bio 45°C	Eco-bio 45°C
Night 55 °C	x		
Crystal 45 °C	x		
Delicate 45 °C			
29' Quick 50 °C	x	x	x
59' Optimal 65 °C	x		
Soak	x	x	x
Variable load	automatic		
Standard program	Eco 45°C	Eco 45°C	Eco 45°C
Duration of standard cycle	140 min	140 min	140 min
BUTTONS			
On/Off	x	x	x
Programs	x	x	x
Delayed start	1-23 hrs.	3/6/9 hrs.	3/6/9 hrs.
Half load	automatic		
Heavy Grime		x	x
5-in-1 Tablets	x	x	x
INDICATOR LIGHTS			
On/Off	x	x	x
Program status	x	x	x
Delayed start	x	x	x
Heavy Grime		x	x
5-in-1 Tablets	x	x	x
Salt	x	x	x
Rinse Agent	x	x	x
RACKS			
Third rack			Third rack
Adjustable top rack	Easy	Easy	Easy
No tines on bottom rack	x	x	x
Removable silverware basket with handle	x	x	x
Third spray arm POWERWASH	POWERWASH		
Connection 230V single-phase + Earth - 16 A/DIMENSIONS			
Hot water connection possible	x	x	x
Max. power (W)	2150	2150	2150
Water pipe (cm)	150	150	150
Outlet pipe (cm)	160	160	160
Delivery pipe (cm)	160	160	160
Packaged/unpackaged weight	40/43	40/43	40/43
Packaged dim. H x W x D (cm)	90 x 67 x 65	90 x 67 x 65	90 x 67 x 65
Unpackaged dim. H x W x D (cm)	82/89 x 59,6 x 55	82/89 x 59,6 x 55	82/89 x 59,6 x 55
Cut-out dim. H x W x D (cm)	82/90 x 60 x 57	82/90 x 60 x 57	82/90 x 60 x 57
EAN Codes	8.016.361.867.765	8.016.361.867.741	8.016.361.867.758

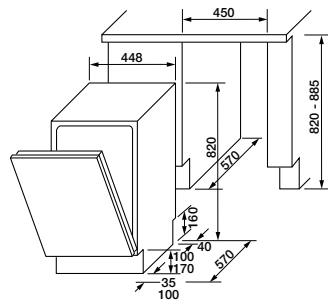
* Standard cycle (EN S0242)
** Estimated yearly consumption for 280 washes for a family of 4

integrated dishwashers

RLI 911 D / RLI 912 E
RLI 416 D / RLI 315 E



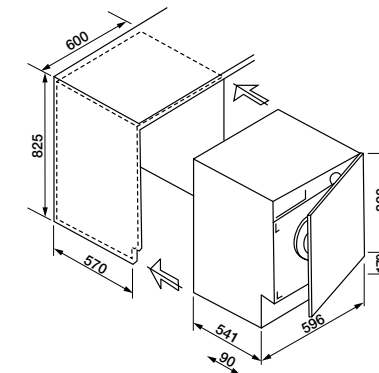
RLS 4813/E



Product nos.	RLI 911 D	RLI 912 E	RLI 416 D	RLI 315 E	RLS 4813/E
Model	Panel	Panel	Panel	Panel	Fully integrated
Colour	IN	IN / PN / RB	IN / PN / RB	IN / PN	
SPECIFICATIONS					
Number of place settings	15	15	15	15	10
Noise level dB(A)	42	42	44	46	48
Display	digital	Led	digital	Led	Led
Wash phase display	digital		digital		
Programmer	electronic	electronic	electronic	electronic	electronic
Delayed start	up to 23 hrs.	up to 12 hrs.	up to 23 hrs.	up to 12 hrs.	up to 23 hrs.
Smart Sensor System	3 programs		3 programs		
Temperatures (°C)	40,50,55,65,70,75	45,50,55,65,70,75	40,50,55,65,70,75	40,50,65,70,75	45,50,70
Drying type	condensation	condensation	condensation	condensation	condensation
Heating Element	outside tub	outside tub	outside tub	outside tub	outside tub
Adjustable feet	3	3	3	3	4
Self-cleaning filter	Stainless steel	Stainless steel	Stainless steel	Stainless steel	Stainless steel
Adjustable water softener	7 settings	7 settings	7 settings	5 settings	5 settings
CONSUMPTION					
Energie label*	A+/A	A+/A	A+/A	A+/A	A/A
Annual water consump. (L) recommended prog.**	2800	2800	2800	2800	3360
Annual energy consump. (KWh) recommended prog.**	299	299	299	299	265
OVERFLOW PROTECTION					
Aquaprotect				x	
Watercontrol	x	x	x	x	x
Total Watercontrol	x		x		x
PROGRAMS					
Heavy Duty 75 °C	x	x	x	x	x
Steam 75 °C	x		x		
Chef 65 °C	x		x		
Smart Sensor Universal 55/65 °C	x		x		
Smart Sensor Family 65/75 °C	x		x		
Smart Sensor Daily 45/55 °C	x		x		
Universal 60 °C		x		x	x
Family 75 °C					
Daily 55 °C					
Eco 45 °C	x	x	x	x	x
Night 55 °C	x		x		
Crystal 45 °C	x		x		
Delicate 45 °C		x		x	x
29' Quick 50 °C	x	x	x	x	
59' Optimal 65 °C	x	x	x	x	x
Soak	x	x	x	x	x
Variable load	automatic		automatic	Half load	
Standard program	Eco 45°C	Eco 45°C	Eco 45°C	Eco 45°C	Eco 45°C
Duration of standard cycle	140 min	140 min	140 min	140 min	140 min
BUTTONS					
On/Off	x	x	x	x	x
Programs	x	x	x	x	x
Delayed start	1-23 hrs.	1-12 hrs.	1-23 hrs.	1-12 hrs.	1-23 hrs.
Half load	automatic		automatic	x	
Heavy Grime		x			
5-in-1 Tablets	x	x	x		
INDICATOR LIGHTS					
On/Off	x	x	x	x	x
Program status	x	x	x	x	
Delayed start	x	x	x		
Heavy Grime		x			
5-in-1 Tablets	x	x	x		
Salt	x	x	x	x	x
Rinse Agent	x	x	x	x	x
RACKS					
Third rack	Third rack	Third rack			
Adjustable top rack	Easy	Easy	Easy	Easy	réglable
No tines on bottom rack	x	x	x	x	
Removable silverware basket with handle	x	x	x	x	x
Third spray arm POWERWASH			POWERWASH		
Connection 230V single-phase + Earth - 16 A/DIMENSIONS					
Hot water connection possible	x	x	x	x	x
Max. power [W]	2150	2150	2150	2150	2150
Water pipe [cm]	150	150	150	150	150
Outlet pipe [cm]	160	160	160	160	160
Delivery pipe [cm]	160	160	160	160	160
Packaged/unpackaged weight	40/43	40/43	39/42	39/42	31,9/37
Packaged dim. H x W x D [cm]	90 x 67 x 65	90 x 67 x 65	97,5 x 66 x 67,5	97,5 x 66 x 67,5	88,5 x 63 x 48,5
Unpackaged dim. H x W x D [cm]	82/89 x 59,6 x 55	82/89 x 59,6 x 55	82/89 x 59,6 x 55	82/89 x 59,6 x 55	82/87,5 x 44,8 x 57
Cut-out dim. H x W x D [cm]	82/90 x 60 x 57	82/90 x 60 x 57	82/90 x 60 x 57	82/90 x 60 x 57	82/88,5 x 45 x 57
EAN Codes	8.016.361.867.857	IN 801 636 186 7826 PN 801 636 186 7833	IN 801 636 186 7871 PN 801 636 186 7888	IN 801 636 186 7802 PN 801 636 186 7819	801 636 184 3707

washing machine & washer/dryer

RILL 1482 DN1-S
RILS 14853 DN-S



Product nos.	RILL 1482 DN1-S	RILS 14853 DN-S
Model	Integrated	Integrated
Colours	White	White
SPECIFICATIONS		
Spin capacity (kg)	8	8
Spin capacity (kg)		5
Spin speed (rotations/min)	up to 1 400	up to 1 400
Programmer	Electronic, digital display	Electronic, digital display
Automatic variable capacity	x	x
Adjustable thermostat	x	x
Automatic variable capacity	x	x
Drum volume (L)	56 L	56 L
Tub	silitech	silitech
Hinges	left	left
Delayed start	0-23 hrs.	0-23 hrs.
CONSUMPTION		
Energy class	A+	A
Wash efficiency	A	A
Spin efficiency	A	A
Water consumption (L)5	-	115
Energy consumption (KWh)	-	1,36
Annual energy consumption (KWh)**	252	-
Annual water consumption (L)**	10500	-
Wash cycle noise level in dB(A)	-	-
Spin cycle noise level in dB(A)	80	-
Average wash time for 60 °C cotton	120	120
SAFETY		
Overflow protection	x	x
Flood protection	x	x
Heat detector	x	x
Suds control	x	x
Balance control	x	x
PROGRAMS		
Deeply soiled	90 / 60 / 40°C	90 / 60 / 40°C
40 °C AA	40°C	40°C
Mixed and synthetics	50°C	40 / 50°C
Delicates	40°C	40°C
Rinse	x	x
Spin	x	x
Drain	x	x
Cotton dry		x
Mixed dry		x
Wool program	x	x
Hand wash		30°C
Care program		30°C
Sport program	30°C	30°C
A 59'	60°C	60°C
44' Express 40° C	40°C	40°C
30' Express 40° C	40°C	40°C
BUTTONS		
Door opening	x	
On/Off	x	x
Delayed start	x	x
Pre-wash	x	x
Super rinse x	x	
Press	x	x
INDICATOR LIGHTS		
On/Off	x	x
Drying		x
Delayed start	0-23h	0-23h
Door lock	x	x
Cycle time	15 / 30 / 60 / >60 min	15 / 30 / 60 / >60 min
CONNECTIONS/DIMENSIONS		
Max. Power	2150 W	2150 W
Connection	Mono 230V + T - 10 A	Mono 230V + T - 10 A
Packaged/unpackaged weight (kg)	71 / 73	72 / 74
Packaged H x W x D [cm]		
Unpackaged H x W x D [cm]	82 x 59,6 x 54	82 x 59,6 x 54
Cut-out H x W x D [cm]	82,5 x 60 x 57	82,5 x 60 x 57
EAN Codes	8016361867185	8016361866997

* Standard cycle (EN S0242)
** Estimated yearly consumption for 280 washes for a family of 4



RCP 12 IN

Freestanding

This year, Rosières is offering modern and authentic looks. The Bocuse range cooker features a new Prodiges style. Let yourself be seduced by its contemporary design and clean lines. Rosières is offering the exclusive new 60 cm Bocuse cookers, which can be fitted into all kitchens.

Through a wide range of style, technology, and size choices, your cooker will fit perfectly into the heart of your kitchen.



Bocuse cooker

Today, the Bocuse is offered in 2 styles. A piece of professional equipment that can adapt to any type of kitchen.

- **Tradis:** An increasingly elegant style, Rosières has revived the charm of this Paul Bocuse-approved culinary space, with new finely crafted oven doors, stylised storage drawers, and redesigned cast iron pan stands.

- **Prodige:** for anyone who wishes to blend culinary tradition and modernity, the Prodige Bocuse will draw you in with its clean lines, luxurious handles, and large windows. Contemporary design at the service of culinary expertise.



Two ovens for perfect cooking:

Multifunction pyrolytic oven: thanks to the fan-assisted heat of this multifunction oven, it will ensure that your dishes cook evenly, without flavour mixing. This oven is perfect for fish, white meats, baked goods, soufflés, and more.

Natural convection catalytic oven: this oven is ideal for red meats, roasted game, and all old-fashioned cooking.



A coup de feu hob plate has four cooking functions:

- 1 - The large 4500 W gas burner with thermocouple can be used uncovered for traditional cooking.
- 2 - The coup de feu hob guarantees a decreasing temperature of 400 °C (for cooking on high heat) in the middle and up to 100 °C toward the outside for easy simmering.
- 3 - The coup de feu hob can be replaced by a cast iron grill for quick and healthy cooking.
- 4 - The wok support can be removed to begin cooking new dishes.



The professional space

Paul Bocuse



RCP 12 IN

RCP 12 IN Prodige Bocuse Cooker

Top left

- 4500 W coup de feu plate
Professional model in polished iron: can be replaced by 1 cast iron mesh meat grill that comes standard with cooker, or can be used for traditional cooking (gas burner and wok support)
- Integrated spark-type electronic ignition
- Flame failure device

Top right

- 4 gas burners
- Integrated spark-type electronic ignition
- Fully integrated spark plugs
- Enamelled cast iron burner caps
- High-low control gas valves
- Two-piece removable cast iron grates
- Flame failure device

Left oven

multifunction electric

- Pyrolytic cleaning
- 120 min. circuit-breaker timer
- Oven lighting
- Oven volume: 48 litres
- Storage drawer
- Energy class B
- Pyrodon®

Right oven

natural electric convention

- Catalytic cleaning
- 120 min. circuit-breaker timer
- Oven lighting
- Oven volume: 50 litres
- Storage drawer
- Energy class C

Product no	Colour
RCP 12 PN	Black stainless steel
RCP 12 IN	Stainless steel

COLLECTION PRIVILEGE



RCP 12 PN

Paul Bocuse

RBC 127/1 Tradis Bocuse Cooker



RBC 127 RIN/1

Top left

- 4500 W coup de feu plate
professional-type in polished iron: can be replaced by 1 mesh meat grill that comes standard with cooker, or can be used for traditional cooking (gas burner and wok support)
- Integrated spark-type electronic ignition
- Flame failure device

Top right

- 4 gas burners
- Integrated spark-type electronic ignition
- Fully integrated spark plugs
- Enamelled cast iron burner caps
- High-low control gas valves
- Two-piece removable cast iron grates
- Flame failure device

Left oven

multifunction electric

- Pyrolytic cleaning
- 120 min. circuit-breaker timer
- Oven lighting
- Oven volume: 48 litres
- Storage drawer
- Energy class B
- Pyrodon®

Right oven

natural electric convention

- Catalytic cleaning
- 120 min. circuit-breaker timer
- Oven lighting
- Oven volume: 50 litres
- Storage drawer
- Energy class C

Product no	Colour
RBC 127 RU/1	Black stainless steel
RBC 127 RIN/1	Stainless steel

COLLECTION PRIVILEGE



RBC 127 RU /1

The professional space



Dimensions (mm): W 117 x H 65

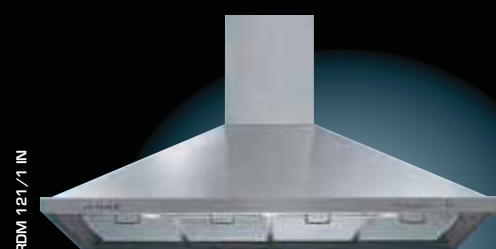
PM 117 Range cooker with spl ashback and hood

- This set-up, which matches Bocuse stainless steel cookers, harmonises with your professional workspace. It protects the wall against which the Bocuse cooker is installed.

Product no	Colour
PM 117 IN	Stainless steel



RCP 12 PN



Dimensions (mm): W 1198 x D 500 x H 850/1100

RDM 121/1 120 cm chimney hood

- 1 195 W dual-fan motor
- Extraction rate³ (boosted power): 530 m³/h
- Noise level² (boosted power): 64 dB(A)
- Extraction rate¹ (max. power): 460 m³/h
- Noise level² (max. power): 60 dB(A)
- Slim electronic controls
- 4 speeds
- 4 dishwasher-safe metal grease filters
- 3 20 W halogen lights
- Filter saturation indicator light
- Check valve
- Air outlet¹ ø: 150 mm

Product no	Colour
RDM 121/1 IN	Stainless steel

Optional:	
2 x FCH 520	Charcoal filters



Dimensions (mm): W 1200 x D 485 x H 665/995

RMB 1285 IN 120 cm slim box chimney hood

- 1 250 W dual-fan motor
- Extraction rate¹ (boosted power): 861 m³/h
- Noise level² (boosted power): 71 dB(A)
- Extraction rate¹ (max. power): 794 m³/h
- Noise level² (max. power): 69 dB(A)
- Slim electronic controls
- 4 speeds
- 3 dishwasher-safe metal grease filters
- 2 20 W halogen lights
- Filter saturation indicator light
- Check valve
- Air outlet¹ ø: 150 mm

Product no	Colour
RMB 1285 IN	Stainless steel

RMB 1285 PN	Black pearl
-------------	-------------

Optional:	
2 x FCH 628	Charcoal filters

¹ Complies with EN 61591 standard

² Complies with EN 60704 -2-13 and EN 60704-3 standards

60 cm Bocuse cookers

Rosières created the standard-width Bocuse concept to be fitted into all kitchens. Inspired by the Bocuse range cooker, Rosières has developed 60 cm Paul Bocuse cookers. Professional equipment available to everyone.

PAUL BOCUSE-APPROVED

Since 1985, Paul Bocuse and Rosières have been combining passion and know-how. Together, they have created professional equipment made for true foodies. Between tradition and modernity, Rosières' new 60 cm Bocuse cooker is an invitation to awaken the senses of all those who are passionate about cuisine.



Paul Bocuse

A CONTEMPORARY AND PROFESSIONAL DESIGN

This Paul Bocuse cooker flaunts clean and elegant lines.

Crafted from high-quality materials, the 60 cm Bocuse cooker is trimmed with elegant knobs and handles, as well as a large oven window to maximise the view of your dishes.

This piece of equipment, a true professional tool, does not forget about important details: cast iron pan stands and burners, a stainless steel backguard, and a large storage drawer.

Anti-fingerprint stainless steel: The stainless steel outer surface is always impeccable thanks to a special treatment.

CULINARY CREATION HONOURED

This cooker is equipped with a combination hob. It has 3 gas burners, including one 3500 W ultrafast burner and a 2000 W electric burner.

The multifunction oven offers 7 cooking modes including Lower Heat with Fan, Natural Convection, Fan-assisted, Grill, Turbogril, or even a Pizza Function.

With pyrolytic cleaning, you are guaranteed that the entire oven is cleaned automatically through high temperatures.

60 cm Bocuse cookers



RBP 60 IN

Paul Bocuse

RBP 60 IN

Paul Bocuse Combination 3 + 1 Multifunction Pyrolytic Cooker

Prodige-style

- Combination 3 + 1 hob
- Stainless steel backguard
- 3 gas burners, including 1 ultrafast 3500 W burner
- 1 auto protection elec. plate
- Integrated electronic ignition
- **Flame failure device**
- Ultra-flat cast iron pan stands

Multifunction electric pyrolytic oven

- 120 min. timer
- Roasting jack
- **Can be easily fitted between 2 other kitchen fixtures**
- Solid glass inner door
- Extra-large storage drawer

Product no	Colour
RBP 60 IN	Stainless steel
RBP 60 PNX	Black stainless steel
RBP 60 RBX	White stainless steel



RBP 60 PNX



RBP 60 RBX



cool door



made in Rosières

COLLECTION PRIVILEGE



RBT 60 IN

Paul Bocuse

RBT 60 IN

Paul Bocuse Combination 3 + 1 Multifunction Pyrolytic Cooker

Tradis-style

Combination 3 + 1 hob

- Stainless steel backguard
- 3 gas burners, including 1 ultrafast 3500 W burner
- 1 auto protection elec. plate
- Integrated electronic ignition
- **Flame failure device**
- Ultra-flat cast iron pan stands

Multifunction electric pyrolytic oven

- 120 min. timer
- Roasting jack
- **Can be easily fitted between 2 other kitchen fixtures**
- Solid glass inner door
- Extra-large storage drawer

Product no	Colour
RBT 60 IN	Stainless steel



cool door



made in Rosières

COLLECTION PRIVILEGE

RCM 7992 RU

Tradis Combination 3 + 1 Multifunction Pyrolytic Cooker



RCM 7992 RU

Combination 3 + 1 hob

- 3 gas burners, including 1 ultrafast 3500 W
- 1 Mijorose® burner
- 1 auto protection elec. plate
- Integrated electronic ignition
- **Flame failure device**
- Steel pan stands

Multifunction electric pyrolytic oven

- Roasting jack
- **Can be easily fitted between 2 other kitchen fixtures**
- Polished brass knobs and handles
- Enamelled steel cover
- Extra-large storage drawer

Product no	Colour
RCM 7992 RU	Anthracite

COLLECTION PRIVILEGE

PM 60

Range cooker with splashback and hood

- This set-up, which matches 60 cm cookers, harmonises with your professional workspace. It thus lets you create a unique workspace and protect walls from splashes.

Product no	Colour
PM 60 IN	Stainless steel

Dimensions (mm): W 600 x H 650



Prodige 3-in-1

Ideal for young couples, second homes, and small spaces, Rosières presents a 3-in-1 product that answers all of your needs.

A TRUE COOKER:

Le Triple offers a wide choice of 4-burner cookers, including gas, combination, or ceramic glass.

For convenient use, the control panel has been redesigned to be even more ergonomic. A flame failure device provides a safety guarantee for your gas or combination hob.



A TRUE 39 LITRE MULTIFUNCTION OVEN:

Your class A multifunction oven offers convenient use and can handle oval dishes up to 42 cm in diameter.

A 120-minute circuit breaker provides safety and helps to cook your dishes perfectly.

In white or stainless steel finishes with an optional PRODIGE metal handle, its mirror door will add an even nicer touch to your kitchen.



A TRUE 6 PLACE SETTING DISHWASHER:

This Class AAA 6 place setting dishwasher will let you get your dishes to an optimal clean thanks to the combination of 4 temperature selections and 5 programs, including a 32' Quick program. Its low water consumption of only 8 litres will also provide real savings.

Prodige 3-in-1



TRV 60 IN

TRV 60 IN

Cooker with ceramic glass top

- Coup de feu ceramic glass hob
- 1 highlight zone, including 1 super 2300 W zone
- 4 residual heat indicators
- 39 litre oven
- AAA 6 place setting dishwasher
- Can be easily fitted between 2 other kitchen fixtures

Product no	Colour
TRV 60 RB	White rose
TRV 60 IN	Stainless steel



TRV 60 RB



made in Rosières

COLLECTION PRIVILEGE

PM 60

Range cooker with splashback and hood

- This set-up, which matches the stainless steel 3-in-1, harmonises with your professional workspace. It thus lets you create a unique workspace and protect walls from splashes.

Product no	Colour
PM 60 IN	Stainless steel

Dimensions (mm): W 600 x H 650



RHP 6700 IN

RHP 6700

60 cm chimney hood

- Coated sheet/stainless steel body
- Extraction rate¹ (boosted power): 705 m³/h
- Noise level² (boosted power): 65 dB(A)
- Extraction rate¹ (max. power): 616 m³/h
- Noise level² (max. power): 61 dB(A)
- 4 push button-controlled speeds
- 2 washable metal grease filters
- 2 20 W halogen lights
- Check valve
- Air outlet¹ ø: 150 mm

Dimensions (mm): W 600 x D 485 x H 707/1039

Product no	Colour
RHP 6700 IN	Stainless steel
RHP 6700 RB	White rose
RHP 6700 PN	Black pearl

Optional:	
FCH 628	Charcoal filter

TRG 60 RB

Gas cooker, 4 burner

- 4 gas burners
- Flame failure device
- Integrated electronic ignition
- High-low control gas valves
- PAN STANDS AND BURNER CAPS
- 39 litre oven
- AAA 6 place setting dishwasher
- Tool-free removable cover
- Can be easily fitted between 2 other kitchen fixtures

Product no	Colour
TRG 60 RB	White rose



made in Rosières



TRG 60 RB

COLLECTION PRIVILEGE

TRM 60 RB

Combination 3 + 1 cooker

- Combination 3 + 1 hob
- Flame failure device
- Integrated electronic ignition
- High-low control gas valves
- PAN STANDS AND BURNER CAPS
- 39 litre oven
- AAA 6 place setting dishwasher
- Tool-free removable cover
- Can be easily fitted between 2 other kitchen fixtures

Product no	Colour
TRM 60 IN	Stainless steel
TRM 60 RB	White rose



TRM 60 RB

COLLECTION PRIVILEGE



TRM 60 IN



made in Rosières



Prodige Cookers

DESIGN

Rosières has done a complete overhaul on its cookers. The entire line has now adopted the Prodigie style, with clean and elegant lines for a much more contemporary look.

Prodige cookers are adorned with luxurious knobs and handles as well as large windows to maximise the view of your dishes. Rosières has not forgotten about the importance of details: matt steel or ultra-flat cast iron, or even metal-finish feet.

Solid anti-fingerprint stainless steel, White Rose, Pure White, with or without metal finishes—you have a number of colour choices. The pure white ceramic glass cooker with its white hob top will draw you in with an appeal rooted firmly in the spirit of the times.



SAFETY AND PRACTICALITY

For the pleasure of cooking in total safety, Rosières equips all of its pyrolytic cookers with a cool door. The door is thus always at a low temperature.

All of our cookers are equipped with flame failure devices. They ensure that a flame is actually present, and they automatically cut the burner valve if it goes out (gust of air, overflowing pots, etc.).

The solid glass inner door is completely smooth, thus allowing for ease of cleaning.

All Rosières cookers are equipped with a large drawer that offers ample storage capacity, particularly for storing accessories.



PERFORMANCE

Double ceramic glass zone: more flexibility for more power. Ceramic glass cookers are equipped with a double cooking zone, offering large flexibility of use.

New Preco Screen: By choosing a cooking function, the programmer automatically suggests a cooking temperature, which the user then has the option to change. Simplified programming.

Mijorose® Burner: thanks to a full cap, it is possible to cook at the lowest simmers with the Mijorose® burner. On low heat, the flames are able to touch the cup, which thus transfers a more delicate and even heat to pots.

60 cm cookers



RVP 6377 RB

RVP 6377 RB

Multifunction Ceramic Glass Prodigie Cooker
Pyrolytic

- Knobs controls
- 3 burners, including
1 28 cm extendible super 2300 W burner
- Residual heat indicators

Multifunction electric pyrolytic oven

- New Preco Screen
- 6 automatic programs
- Suggested temperatures
- Electronically controlled temperature
- Delayed start
- Solid glass inner door
- Roasting jack
- Can be easily fitted between 2 other kitchen fixtures
- Polished brass knobs and handles
- Enamelled steel cover
- Large slide-out storage drawer
- 2 adjustable feet

Product no	Colour
RVP 6377 RB	Pure White



cool door



made in
Rosières



RVP 6378 RB

RVP 6378 RB

Multifunction Ceramic Glass Prodigie Cooker
Pyrolytic

- Knobs controls
- 4 highlight burners, including
1 super 2300 W burner
- Residual heat indicators

Multifunction electric pyrolytic oven

- New Preco Screen
- 6 automatic programs
- Suggested temperatures
- Electronically controlled temperature
- Delayed start
- Solid glass inner door
- Roasting jack
- Can be easily fitted between 2 other kitchen fixtures
- Polished brass knobs and handles
- Enamelled steel cover
- Large slide-out storage drawer
- 2 adjustable feet

Product no	Colour
RVP 6378 RB	Pure White



cool door



made in
Rosières



RVP 6378 PNX

RVP 6378 PNX

Multifunction Ceramic Glass Prodigie Cooker
Pyrolytic

- Knobs controls
- 4 highlight burners, including
1 super 2300 W burner
- Residual heat indicators

Multifunction electric pyrolytic oven

- New Preco Screen
- 6 automatic programs
- Suggested temperatures
- Electronically controlled temperature
- Delayed start
- Solid glass inner door
- Roasting jack
- Can be easily fitted between 2 other kitchen fixtures
- Large slide-out storage drawer
- 2 adjustable feet

Product no	Colour
RVP 6378 PNX	Black stainless steel



cool door



made in
Rosières



RVC 6378 RB

RVC 6378 RB

Multifunction Ceramic Glass Prodigie Cooker
Catalytic

- Knobs controls
- 4 highlight burners, including one extendible burner
- Residual heat indicators

Multifunction electric catalytic oven

- Digital Timer
- Delayed start
- Solid glass inner door
- Roasting jack
- Can be easily fitted between 2 other kitchen fixtures
- Polished brass knobs and handles
- Enamelled steel cover
- Extra-large roll-out storage drawer
- Metal-finish feet and 2 wheels

Product no	Colour
RVC 6378 RB	Pure White



cool door



made in
Rosières



60 cm cookers



RMP 6376 RBX

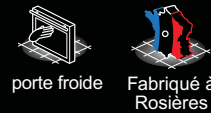
RMP 6376 RBX Prodige 3 + 1 Mul tifunction Cooker Pyrolytic

- 3 gas burners, including
1 ultrafast 3500 W Mijorose® burner
- 1 electric plate
- Ultra-flat cast iron pan stands
- Integrated electronic ignition
- Flame failure device

Multifunction electric pyrolytic oven

- New Preco Screen
- Suggested temperatures
- Electronically controlled temperature
- Delayed start
- Roasting jack
- Can be easily fitted between 2 other kitchen fixtures
- Polished brass knobs and handles
- Enamelled steel cover
- Solid glass inner door
- Large slide-out storage drawer
- 2 adjustable feet

Product no	Colour
RMP 6376 RBX	White rose



porte froide Fabriqué à Rosières

COLLECTION PRIVILEGE



RMP 6376 PNX

RMP 6376 PNX Prodige Combination Hob Mul tifunction Cooker Pyrolytic

- 3 gas burners, including
1 ultrafast 3500 W Mijorose® burner
- 1 electric plate
- Ultra-flat cast iron pan stands
- Integrated electronic ignition
- Flame failure device

Multifunction electric pyrolytic oven

- New Preco Screen
- Suggested temperatures
- Electronically controlled temperature
- Delayed start
- Roasting jack
- Can be easily fitted between 2 other kitchen fixtures
- Polished brass knobs and handles
- Enamelled steel cover
- Solid glass inner door
- Large slide-out storage drawer
- 2 adjustable feet

Product no	Colour
RMP 6376 PNX	Black stainless steel



cool door made in Rosières

COLLECTION PRIVILEGE



RMC 6322 IN

RMC 6322 IN Prodige Combination 3 + 1 Mul tifunction Catalytic Cooker

- 3 gas burners, including
1 ultrafast 3500 W burner
- Flame failure device
- 1 electric plate Pan stands in ultra-flat cast iron
- Integrated electronic ignition

Multifunction electric catalytic oven

- 90 minute timer
- Solid glass inner door
- Roasting jack
- Can be easily fitted between 2 other kitchen fixtures
- Polished brass knobs and handles
- Removable steel (RB and PNX) or glass (IN) cover
- Extra-large roll-out storage drawer
- Metal-finish feet and 2 wheels

Product no	Colour
RMC 6321 RB	White rose
RMC 6321 PNX	Black pearl
RMC 6322 IN	Stainless steel



RMC 6321 RB

RMC 6321 PNX

COLLECTION PRIVILEGE

60 cm cookers



RGP 6376 RBX

RGP 6376 RBX Prodige Multifunction Pyrolytic Gas Cooker

- 4 gas burners, including
1 ultrafast 3500 W Mijorose® burner
- Flame failure device
- Integrated electronic ignition
- Ultra-flat cast iron pan stands

Multifunction electric pyrolytic oven

- New Preco Screen
- Solid glass inner door
- Roasting jack
- Electric grill
- Can be easily fitted between 2 other kitchen fixtures
- Enamelled steel cover
- Extra-large roll-out storage drawer

Product no	Colour
RGP 6376 RBX	White stainless steel



cool door



made in Rostères



RGC 6111 RB Prodige Natural Convection Gas Cooker Catalytic

- 4 gas burners, including
1 ultrafast 3500 W Mijorose® burner
- Mat steel pan stands
- Integrated electronic ignition
- Flame failure device

Multifunction electric catalytic oven

- 90 min. timer
- Solid glass inner door
- Roasting jack
- Can be easily fitted between 2 other kitchen fixtures
- Enamelled steel cover
- Large slide-out storage drawer
- 2 adjustable metal-finish feet

Product no	Colour
RGC 6111 RB	White rose
RGC 6112 IN	Stainless steel



RGC 6111 RB



RGC 6312 IN Prodige Multifunction Catalytic Gas Cooker

- 4 gas burners, including
1 ultrafast 3500 W Mijorose® burner
- Flame failure device
- Electronic ignition

Multifunction electric catalytic oven

- 90 min. timer
- Solid glass inner door
- Roasting jack
- Electric grill
- Can be easily fitted between 2 other kitchen fixtures
- Steel (RB) or glass (IN) cover
- Extra-large roll-out storage drawer
- Metal-finish feet and 2 wheels

Product no	Colour
RGC 6311 RB	White rose
RGC 6312 IN	Stainless steel



RGC 6312 IN



50 cm cookers



RVC 5318 PN

RVC 5318 PN Multifunction Ceramic Glass Catalytic Cooker

- Knob controls
- 2 1200 W highlight burners
- 2 1800 W highlight burners
- Residual heat indicators

Multifunction electric catalytic oven

- 90 min. timer
- Roasting jack
- Electric grill
- Storage space with door
- 4 adjustable feet

Product no	Colour
RVC 5318 PN	Black pearl



RVC 5318 RB

RVC 5318 RB Multifunction Ceramic Glass Catalytic Cooker

- Knob controls
- 2 1200 W highlight burners
- 2 1800 W highlight burners
- Residual heat indicators

Multifunction electric catalytic oven

- 90 min. timer
- Roasting jack
- Electric grill
- Storage space with door
- 4 adjustable feet

Product no	Colour
RVC 5318 RB	Pure White



RMC 5311 RB

RMC 5311 RB Prodige Combination Multifunction Catalytic Cooker

- 3 gas burners, including 1 quick-heat 2700 W burner
- 1 electric plate
- Flame failure device
- Integrated electronic ignition

Multifunction electric catalytic oven

- 90 min. timer
- Integrated electronic ignition
- Flame failure device
- Roasting jack
- Electric grill
- Metal cover
- Storage space with door
- 4 adjustable metal-finish feet

Product no	Colour
RMC 5311 RB	White rose



Bocuse range cooker

Product numbers	RCP 12		RBC 127/1	
Models	MF Pyro + CN cata		MF Pyro + CN cata	
Colours	IN / PN		IN / PN	
installable	x		x	
HOB	left	droit	left	droit
Front left burner		Quick-heat		Quick-heat
Power (W) - Ø (mm)		3500 - 104		3500 - 104
Rear left burner		Ultrafast		Ultrafast
Power (W) - Ø (mm)		4500 - 85,5		4500 - 85,5
Centre burner	Ultrafast		Ultrafast	
Power (W) - Ø (mm)	4500 - 85,5		4500 - 85,5	
Front right burner		semi-rapid		semi-rapid
Power (W) - Ø (mm)		1450 - 54,5		1450 - 54,5
Rear right burner		Mijorose® rapid		Mijorose® rapid
Power (W) - Ø (mm)		2500 - 83		2500 - 83
Hob ignition	electronic	electronic	electronic	electronic
Flame failure device	x	x	x	x
Pan stands		cast iron		cast iron
Coup de feu plate	x		x	
Meat grill	x		x	
Wok support	x		x	
PROGRAMMING				
Type	120 min. timer	120 min. timer	120 min. timer	120 min. timer
OVEN	electric	electric	electric	electric
Type	multifonction	natural convection	multifonction	natural convection
No of functions	7	3	7	3
Roasting jack	x		x	
Oven power (W)	2350	3000	2350	3000
Grill power (W)	2110	2110	2110	2110
Cleaning	pyrolytic	catalytic	pyrolytic	pyrolytic
Volume	48 L	50 L	48 L	50 L
Lighting	x	x	x	x
CONSUMPTION (KWh)				
At 200 °C	0,5	0,45	0,5	0,45
1 hr. at 200 °C	0,6	0,65	0,6	0,65
Total gas (W)	13400		13400	
Total electric (W)	5350		5350	
Energy class	B	C	B	C
SPECIFICATIONS				
Adjustable feet	5		5	
Backguard	Stainless steel		Stainless steel	
Storage	2 drawers		2 drawers	
Packaged/unpackaged weight	128 / 165		128 / 165	
Overall dimensions H x W x D (mm)	85 (95 with backguard) x 117 x 60		85 (95 with backguard) x 117 x 60	
Connection	230V single-phase + Earth - 25A		230V single-phase + Earth - 25A	
EAN Codes	230V three-phase + Earth - 25A		230V three-phase + Earth - 25A	
	400V three-phase + Neutral + Earth - 16A		400V three-phase + Neutral + Earth - 16A	
Codes EAN	IN 801 663 183 7607 PN 801 663 183 7614		RU/1 801 663 178 3829 RIN/1 801 663 178 3843	

60 cm Bocuse

Tradis

Product numbers	RBP 60		RBT 60		RMP 7992	
Signature	Paul Bocuse		Paul Bocuse			
Style	Prodige		Tradis		Tradis	
Model	MF pyro		MF pyro		MF pyro	
Size	60 x 60		60 x 60		60 x 60	
Colours	IN/ RBX / PNX		IN		IN	
installable	x		x		x	
Adjustable wheels/feet	2 / -		2 / -		2 / -	
Storage	extra-large drawer		extra-large drawer		extra-large drawer	
Backguard	yes		yes		-	
Cover	-		-		enamelled steel	
HOB	combination 3+1		combination 3+1		combination 3+1	
Front left burner	quick-heat gas		quick-heat gas		quick-heat gas	
Power (W) - Ø (mm)	2500		2500		2500	
Rear left burner	electric plate		electric plate		electric plate	
Power (W) - Ø (mm)	2000 - 180		2000 - 180		2000 - 180	
Front right burner	Mijorose® auxiliary gas		Mijorose® auxiliary gas		Mijorose® auxiliary gas	
Power (W) - Ø (mm)	1000		1000		1000	
Rear right burner	ultrafast gas		ultrafast gas		ultrafast gas	
Power (W) - Ø (mm)	3500		3500		3500	
Total gas power	7000 W		7000 W		7000 W	
Total electric power	2000 W		2000 W		2000 W	
Ignition	Integrated electronic		Integrated electronic		Integrated electronic	
Flame failure device	x		x		x	
Pan stands	cast iron		cast iron		enamelled steel	
OVEN	electric		electric		electric	
Type	multifonction		multifonction		multifonction	
Cleaning	pyrolytic		pyrolytic		pyrolytic	
Timer	120 min		120 min		120 min	
Temperature regulation						
No of functions	9		9		7	
Natural convection	x		x		x	
Fan-assisted	x		x		x	
Turbogrill	x		x		x	
Grill	x		x		x	
Roasting jack	x		x		x	
Defrost	x		x		x	
Automatic programs	6		6			
Oven power	2800 W		2800 W		2800 W	
maximum temperature	450°C		450°C		450°C	
Grill	electric		electric		electric	
Grill power	2100 W		2100 W		2150 W	
Cool door	x		x		x	
Inner door	solid glass		solid glass			
Volume	54 L		54 L		48 L	
CONSUMPTION						
At 200 °C	0,4 kWh		0,4 kWh		0,4 kWh	
1 hr. at 200 °C	0,5 kWh		0,5 kWh		0,5 kWh	
Pyrolytic cycle	3 kWh		3 kWh		3 kWh	
Energy class	A		A		A	
ACCESSORIES						
Flat pan stand	2		2		2	
Dripping pan	1		1		1	
Baking tray					1	
Roasting jack	x		x		x	
CONNECTION/DIMENSIONS						
Connection	230V single-phase + Earth - 20 A 230V three-phase + Earth - 16 A 400 V three-phase + Neutral + Earth - 16 A		230V single-phase + Earth - 20 A 230V three-phase + Earth - 16 A 400 V three-phase + Neutral + Earth - 16 A		230V single-phase + Earth - 20 A 230V three-phase + Earth - 16 A 400 V three-phase + Neutral + Earth - 16 A	
Packaged/unpackaged weight (kg)	52 / 55		52 / 55		60 / 62	
Overall dimensions H x W x D (cm)	86,5-87,5 x 60 x 60		86,5-87,5 x 60 x 60		86,5 x 60 x 60	
Packaged dim. H x W x D (cm)	95 x 65 x 65		95 x 65 x 65		95 x 65,5 x 70	
EAN Code	IN 801 636 186 8267 PNX 801 636 186 8274 RBX 801 636 186 8281		IN 801 636 186 8250		RU 801 636 178 8633	

Product numbers	TRG 60	TRM 60	TRV 60
Style	Prodige	Prodige	Prodige
Models	4 gaz	Combination 3 + 1	glass ceramic
Colours	RB	RB / IN	RB / IN
Adjustable feet	x	x	x
Cover	Glass	Glass	
installable	x	x	x
HOB	4 gaz	Combination 3 + 1	4 glass ceramic
Front left burner	quick-heat gas	quick-heat gas	high light
Power (W) – Ø (mm)	2500 – 101	2500 – 101	1800 – 200
Rear left burner	semi-rapid gas	standard electric	highlight
Power (W) – Ø (mm)	1750 - 75	1500 - 180	1200 – 165
Front right burner	Mijorose® auxiliary gas	Mijorose® auxiliary gas	highlight
Power (W) – Ø (mm)	1000 – 63	1000 - 63	1200 – 165
Rear right burner	ultrafast gas	ultrafast gas	highlight
Power (W) – Ø (mm)	3500 – 112	3500 – 112	2300 – 210
Ignition	integrated electronic	integrated electronic	integrated electronic
Residual heat indicators			4
Flame failure device	x	x	
Pan stands	enamelled steel	enamelled steel	
OVEN	electric	electric	electric
Type	multifonction	multifonction	multifonction
Timer	120 min. circuit-breaker	120 min. circuit-breaker	120 min. circuit-breaker
No of functions	4	4	4
Natural convection	x	x	x
Fan-assisted	x	x	x
Grill	x	x	x
Turbogrill	x	x	x
Cleaning	Super smooth enamel	Super smooth enamel	Super smooth enamel
Volume	39 L	39 L	39 L
Int. dimensions (HWD) mm	220 x 440 x 410	220 x 440 x 410	220 x 440 x 410
Lighting	x	x	x
Oven power (W)	2100	2100	2100
Grill power (W)	1600	1600	1600
Pan + deep dish stand	1	1	1
Deep dish	1	1	1
OVEN CONSUMPTION (KWH)			
At 200 °C	0,3	0,3	0,3
1 hr. at 200 °C	0,6	0,6	0,6
Total gas power (W)	8750	7000	
Total electric power (W)	2100	3600	8700
Energy class	A	A	A
DISHWASHER	6 place settings	6 place settings	6 place settings
No of programs	5	5	5
	heavy duty75 °C/universal 65 °C/eco 45 °C 65 °C/eco 45 °C 32' quick 50° C/ pre-wash cold	heavy duty75 °C/universal 65 °C/eco 45 °C 32' quick 50° C/pre-wash cold	heavy duty75 °C/universal 65 °C/eco 45 °C 32' quick 50° C/pre-wash cold
Temperatures	45, 50, 65, 75 °C	45, 50, 65, 75 °C	45, 50, 65, 75 °C
Micro-filters	self-cleaning	self-cleaning	self-cleaning
Interior and inner door	stainless steel 18/10	stainless steel 18/10	stainless steel 18/10
Power	2100 W	2100 W	2100 W
Noise level	52 dB(A)	52 dB(A)	52 dB(A)
Hot water connection	x	x	x
Water consumption (L)	8	8	8
Energy class	AAA	AAA	AAA
BRANCHEMENT / DIMENSIONS			
Connection		230 V single-phase + Earth – 10 A	230 V single-phase + Earth – 25 A
Packaged/unpackaged weight (kg)	65 / 68	65 / 68	65 / 68
Packaged dim. H x W x D (mm)	960 x 660 x 700	960 x 660 x 700	960 x 660 x 700
Unpackaged dim. H x W x D (mm)	865 x 600 x 600	865 x 600 x 600	865 x 600 x 600
EAN Codes	RB 801 636 186 7291	RB 801 636 186 7307 IN 801 636 186 7314	RB 801 636 186 7321 IN 801 636 186 7338

Ceramic glass

Product nos.	RVP 6377	RVP 6378	RVC 6378
Style	Prodige	Prodige	Prodige
Model	MF pyro	MF pyro	MF cata
Size	60 x 60	60 x 60	60 x 60
Colours	RB	RB / PNX	RB
Installable	x	x	x
Adjustable feet/wheels	2 / -	2 / -	2 metal / -
Storage	XL drawer	XL drawer	XL drawer
Cover	-	-	-
HOB	ceramic glass	ceramic glass	ceramic glass
Front left burner	highlight	highlight	highlight
Power (W) – Ø (mm)	1200 - 140	1200 - 160	2300 - 210
Rear left burner	highlight	highlight	highlight
Power (W) – Ø (mm)	2300 - 210	2300 - 220	1200 - 140
Front right burner	highlight	highlight	double highlight
Power (W) – Ø (mm)	1500 / 2400 - 185 / 280	1800 - 190	1700 - 180
Rear right burner		highlight	highlight
Power (W) – Ø (mm)		1200 - 160	1200 - 140
Total electric power	5900 W	6500 W	6400 W
Residual heat indicators	3	4	
OVEN	electric	electric	electric
Type	multifonction	multifonction	multifonction
Cleaning	pyrolytic	pyrolytic	catalyse
Programmer	New Preco	New Preco	Digital timer
Variable recommended temperatures	x	x	-
Temperature regulation	electronic sensor	electronic sensor	thermostat
No of functions	9	9	7
Natural convection	x	x	x
Fan-assisted	x	x	x
Turbogrill	x	x	x
Grill	x	x	x
Roasting jack	x	x	x
Defrost	x	x	x
Automatic programs	6	6	
Oven power	2800 W	2800 W	2000 W
Maximum temperature	450°C	450°C	265°C
Grill	electric	electric	electric
Grill power	2100 W	2100 W	1500 W
Cool door	x	x	
Inner door	solid glass	solid glass	solid glass
Volume	54 L	54 L	52 L
CONSUMPTION			
At 200°C	0,4 kWh	0,4 kWh	0,38 kWh
1 hr. at 200 °C	0,5 kWh	0,5 kWh	0,64 kWh
Pyrolysis cycle	3 kWh	3 kWh	
Energy class	A	A	A
ACCESSORIES			
Flat pan stand	2	2	2
Dripping pan	1	1	2
Roasting jack	x	x	x
CONNECTION/DIMENSIONS			
Connection		230 V single-phase + Earth – 32 A	230 V single-phase + Earth – 25 A
Packaged/unpackaged weight (kg)	230 V three-phase + Earth – 32 A	230 V three-phase + Earth – 32 A	80–415 V single-phase + Neutral + Earth – 16 A
Overall dim. H x W x D (mm)	Three-phase 400 V + Neutral + Earth – 16 A	Three-phase 400 V + Neutral + Earth – 16 A	
Packaged dim. H x W x D (cm)	52 / 55	52 / 55	52 / 55
EAN Code	86,5-87,5 x 60 x 60	86,5-87,5 x 60 x 60	85-87,7 x 60 x 60
Dim. emb. H x L x P (cm)	95 x 65 x 65	95 x 65 x 65	95 x 65 x 65
Code EAN	RB 801 636 186 8229	PNX 801 636 186 8236	RB 801 636 186 8212

60 x 60 cm Prodiges cookers

Combination

Product numbers	RMP 6376	RMC 6322	RMC 6321
Style	Prodige	Prodige	Prodige
Model	MF pyro	MF cata	MF cata
Size	60 x 60	60 x 60	60 x 60
Colours	RBX / PNX	IN	RB / PNX
Installable	x	x	x
Adjustable wheels/feet	2 / -	2 metal / -	2 metal / -
Storage	extra-large drawer	extra-large drawer	extra-large drawer
Cover	enamelled steel	Glass	enamelled steel
HOB	combination 3+1	combination 3+1	combination 3+1
Front left burner	quick-heat gas	quick-heat gas	quick-heat gas
Power (W) – Ø (mm)	2500	2700	2700
Rear left burner	electric plate	electric plate	electric plate
Power (W) – Ø (mm)	2000 - 180	2000 - 180	2000 - 180
Front right burner	Mijorose® auxiliary gas	Mijorose® auxiliary gas	Mijorose® auxiliary gas
Power (W) – Ø (mm)	1000	1000	1000
Rear right burner	ultrafast gas	ultrafast gas	ultrafast gas
Power (W) – Ø (mm)	3500	3500	3500
Total gas power	7000 W	7200 W	7200 W
Total electric power	2000 W	2000 W	2000 W
Ignition	Integrated electronic	Integrated electronic	Integrated electronic
Flame failure device	x	x	x
Pan stands	Cast iron	cast enamelled steel	cast enamelled steel
OVEN	electric	electric	electric
Type	multifonction	multifonction	multifonction
Cleaning	pyrolytic	catalyse	catalyse
Programmer	New Préco	90 min. timer	90 min. timer
Variable recommended temperatures	x	-	-
Temperature regulation	electronic sensor	thermostat	thermostat
No of functions	9	7	7
Natural convection	x	x	x
Fan-assisted	x	x	x
Turbogrill	x	x	x
Grill	x	x	x
Roasting jack	x	x	x
Defrost	x	x	x
Automatic programs	6		
Oven power	2800 W	2000 W	2000 W
Maximum temperature	450°C	265°C	265°C
Grill	electric	electric	electric
Grill power	2100 W	1500 W	1500 W
Cool door	x		
Inner door	solid glass	solid glass	solid glass
Volume	54 L	52 L	52 L
CONSUMPTION			
At 200 °C	0,4 kWh	0,38 kWh	0,38 kWh
1 hr. at 200 °C	0,5 kWh	0,64 kWh	0,64 kWh
Pyrolytic cycle	3 kWh		
Energy class	A	A	A
ACCESSORIES			
Flat pan stand	2	2	2
Dripping pan	1	1	1
Roasting jack	x	x	x
CONNECTION/DIMENSIONS			
Connection	230V single-phase + Earth – 20 230V three-phase + Earth – 16 A 400 V three-phase + Neutral + Earth – 16 A	220-240 V single-phase + 20 - 10 -16 A	220-240 V single-phase + 20 - 10 -16 A
Packaged/unpackaged weight (kg)	52 / 55	52 / 55	52 / 55
Overall dimensions H x W x D (cm)	86,5-87,5 x 60 x 60	85-87,7 x 60 x 60	85-87,7 x 60 x 60
Packaged dim. H x W x D (cm)	95 x 65 x 65	95 x 65 x 65	95 x 65 x 65
EAN Code	RBX 801 636 186 8137 PNX 801 636 186 8205	IN 801 636 186 8168	RB 801 636 186 8144 PNX 801 636 186 8151

60 x 60 cm cookers

Gas

Product numbers	RGP 6376	RGC 6312	RGC 6311	RGC 6112	RGC 6111
Style	Prodige	Prodige	Prodige	Prodige	Prodige
Model	MF pyro	MF cata	MF cata	CN cata	CN cata
Size	60 x 60	60 x 60	60 x 60	60 x 60	60 x 60
Colours	RBX	IN	RB	IN	RB
Installable	x	x	x	x	x
Adjustable wheels/feet	2 / -	2 metal / -	2 metal / -	2 metal / -	2 metal / -
Storage	XL drawer	XL drawer	XL drawer	XL drawer	XL drawer
Cover	enamelled steel	Glass	enamelled steel	Glass	enamelled steel
HOB	GAS	GAS	GAS	GAS	GAS
Front left burner	quick-heat gas	quick-heat gas	quick-heat gas	quick-heat gas	quick-heat gas
Power (W) – Ø (mm)	2500	2700	2700	2700	2700
Rear left burner	semi-rapid gas	semi-rapid gas	semi-rapid gas	semi-rapid gas	semi-rapid gas
Power (W) – Ø (mm)	1750	1700	1700	1700	1700
Front right burner	Mijorose® auxiliary gas	Mijorose® auxiliary gas	Mijorose® auxiliary gas	Mijorose® auxiliary gas	Mijorose® auxiliary gas
Power (W) – Ø (mm)	1000	1000	1000	1000	1000
Rear right burner	ultrafast gas	ultrafast gas	ultrafast gas	ultrafast gas	ultrafast gas
Power (W) – Ø (mm)	3500	3500	3500	3500	3500
Total gas power	8750 W	7200 W	7200 W	7200 W	7200 W
Ignition	Integrated electronic	Integrated electronic	Integrated electronic	Integrated electronic	Integrated electronic
Flame failure device	x	x	x	x	x
Pan stands	Cast iron	cast enamelled steel	cast enamelled steel	cast enamelled steel	cast enamelled steel
OVEN	electric	electric	electric	Gaz	Gaz
Type	multifonction	multifonction	multifonction	Natural convection	Natural convection
Cleaning	pyrolytic	catalyse	catalyse	catalyse	catalyse
Programmer	New Préco	90 min. timer	90 min. timer	60 min. timer	60 min. timer
Variable recommended temperatures	x	-	-	-	-
Temperature regulation	electronic sensor	thermostat	thermostat	thermostat	thermostat
No of functions	9	7	7	3	3
Natural convection	x	x	x	x	x
Fan-assisted	x	x	x		
Turbogrill	x	x	x		
Grill	x	x	x	x	x
Roasting jack	x	x	x	x	x
Defrost	x	x	x	x	x
Automatic programs	6				
Oven power	2800 W	2000 W	2000 W		
Maximum temperature	450°C	265°C	265°C	265°C	265°C
Grill	electric	electric	electric	electric	electric
Grill power	2100 W	1500 W	1500 W	1500 W	1500 W
Cool door	x				
Inner door	solid glass	solid glass	solid glass	solid glass	solid glass
Volume	54 L	52 L	52 L	52 L	52 L
CONSUMPTION					
At 200 °C	0,4 kWh	0,38 kWh	0,38 kWh		
1 hr. at 200 °C	0,5 kWh	0,64 kWh	0,64 kWh		
Pyrolytic cycle	3 kWh				
Energy class	A	A	A	A	A
ACCESSORIES					
Flat pan stand	2	2	2	2	2
Dripping pan	1	1	1	2	2
Roasting jack	x	x	x	x	x
CONNECTION/DIMENSIONS					
Connection	230 V single-phase + Earth – 20 A 230V three-phase + Earth – 16 A 400 V three-phase + Neutral + Earth – 16 A	220-240 V single-phase + 20 - 10-16 A	220-240 V single-phase + 20 - 10-16 A	220-240 V single-phase + 20 - 10-16 A	220-240 V single-phase + 20 - 10-16 A
Packaged/unpackaged weight (kg)	52 / 55	52 / 55	52 / 55	52 / 55	52 / 55
Overall dimensions H x W x D (cm)	86,5-87,5 x 60 x 60	85-87,7 x 60 x 60	85-87,7 x 60 x 60	85-87,7 x 60 x 60	85-87,7 x 60 x 60
Packaged dim. H x W x D (cm)	95 x 65 x 65	95 x 65 x 65	95 x 65 x 65	95 x 65 x 65	95 x 65 x 65
EAN Code	RBX 801 636 186 8199 IN 801 636 186 8151	IN 801 636 186 8175	RB 801 636 186 8182	IN 801 636 187 0420	RB 801 636 187 0437

Ceramic glass 3 + 1 combination

Product numbers	RVC 5318	RMC 5311
Style	Prodige	Prodige
Model	MF cata	MF cata
Size	50 x 60	50 x 60
Colours	RB / PN	RB
Installable		
Adjustable wheels/feet	4	2 metal finish
Storage	door	door
Cover	-	metal
HOB	CERAMIC GLASS	COMBINATION
Front left burner	high light	semi-rapid gas
Power (W) – Ø (mm)	1800 - 180	1700
Rear left burner	high light	electric
Power (W) – Ø (mm)	1200 - 140	1000 - 145
Front right burner	high light	gaz auxiliaire
Power (W) – Ø (mm)	1200 - 140	1000
Rear right burner	high light	quick-heat gas
Power (W) – Ø (mm)	1800 - 180	2700
Total gas power	6000 W	5400 W
Ignition		Integrated electronic
Flame failure device		x
Pan stands		matt enamelled steel
OVEN	Electric	Electric
Type	multifonction	Multifonction
Cleaning	catalytic	catalytic
Programmer	90' timer	90' timer
Temperature regulation	thermostat	thermostat
No of functions	7	7
Lower heat only		
Lower heat with fan	x	x
Convection naturelle	x	x
Fan-assisted	x	x
Grill	x	x
Fan grill	x	x
Roasting jack	x	x
Natural Convection Max. Temperature	265°C	265°C
Grill	Electric	Electric
Grill power	1000 W	1000W
Cool door		
Inner door	standard	standard
Volume	40 L	44 L
CONSUMPTION		
At 200 °C		
1 hr. at 200 °C	1,35 kWh	1,35 kWh
Pyrolytic cycle		
Energy class	A	A
ACCESSORIES		
Flat pan stand	1	1
Dripping pan	2	2
Roasting jack	x	x
CONNECTION/DIMENSIONS		
Connection	230V single-phase + Earth – 32 A 230V three-phase + Earth – 25 A Three-phase 400 V + Neutral + Earth – 16 A	230V single-phase + Earth – 16 A
Packaged/unpackaged weight (kg)	42 / 45	42 / 45
Overall dimensions H x W x D (cm)	85/86,5 x 50 x 60	85/86,5 x 50 x 60
Packaged dim. H x W x D (cm)	95 x 56 x 65	95 x 56 x 65
EAN Codes	RB 801 636 186 7277 PN 801 636 186 7284	RB 801 636 186 7260

Eco-contribution: A civic gesture for our environment. The recommended retail prices in this catalogue are expressed excluding the contribution for the elimination of waste electrical and electronic equipment (WEEE) in accordance with article L541-10-2 of the French Environmental Code.

By paying the Eco-contribution, you are helping to finance the collection and recycling of WEEE.

[Hobs/Hoods/Microwave ovens: €2 [tax included]/Large refrigeration appliances > 40 kg: €13 [tax included]/Large refrigeration and non-refrigeration appliances < 40 kg: €6 [tax included]].

The Candy Hoover Group, in a constant effort to provide customer satisfaction, reserves the right to modify or amend the information contained herein, namely information concerning the technical and style specifications of products, at any moment without forewarning, without any liability attaching to the Candy Hoover Group. The images, text, slogans, sketches, and pictures from this catalogue are the property of the Candy Hoover Group or third parties to whom their use has been authorised. All prices are given for reference only and exclude Eco-contributions. Our resellers are free to set prices as allowed by current regulations.

ROSIÈRES 
EXPERT APPLIANCES