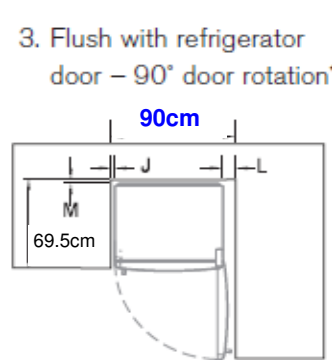
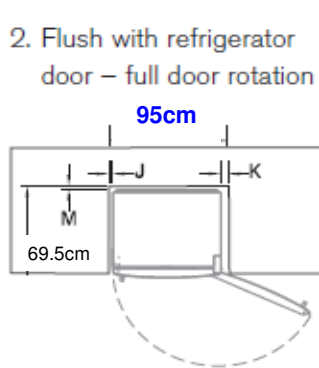
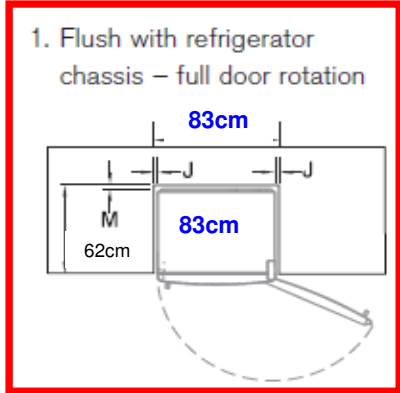
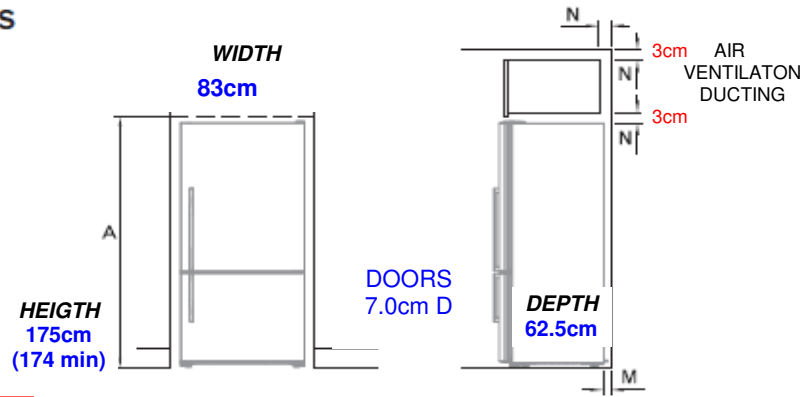


**CABINETRY DIMENSIONS**  
**E522B**



**E522BRXFDU4**

**E522BRXFD4**



**Refrigerator**

EZKleen Stainless Steel flat door  
 Designer with Designer handle

**Capacity:** 352 litres (12.40 cu.ft) Refrigerator \*\* 351 lt Refrigerator (with I&W)  
 121 litres (4.17 cu.ft) Freezer \*\* 118 lt Freezer (With I&W)  
 473 litres (16.57 cu.ft) Total \*\* 469 lt Total (With I&W)

**Energy rating:** **A+**

**Energy usage:** 381kW per year

**Noise level:** 43dB

**Performance:** Active Smart™ system, Frost free freezer, Adaptive defrost, Humidity control system, Humidity control lid, Sabbath mode

**Refrigerator:** Water dispenser, Door alarm, 4 Adjustable glass shelves, Bottle rack, 2 Full width adjustable door shelves, 2 Half width adjustable door shelves, 2 Covered door shelves, 2 Egg trays, Halogen light

**Freezer:** Built-in ice maker, 1 Large plastic bin, 2 Small plastic bins, Ice bin and scoop, 1 Centre roll out tray, Door alarm

**Accessories:** Water filter (part number 836848)

**REFRIGERATOR DIMENSIONS:**

**H 171.5cm X W 79.0cm X D 69.5cm**

\*DEPTH: 62.5cm + 7.0cm (DOORS)  
 1) EXCLUDING HANDLES  
 2) INCLUDING EVAPORATOR (BACK)

**For I&W Models use HALF INCH TAP**