

**FISHER & PAYKEL BUILT IN HOOD 83cm**

**MODEL: HP90IHCB3**

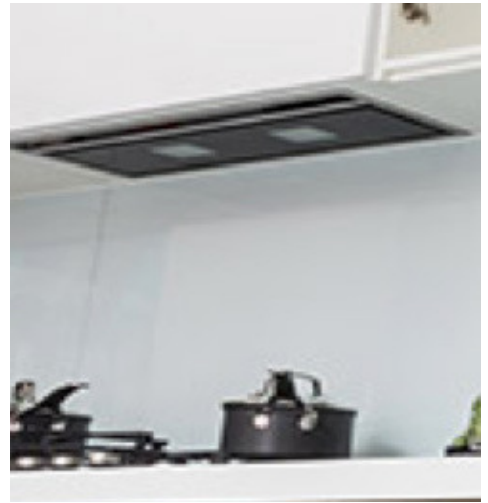


**Controls**

- Capacitive touch controls
- Timer function
- Dimmable lights

**Performance**

- Perimeter extraction technology
- Fan speeds 5
- 



**Fan ratings**

Maximum air movement 525m<sup>3</sup>/hr  
**Boost mode airflow 710**  
 Maximum decibel rating 55dBA



**Cleaning**

Dishwasher safe aluminium mesh filters 3

Filter cleaning alert •

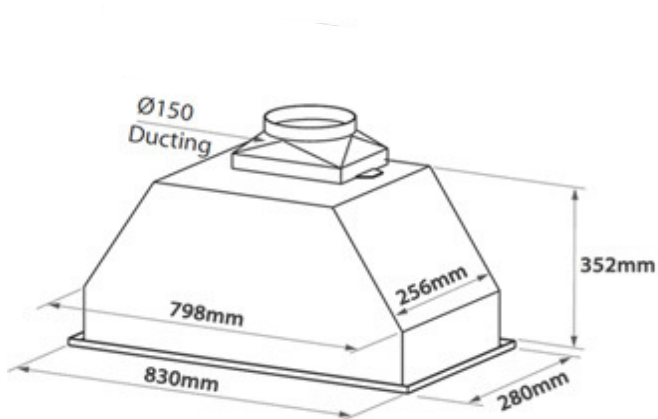


Fig.1 Powerpack dimensions

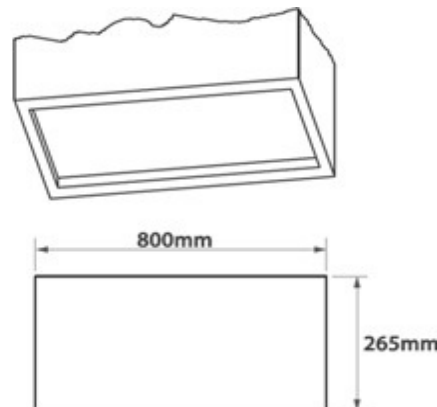


Fig.2 Cutout dimensions

**CUT OUT DIMENSIONS:**  
**WIDTH: 800mm**  
**DEPTH: 265mm**  
**HEIGHT: 352mm**