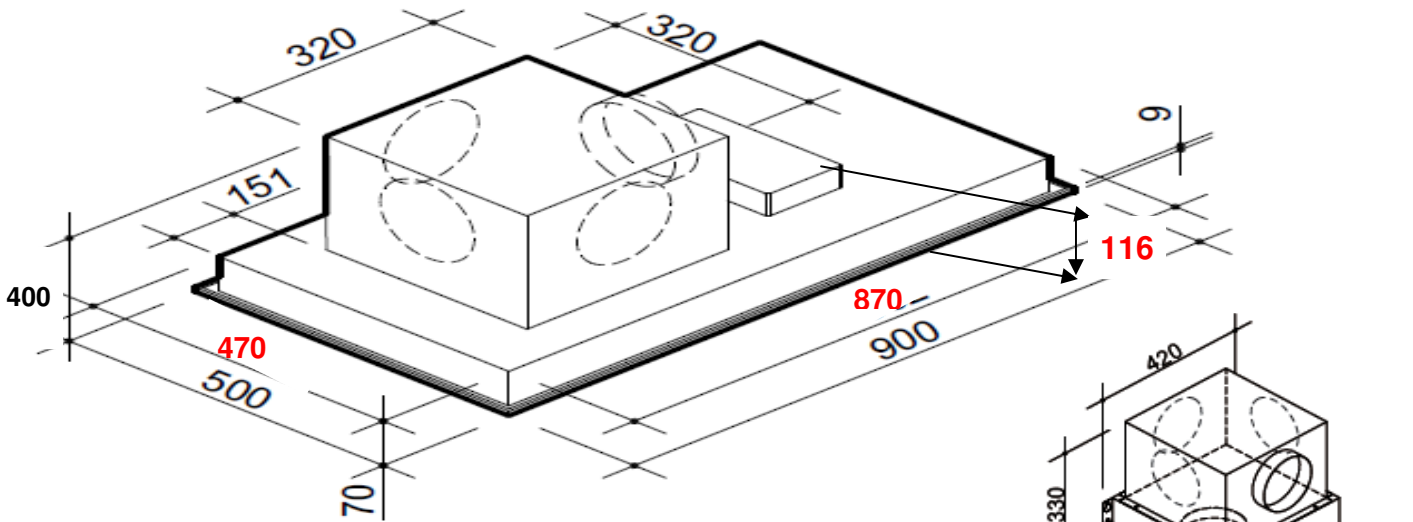
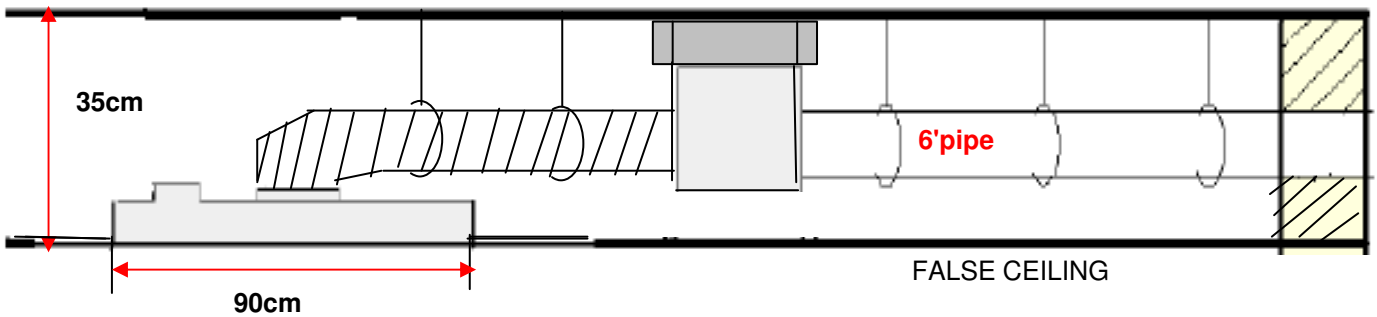


**FIM 662-90x50**



**Roof Model with Detachable Motor**



ROOF



90cm X 50cm



INOX



6 X LED'S



STAINLESS STEEL FILTER



**EXTRACTION HOLE 15cm Ø**  
**DUCTING PIPE 15cm Ø**



REMOTE CONTROL



DUCT OUT



HIGH - HC3



1000 m<sup>3</sup>/h



430 - 436 PA



I: 53  
III: 56-61



300W