

CABINERY DIMENSIONS
E442B,

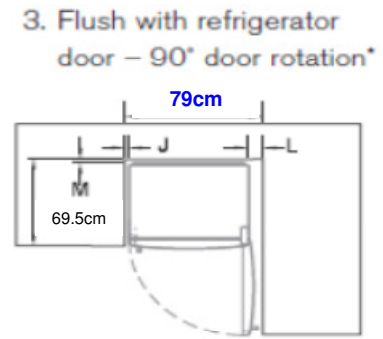
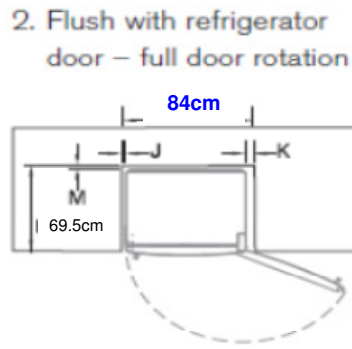
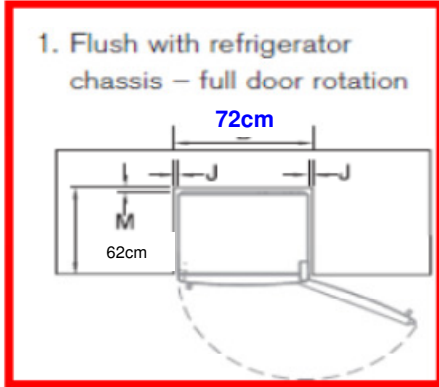
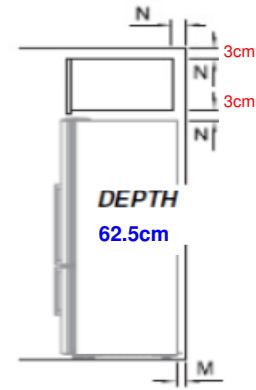
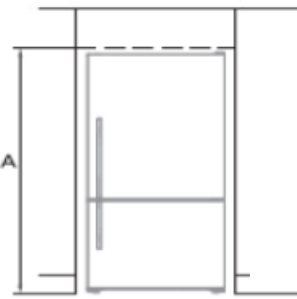
HEIGHT
175cm
 (min 174)

WIDTH
72cm

DOORS
7.0cm D

DEPTH
62.5cm

AIR
 VENTILATION
 DUCTING



E442BRXFDU4



E442BRXFD4



Refrigerator

EZKleen Stainless Steel flat door
 Designer with Designer handle

Capacity: 296 litres (10.41 cu.ft) Refrigerator ** 295 lt Refrigerator (with I&W)
 100 litres (3.43 cu.ft) Freezer ** 97 lt Freezer (With I&W)
 396 litres (13.84 cu.ft) Total ** 392 lt Total (With I&W)

Energy rating: **A+**

Energy usage: 175 kW per year / for models I&W 380kW per year

Noise level: 43dB

Performance: Active Smart™ system, Frost free freezer, Adaptive defrost, Humidity control system, Humidity control lid, Sabbath mode

Refrigerator: Water dispenser, Door alarm, 4 Adjustable glass shelves, Bottle rack, 2 Full width adjustable door shelves, 2 Half width adjustable door shelves, 2 Covered door shelves, 2 Egg trays, Halogen light

Freezer: Built-in ice maker, 1 Large plastic bin, 2 Small plastic bins, Ice bin and scoop, 1 Centre roll out tray, Door alarm

Accessories: Water filter (part number 836848)

REFRIGERATOR DIMENSIONS:

H 171.5cm X W 68.0cm X D 69.5cm

*DEPTH: 62.5cm + 7.0cm (DOORS)
 1) EXCLUDING HANDLES
 2) INCLUDING EVAPORATOR (BACK)