



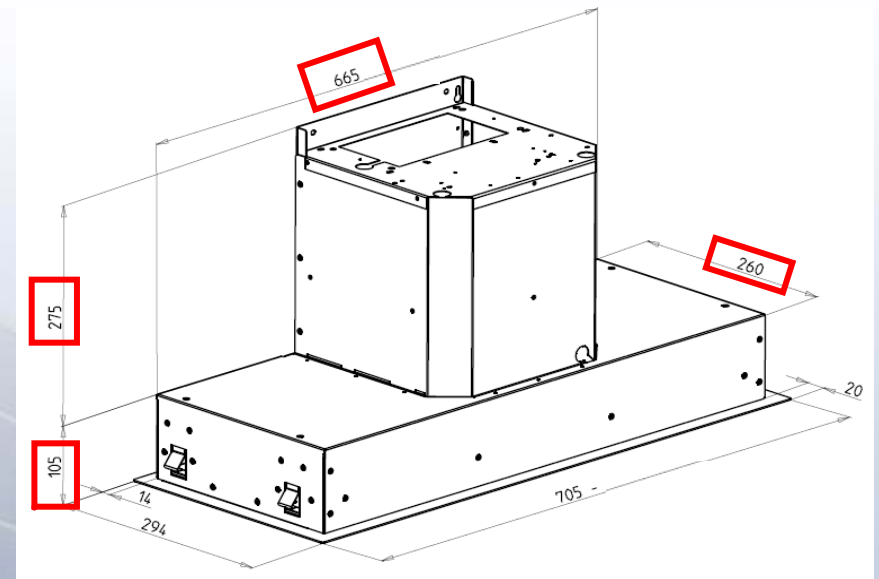
Model: CT Style - Technical Features

- Material: Inox 430 S7
- Size: 70.5x30cm (actual product size)
- Cut out dimensions: W66.5 x D26cm
- Extraction hole: 6 inches/15cm
- Preferred use of plastic pipe 6 inches/15cm
- 2x20 W square halogen lamps
- 1 Aluminium panel
- Peripheral aspiration
- Luminous soft touch controls

Suction Power: 750m³/h

Pressure: 436 Pascal

Sound Pressure: 53 dbA



Passion to Perform

Tecnowind³
HOODS - HOBES - COFFEE MACHINES Group