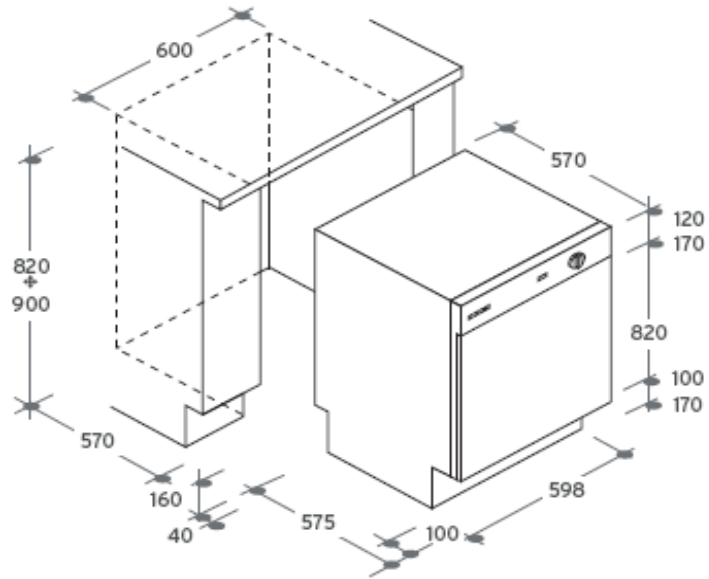


## CANDY BUILT-IN D/WASHER

## MODEL: CDS420X-S



### INTEGRATION

Semi integrated

Place Settings

12

### WASH PROGRAMMES

Number of Wash Programmes

7

Half Load

yes

### ENERGY LABEL (NORMATIVE CYCLE ECO 45°C)

Noise Power dB(A) re 1 pw - normative cycle

53

Energy Class

A+

Washing Class

A

Drying Efficiency

A

Normative Cycle Length - Eco 45°C (mins)

175

Yearly Energy Consumption (kw/h)\*\*

291

Cycle Water Consumption (lt)

15

\*\* 280 cycles estimated in a year

### DIMENSIONS

Width of Cabinet (mm)

598

Depth of Cabinet (mm)

570

Height adjustability range (mm)

820-900

**DOOR CUT OUT:** W: 59.6cm - H: 60cm

